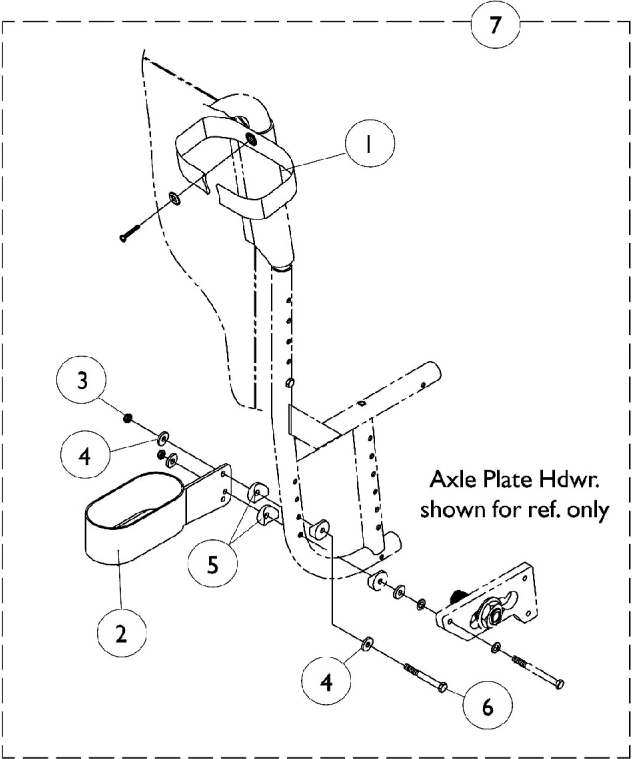
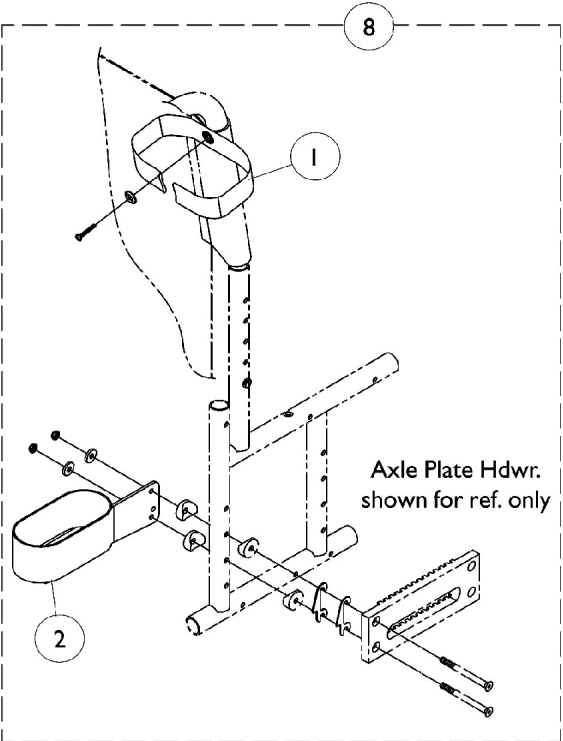


# Crutch & Cane Carrier



**MVP / Style**



**Xtra / Jr.**

## Crutch & Cane Carrier

Item Number	Note	Part Number	Description	Quantity Per	
				Package	Assembly
1		1032222	Strap, Black	1	1
2		1032219	Holder, Crutch	1	1
3		1065362	Locknut (1/4-28)	1	1
4		1026907	Washer (1/4 x 1/2 x 1/16")	1	2
5		1026099	Spacer, Coved (1/4 x 11/16 x 1/2")	1	2
6		1055349	Screw, Hex Head (1/4-28 x 2")	1	1
7	A,C	1032223	Carrier, Crutch and Cane	1	1
8	B,D	1032224	Carrier, Crutch and Cane	1	1
NOTE: A - MVP and Style B - Xtra and Jr. C - Includes items 1-6 D - Includes items 1 and 2					