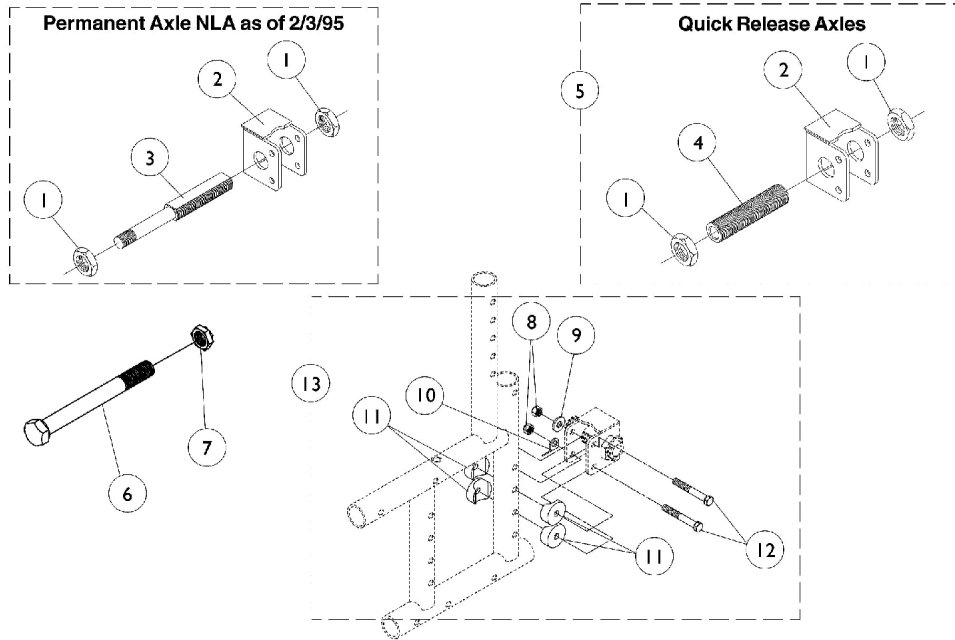


Amputee Axle Mounting Plates

Xtra and Jr.



Amputee Axle Mounting Plates Xtra and Jr.

Item Number	Note	Part Number	Description	Quantity Per	
				Package	Assembly
1	A	1025702-NLA	NLA - Hex Jam Nut (3/4-16)	1	2
1	B	1044945	Nut, Hex (3/4-16)	1	2
2		1008677-NLA	NLA - Plate, Axle, Amputee	1	1
3	C,C1	1025760-NLA	NLA - Axle, Permanent (1/2-20 x 5")	1	1
4		1026178	Bushing, Axle (2-1/2")	1	1
5		1027051-NLA	NLA - Amputee Axle Plate Assembly	2	1
6		1049227	Screw, Hex Head (1/2-20 x 5-1/4")	1	1
7		1025737	Locknut (1/2-20)	1	1
8		1065362	Locknut (1/4-28)	1	2
9		20105X000-NLA	NLA - Washer, Flat (1/4 x 5/8 x 1/16")	1	1
10		1026903-NLA	NLA - Tab, Tie Down	1	1
11		40157X020	Spacer, Coved (1/4 x 1 x 9/16")	1	4
12		1055349	Screw, Hex Head (1/4-28 x 2")	1	2
13		1028249-NLA	NLA - Kit, Amputee Axle Plate Hardware	2	1
<p>NOTE: A - Before 5/10/96 B - After 5/9/96 C - To order a replacement Amputee Permanent Axle Assembly on chairs manufactured before 2/3/95, order the following parts: Items: 5 (1 ea.), 6 (2 ea.), and 7 (2 ea.). C1 - For permanent axle applications, the permanent axle is used in place of the quick release axle and is inserted through the Axle Busing (item 4)</p>					