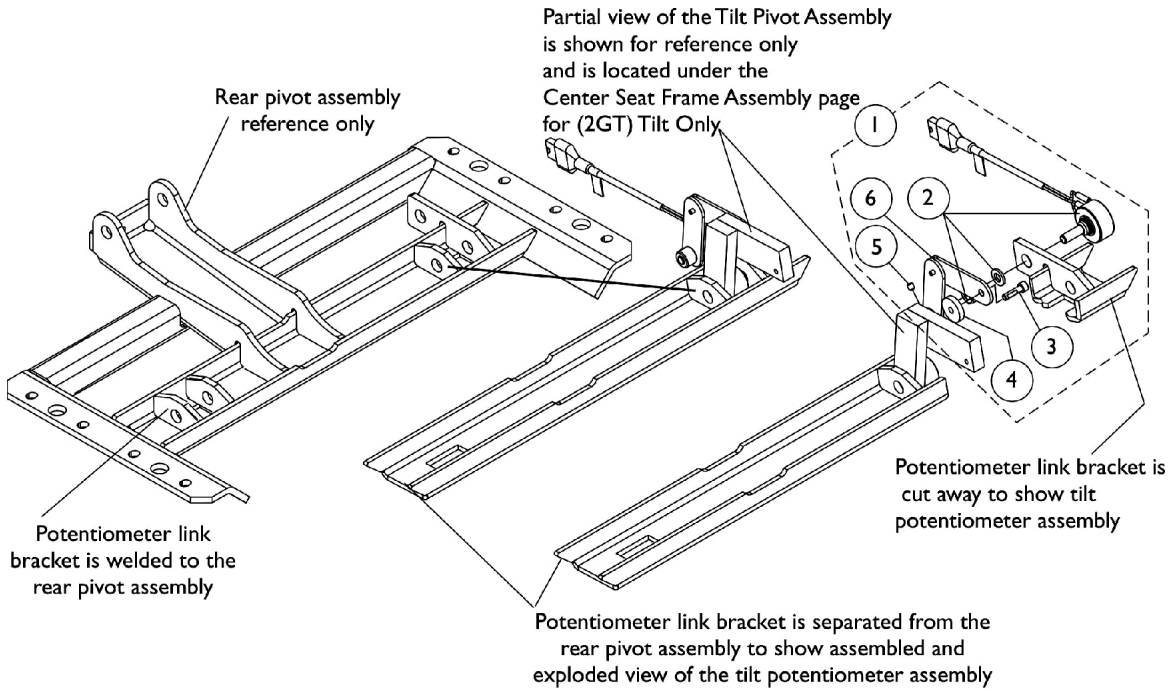
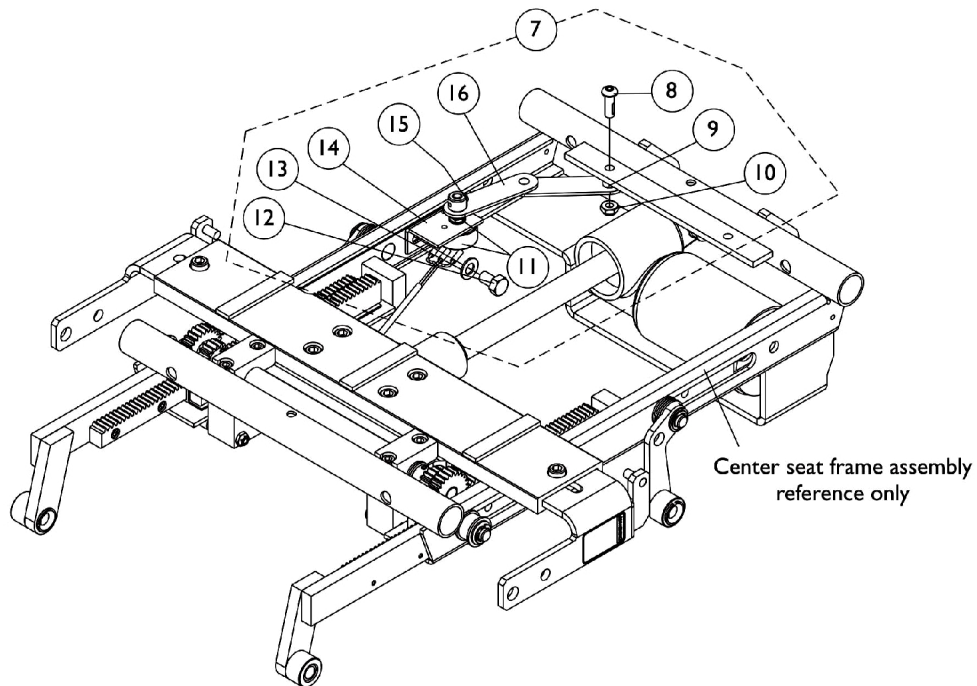


Tilt/ Recline Potentiometers and Hardware



Tilt Potentiometer Assembly



Recline Potentiometer Assembly

Tilt/ Recline Potentiometers and Hardware

Item Number	Note	Part Number	Description	Quantity Per	
				Package	Assembly
1	A	1117258-NLA	NLA - Tilt Potentiometer Assembly	1	1
2		1117256-NLA	NLA - Harness, Tilt Potentiometer with Nut and Washer	1	1
3		1091871-NLA	NLA - Screw, Socket Head (#8-32 x 5/8")	1	1
4		1029454-NLA	NLA - Washer, Nylon (3/16 x 3/4 x 5/32")	1	1
5		1008438	Screw, Set Socket Cup Point (#8-32 x 3/16")	1	1
6		1087037-NLA	NLA - Linkage, Tilt Potentiometer	1	1
7	B	1094264-NLA	NLA - Recline Potentiometer Assembly	1	1
8		1091870	Screw, Socket Button Head w/ Patch (1/4-20 x 3/4")	1	1
9		1031884-NLA	NLA - Bushing, Black or Color Chairs (9/32 x 3/8 x 11/32")	1	1
10		1025195	Locknut (1/4-20)	1	1
11		1079991-NLA	NLA - Recline Potentiometer w/ Harness, Nut and Washer	1	1
12		1061922-NLA	NLA - Screw, Hex Head w/ Patch (5/16-18 x 1/2")	1	1
13		1025704	Washer, Flat (5/16 x 5/8 x 1/16")	1	1
14		1115825-NLA	NLA - Bracket, Fixed Recline Potentiometer, Black	1	1
15		1008438	Screw, Set Socket Cup Point (#8-32 x 3/16")	1	1
16		1094263-NLA	NLA - Linkage, Recline Potentiometer	1	1

NOTE: A - Includes items 2-6
B - Includes items 8-16