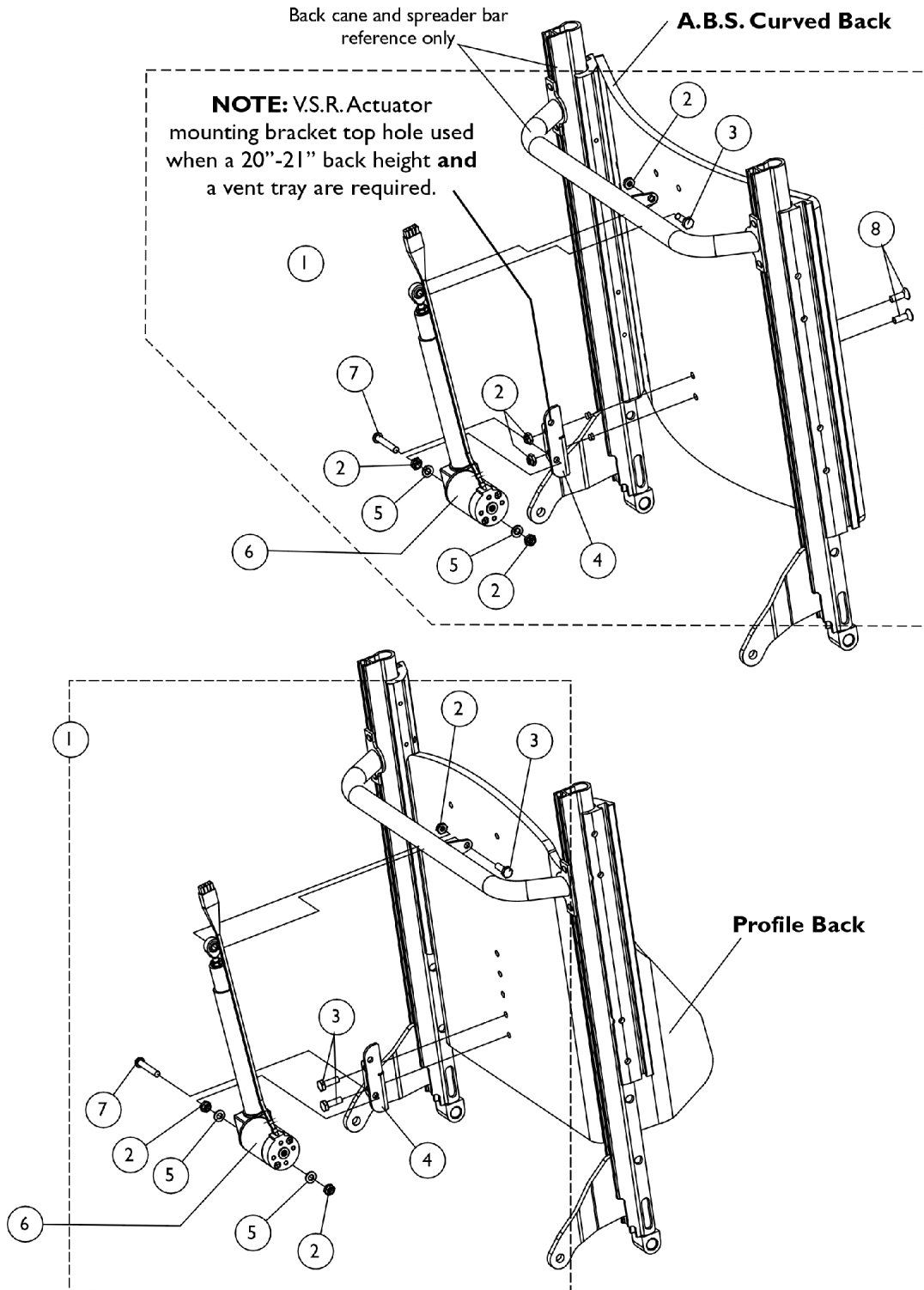


Back Assembly V.S.R. Actuator Motor and Mounting Hardware

Recline Only (2GR) and Tilt/Recline (2GTR)



Back Assembly V.S.R. Actuator Motor and Mounting Hardware

Recline Only (2GR) and Tilt/Recline (2GTR)

Item Number	Note	Part Number	Description	Quantity Per	
				Package	Assembly
1	A	1121051-NLA	NLA - Hardware, V.S.R. Actuator Mounting, A.B.S. Curved Back	1	1
1	B	1121052-NLA	NLA - Hardware, V.S.R. Actuator Mounting, Profile Back	1	1
2	C	7930323-NLA	NLA - Package, Locknut (1/4-20)	25	5
3	C	7930326-NLA	NLA - Package, Screw, Hex Head (1/4-20 x 3/4")	25	1
4		1121023-NLA	NLA - Bracket, V.S.R. Actuator Mounting, Black	1	1
5		1026907	Washer (1/4 x 1/2 x 1/16")	1	2
6	D	0001100-NLA	NLA - Actuator Motor Assembly (5" Stroke)	1	1
6	E	1113627-NLA	NLA - Actuator Motor Assembly, V.S.R. (3" Stroke)	1	1
7		1008495	Screw, Socket Button Head (1/4-20 x 1-1/2")	1	1
8		1091869-NLA	NLA - Screw, Socket Flat Head w/ Patch (1/4-20 x 3/4")	1	2
NOTE: A - Includes Items 2-5, 7 and 8 B - Includes Items 2-5 and 7 C - Profile Backs Use Quantity of 3 Only D - For Profile backs E - For A.B.S. curved backs					