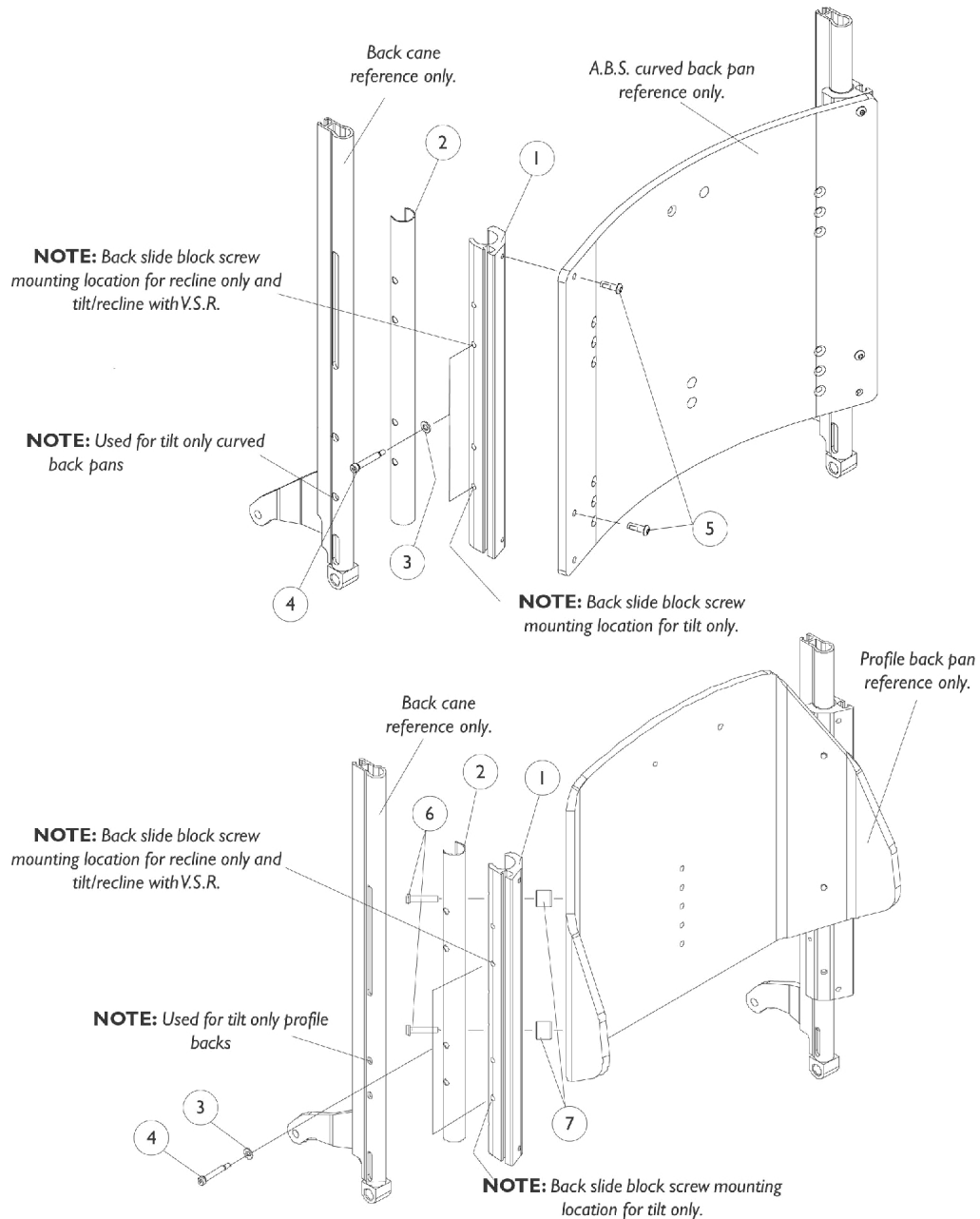


Back Assembly Mounting Hardware

A.B.S. Curved and Profile

NOTE: Items 1, 2 and attaching hardware may be required when changing back styles or back cane heights.

NOTE: See back mounting hardware under accessories when attaching a profile back to 7/8" round canes.



Back Assembly Mounting Hardware

A.B.S. Curved and Profile

NOTE: Items 1, 2 and attaching hardware may be required when changing back styles or back cane heights.

NOTE: See back mounting hardware under accessories when attaching a profile back to 7/8" round canes.

Item Number	Note	Part Number	Description	Quantity Per	
				Package	Assembly
1		See Chart	#1 Back Slide Block (Tilt Only A.B.S. Curved)	1	2
1		See Chart	#1 Back Slide Block	1	2
2		See Chart	#2 Back Slide Sleeve (Tilt Only A.B.S. Curved)	1	2
2		See Chart	#2 Back Slide Sleeve	1	2
3		1026907	Washer (1/4 x 1/2 x 1/16")	1	2
4		1000212	Screw, Shoulder Hex Socket (1/4 x 1-1/4", #10-24)	1	2
5		1091870	Screw, Socket Button Head w/ Patch (1/4-20 x 3/4")	1	4
6	B	1008432	Screw, Socket Button Head (1/4-20 x 1-1/4")	1	4
6	F	1091870	Screw, Socket Button Head w/ Patch (1/4-20 x 3/4")	1	4
7		1090131-NLA	NLA - Spacer (1/4 x 3/4 x 5/8")	1	4
	A,C	1086994-NLA	NLA - Hardware, Attaching, A.B.S. Curved Back	1	1
	A,D	1086996-NLA	NLA - Hardware, Attaching, Profile Back (17",19",21" W)	1	1
	A,E	1086995-NLA	NLA - Hardware, Attaching, Profile Back (16",18",20",22" W)	1	1

NOTE: A - Not Shown
 B - 17",19" and 21" Wide
 C - Includes Items 3-5
 D - Includes Items 3,4,6 and 7
 E - Includes Items 3,4 and 6
 F - 16",18", 20" and 22" Wide

Item #1 Back Slide Block (Tilt Only A.B.S. Curved)

Seating System	Back Type	20" Back Height	21"-22" Back Height	23"-24" Back Height	25" Back Height
Tilt Only	Curved	1082916-NLA	1082917-NLA	1082918-NLA	1082919

Item #1 Back Slide Block

Seating System	Back Type	20"-21" Back Height	22"-23" Back Height	24"-25" Back Height	26" Back Height
Tilt Only	Profile	1082915-NLA	1082915-NLA	1082915-NLA	1082915-NLA
Recline Only and Tilt/Recline w/VSR	Curved	1082915-NLA	1082916-NLA	1082917-NLA	1082918-NLA
Recline Only and Tilt/Recline w/VSR	Profile	1082915-NLA	1082915-NLA	1082915-NLA	1082915-NLA

Back Assembly Mounting Hardware

A.B.S. Curved and Profile

NOTE: Items 1, 2 and attaching hardware may be required when changing back styles or back cane heights.

NOTE: See back mounting hardware under accessories when attaching a profile back to 7/8" round canes.

Item #2 Back Slide Sleeve (Tilt Only A.B.S. Curved)

Seating System	Back Type	20" Back Height	21"-22" Back Height	23"-24" Back Height	25" Back Height
Tilt Only	Curved	1082944-NLA	1082945-NLA	1082946-NLA	1082947-NLA

Back Assembly Mounting Hardware

A.B.S. Curved and Profile

NOTE: Items 1, 2 and attaching hardware may be required when changing back styles or back cane heights.

NOTE: See back mounting hardware under accessories when attaching a profile back to 7/8" round canes.

Item #2 Back Slide Sleeve

Seating System	Back Type	20"-21" Back Height	22"-23" Back Height	24"-25" Back Height	26" Back Height
Tilt Only	Profile	1082943-NLA	1082943-NLA	1082943-NLA	1082943-NLA
Recline Only and Tilt/Recline w/ VSR	Curved	1082943-NLA	1082944-NLA	1082945-NLA	1082946-NLA
Recline Only and Tilt/Recline w/ VSR	Profile	1082943-NLA	1082943-NLA	1082943-NLA	1082943-NLA