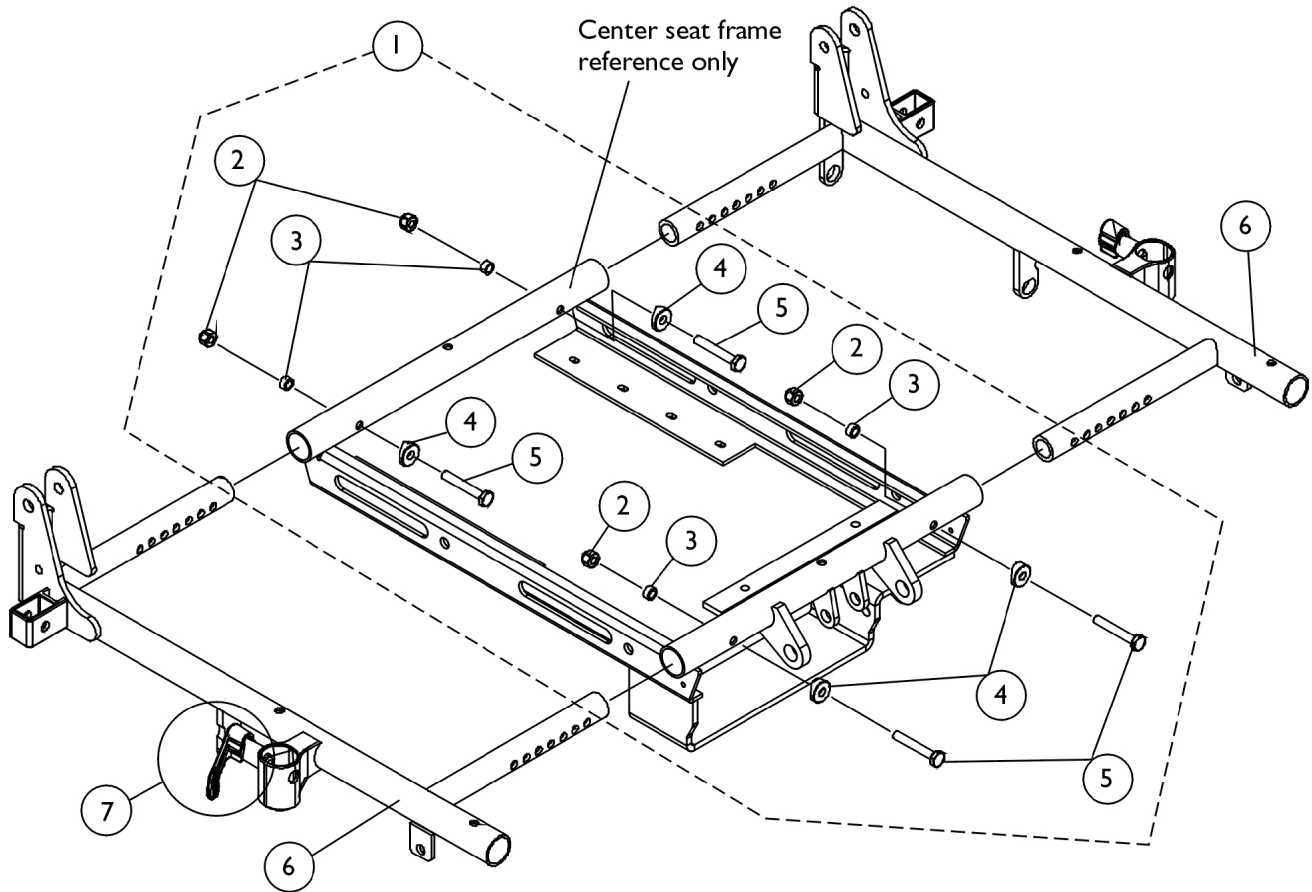


Side Frames

NOTE: A new cross beam may be required when changing seat width for a Recline Only or Tilt/Recline system. See Center Seat Frame Assembly page.



Side Frames

NOTE: A new cross beam may be required when changing seat width for a Recline Only or Tilt/Recline system. See Center Seat Frame Assembly page.

Item Number	Note	Part Number	Description	Quantity Per	
				Package	Assembly
1	A	1087002-NLA	NLA - Hardware, Side Frame Mounting	1	1
2		7930333	Locknut (1/4-20)	25	4
3		1047449-NLA	NLA - Spacer (1/4 x 3/8 x 3/16")	1	4
4		1026099	Spacer, Coved (1/4 x 11/16 x 1/2")	1	4
5		1037610	Screw, Hex Head (1/4-20 x 1-5/8")	1	4
6		1086976-NLA	NLA - Side Frame w/ Arm Lock Assembly - Right (16 - 17" D)	1	1
6		1086977-NLA	NLA - Side Frame w/ Arm Lock Assembly - Left (16 - 17" D)	1	1
6		1086978-NLA	NLA - Side Frame w/ Arm Lock Assembly - Right (18 - 19" D)	1	1
6		1086979-NLA	NLA - Side Frame w/ Arm Lock Assembly - Left (18 - 19" D)	1	1
6		1086980-NLA	NLA - Side Frame w/ Arm Lock Assembly - Right (20 - 21" D)	1	1
6		1086981-NLA	NLA - Side Frame w/ Arm Lock Assembly - Left (20 - 21" D)	1	1
6		1086982-NLA	NLA - Side Frame w/ Arm Lock Assembly - Right (22" D)	1	1
6		1086983-NLA	NLA - Side Frame w/ Arm Lock Assembly - Left (22" D)	1	1
7	B	7930347-NLA	NLA - Package, Pin, Roll (5/64 x 5/8")	25	2
7	B	47471X074	Spring, Arm Lock	1	2
7	B	1028594	Pin, Arm Lock, Black	1	2
7	B	1090768	Kit, Lock Handle w/Rivets (Pair)	1	1

NOTE: A - Includes Items 2-5
B - Arm Lock Assembly