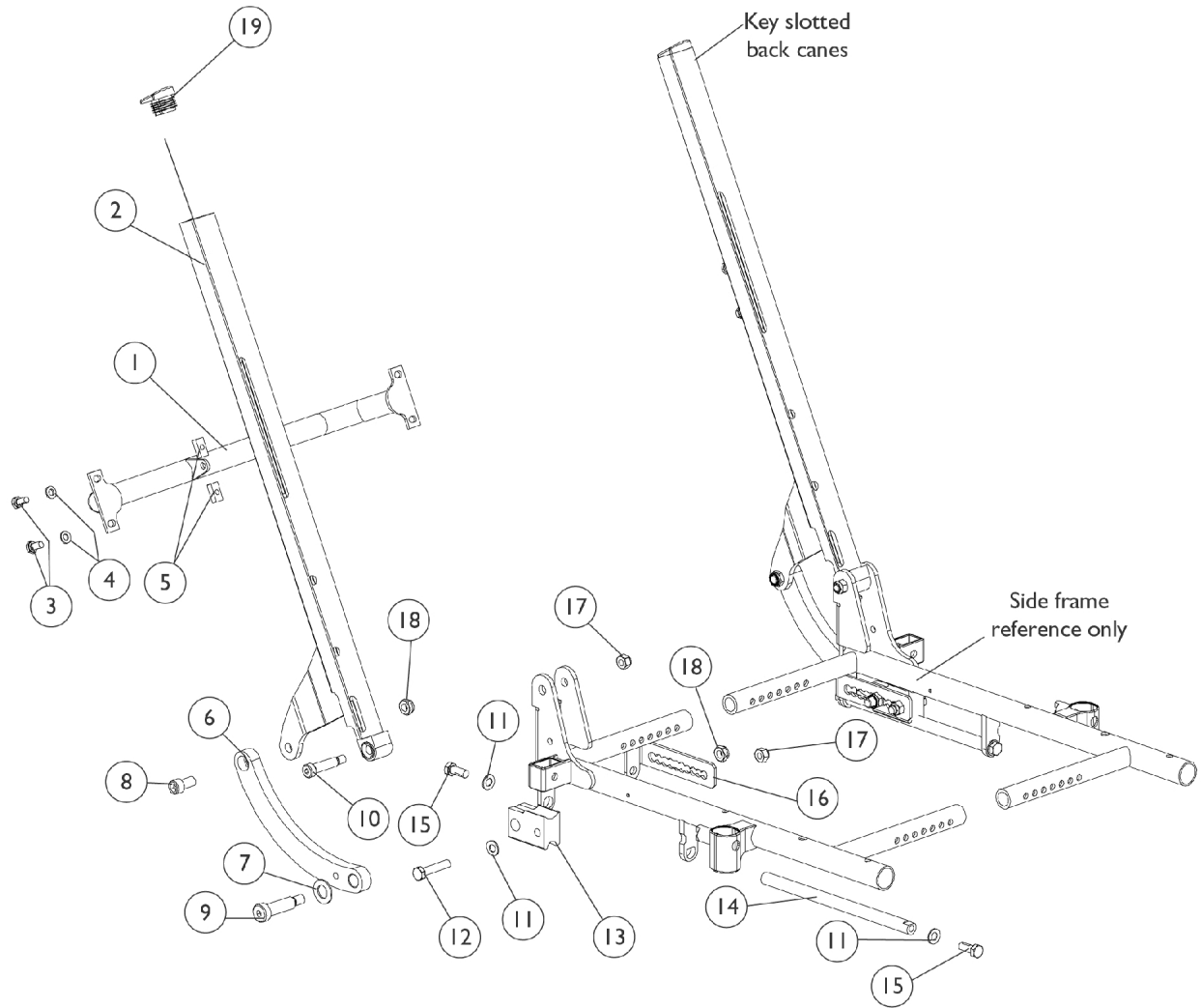


Back Cane and Spreader Bar Assembly

Tilt Only (2GT)

NOTE: When changing back cane heights, new Back Assembly Mounting Hardware may be required. See Back Assembly Mounting Hardware page



Back Cane and Spreader Bar Assembly

Tilt Only (2GT)

NOTE: When changing back cane heights, new Back Assembly Mounting Hardware may be required. See Back Assembly Mounting Hardware page

| Item Number | Note | Part Number | Description | Quantity Per | |
|-------------|------|-------------|--|--------------|----------|
| | | | | Package | Assembly |
| 1 | | See Chart | #1 Spreader Bar | 1 | 1 |
| 2 | | See Chart | #2 Back Canes | 1 | 2 |
| 3 | | 1078214 | Screw, Hex Head w/ Patch (1/4-20 x 1/2") | 1 | 4 |
| 4 | | 1026907 | Washer (1/4 x 1/2 x 1/16") | 1 | 4 |
| 5 | | 1082699 | T-Nut (1/4-20) | 1 | 4 |
| 6 | | 1099540-NLA | NLA - Link, Curved, Tilt, Black - Right | 1 | 1 |
| 6 | | 1099541-NLA | NLA - Link, Curved, Tilt, Black - Left | 1 | 1 |
| 7 | | 1031673-NLA | NLA - Washer, Nylon (35/64 x 1 x 1/16") | 1 | 2 |
| 8 | | 1099527-NLA | NLA - Screw, Socket Head (3/8-16 x 3/4") | 1 | 2 |
| 9 | | 1021851-NLA | NLA - Bolt, Socket Head Shoulder (1/2 x 1-1/2") | 1 | 2 |
| 10 | | 1062604 | Screw, Shoulder Hex Socket (3/8 x 1-1/4", 5/16-18) | 1 | 2 |
| 11 | | 1025704 | Washer, Flat (5/16 x 5/8 x 1/16") | 1 | 6 |
| 12 | | 1070398-NLA | NLA - Screw, Hex Head (5/16-18 x 1-1/2") | 1 | 2 |
| 13 | | 1082725-NLA | NLA - Block, Slide | 1 | 2 |
| 14 | | 1082724-NLA | NLA - Rod, Slide | 1 | 2 |
| 15 | | 1039860 | Screw, Hex Head w/ Patch (5/16-18 x 3/4") | 1 | 2 |
| 16 | | 1087014-NLA | NLA - Bracket, Connecting, Black - Right | 1 | 1 |
| 16 | | 1087015-NLA | NLA - Bracket, Connecting, Black - Left | 1 | 1 |
| 17 | | 1026158 | Locknut (5/16-18) | 1 | 4 |
| 18 | | 40363X000 | Hex Nut (3/8"-16) | 1 | 4 |
| 19 | | 1082829-NLA | NLA - Plug Button, Back Cane, Black | 1 | 2 |

Item #1 Spreader Bar

| 16" Wide | 17" Wide | 18" Wide | 19" Wide | 20" Wide | 21" Wide | 22" Wide |
|-------------|---------------------------|-------------|---------------------------|---------------------------|-------------|---------------------------|
| 1086101-NLA | See Note See Note(s) A | 1086103-NLA | See Note See Note(s) A | See Note See Note(s) A | 1086106-NLA | See Note See Note(s) A |

NOTE: A - No longer available as a service part.

Item #2 Back Canes

Back Height

| Side | 20-21" High | 22-23" High | 24-25" High |
|-------|-------------|-------------|-------------|
| Right | 1086948-NLA | 1086950-NLA | 1086952-NLA |
| Left | 1086949-NLA | 1086951-NLA | 1086953-NLA |