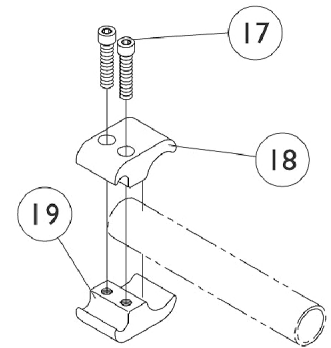
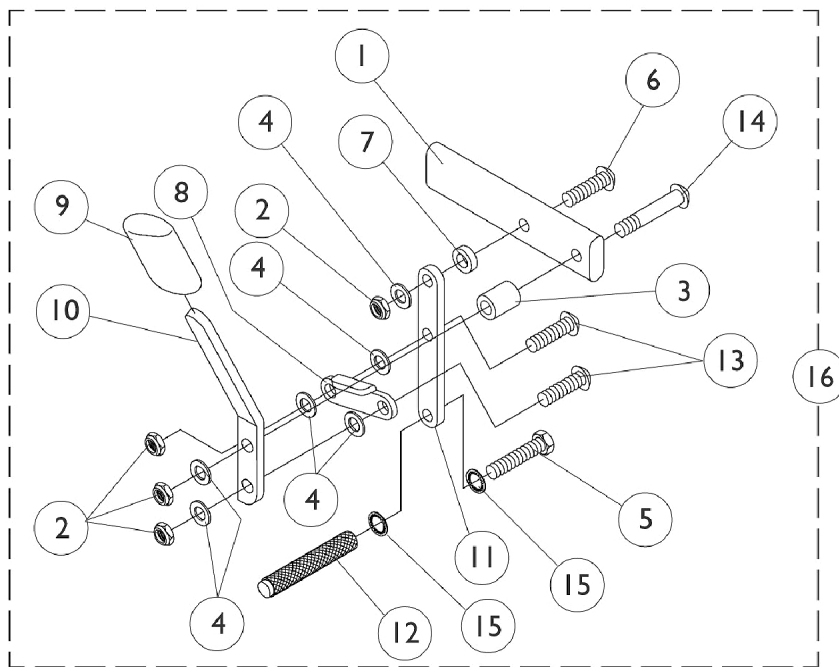


High Mount Wheel Locks

Push to Lock - MVP / Xtra / Jr. / Style



High Mount Wheel Locks

Push to Lock - MVP / Xtra / Jr. / Style

Item Number	Note	Part Number	Description	Quantity Per	
				Package	Assembly
1		1028399-NLA	NLA - Strap, Wheel Lock	1	1
2		1025765	Locknut (1/4-28)	1	4
3		1020363-NLA	NLA - Spacer (1/4 x 1/2 x 1/2")	1	1
4		1026103	Washer, Nylon (1/4 x 1/2 x 1/32")	1	6
5	A	1055346-NLA	NLA - Screw, Hex Head (1/4-28 x 3/4")	1	1
6		1055306-NLA	NLA - Screw, Button Head Cap (1/4-28 x 7/8")	1	1
7		1028411-NLA	NLA - Spacer (1/4 x 1/2 x 5/32")	1	1
8		1018733-NLA	NLA - Link, Stop, Black	1	1
9		1006490	Tip, Plastic, Black	1	1
10		1038344-NLA	NLA - Handle, Wheel Lock, Black - Right	1	1
10		1038345-NLA	NLA - Handle, Wheel Lock, Black - Left	1	1
11		1028416-NLA	NLA - Link, Wheel Lock, Black	1	1
12	A	1029420-NLA	NLA - Shoe, Wheel Lock	1	1
13		1055304	Screw, Socket Button Head (1/4-28 x 5/8")	1	2
14		1059284-NLA	NLA - Screw, Socket Button Head (1/4-28 x 1-1/4")	1	1
15		1026108	Lockwasher (1/4 x 15/32 x 1/64")	1	1
16		1029423	Wheel Lock, High Mount, Push to Lock - Right	1	1
16		1029424	Wheel Lock, High Mount, Push to Lock - Left	1	1
17		1027268	Screw, Allen Head (1/4-20 x 1")	1	2
18		1026097-NLA	NLA - Clamp, Wheel Lock, Non-Threaded (1")	1	1
19		1026096-NLA	NLA - Clamp, Wheel Lock, Threaded (1")	1	1

NOTE: A - Order part number 1063507 (Wheel Lock Shoe Kit) for all Chairs Made Before 10/25/96.