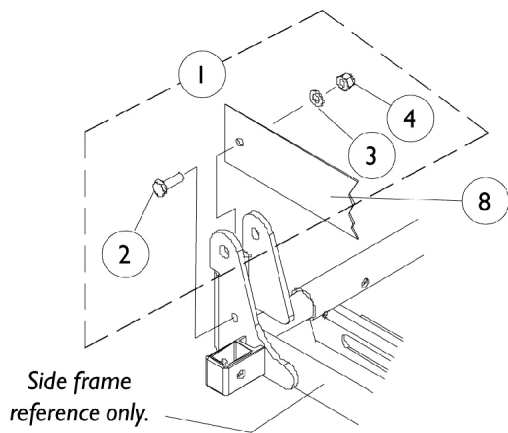
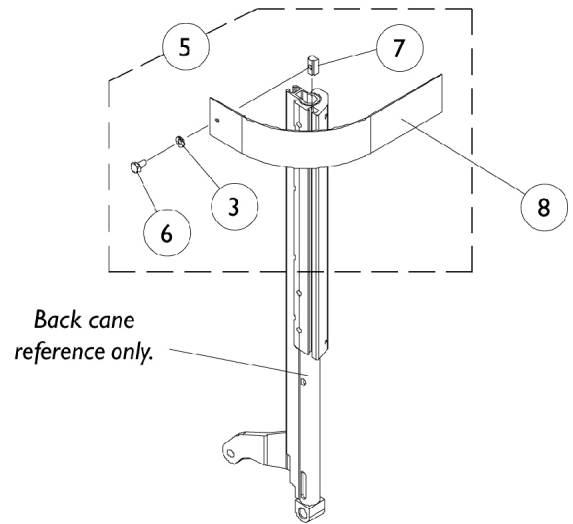


Miscellaneous Accessories



**Seat Positioning Strap
Attaching Hardware**



**Chest Positioning Strap
Attaching Hardware**

Miscellaneous Accessories

| Item Number | Note | Part Number | Description | Quantity Per | |
|-------------|-------|-------------|---|--------------|----------|
| | | | | Package | Assembly |
| 1 | B | 1091505-NLA | NLA - Hardware, Seat Positioning Strap Attaching (Pair) | 2 | 1 |
| 2 | | 1091870 | Screw, Socket Button Head w/ Patch (1/4-20 x 3/4") | 1 | 2 |
| 3 | | 1026900 | Washer (1/4 x 23/32 x 1/16") | 1 | 2 |
| 4 | | 7930333 | Locknut (1/4-20) | 25 | 2 |
| 5 | C | 1090212 | Kit, Chest Positioning Strap Mounting Hardware For Conventional Seating | 2 | 1 |
| 3 | | | Washer (1/4 x 23/32 x 1/16") | 1 | 2 |
| 6 | | | Screw, Hex Head w/ Patch (1/4-20 x 1/2") | 1 | 2 |
| 7 | | | T-Nut (1/4-20) | 1 | 2 |
| 8 | E,F | 1004310 | Strap, Positioning, Seat/Chest w/ Auto Style Push Button Buckle (Eyelet to Eyelet Length 48") | 1 | 1 |
| 8 | E,G | 1034625 | Strap, Positioning, Seat/Chest w/ Auto Style Push Button Buckle (Eyelet to Eyelet Length 61") | 1 | 1 |
| 8 | E,G,K | 1034752-NLA | NLA - Strap, Positioning, Seat/Chest w/ Airline Style Buckle (Eyelet to Eyelet Length 61") | 1 | 1 |
| 8 | D,E | 1034745 | Strap, Positioning, Seat/Chest w/ Hook and Loop Style Buckle (Eyelet to Eyelet Length 61") | 1 | 1 |
| | A | 0020200-NLA | NLA - Kit, Legrest with Screws, Otto Bock (6" W x 9" H) | 1 | 1 |
| | A | 0020300-NLA | NLA - Adapter Plate, Otto Bock Legrest Pad | 1 | 1 |
| | A,I | 0143900-NLA | NLA - Flap, Back Pan - Tarsys | 1 | 1 |
| | A,J | 0144000-NLA | NLA - Flap, Back Pan - Tarsys | 1 | 1 |
| | A,G | 0144100-NLA | NLA - Flap, Back Pan - Tarsys | 1 | 1 |

NOTE: A - Not Shown
 B - Includes Items 2-4
 C - Includes Items 3, 6, and 7
 D - Chest Only
 E - Positioning strap attaching hardware not included.
 F - 16-19" Wide
 G - 20-22" Wide
 I - 16-17" Wide
 J - 18-19" Wide
 K - 1034752 Airline Buckle Style is No Longer Available. Use Auto Style part number 1034625 as a replacement.