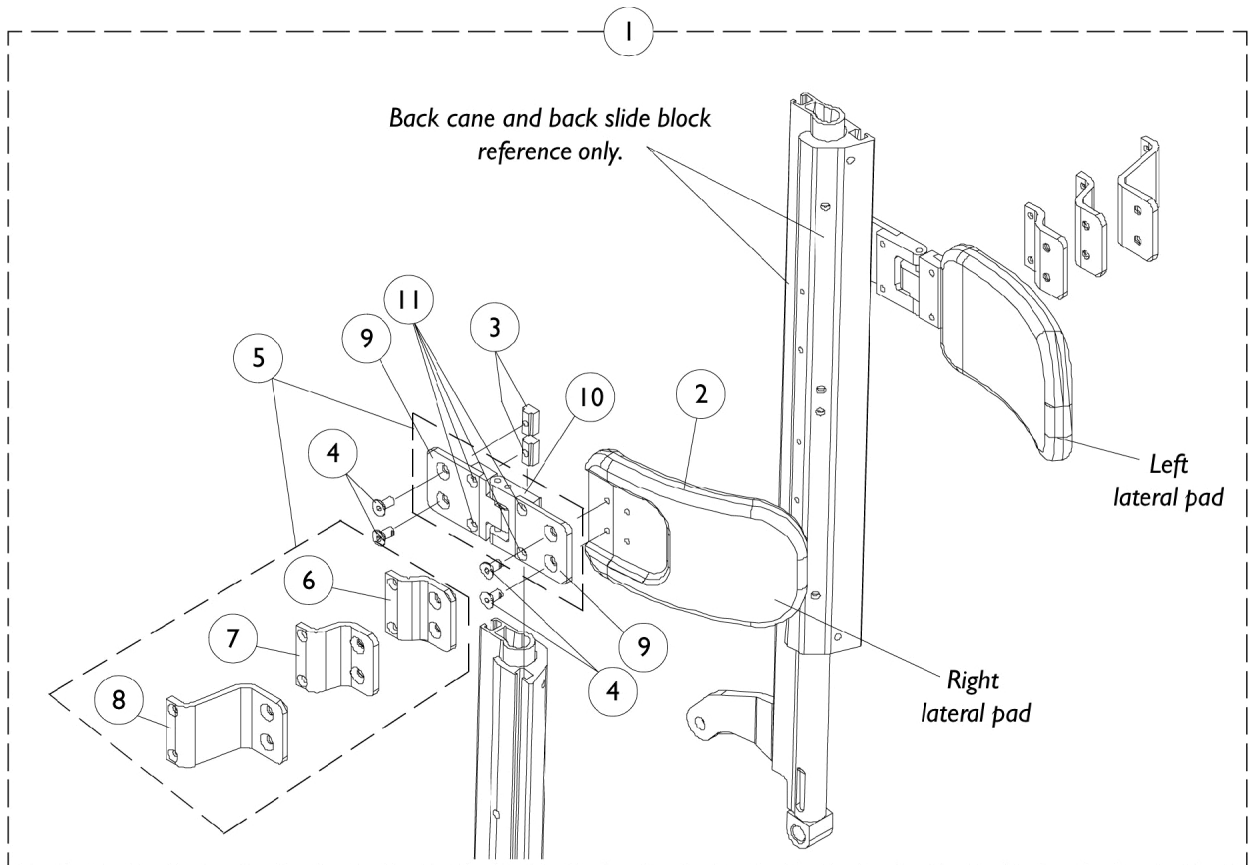


# Lateral Support Assembly For Extruded Canes



## Lateral Support Assembly For Extruded Canes

Item Number	Note	Part Number	Description	Quantity Per	
				Package	Assembly
1	A	1090200	Kit, Swingaway Lateral Support Assembly w/ Medium Pads (Pair)	2	1
2			Pad, Lateral Support - Medium (6" W x 4" H)	1	2
3			T-Nut (1/4-20)	1	4
4			Screw, Socket Flat Head (1/4-20 x 1/2")	1	8
6			NLA - Bracket, Extension Offset, Black (1/2")	1	2
7			NLA - Bracket, Extension Offset, Black (1")	1	2
8			Bracket, Extension Offset, Black (2")	1	2
9			Bracket, Flush Mount, Black	1	4
10			Bracket, Swingaway - Right	1	1
10			NLA - Bracket, Swingaway - Left	1	1
11			NLA - Screw, Socket Flat Head (#10-32 x 1/2")	1	8
1	A	1090201	Kit, Swingaway Lateral Support Assembly w/ Large Pads (Pair)	2	1
2			Pad, Lateral Support - Large (6" W x 5" H)	1	2
3			T-Nut (1/4-20)	1	4
4			Screw, Socket Flat Head (1/4-20 x 1/2")	1	8
6			NLA - Bracket, Extension Offset, Black (1/2")	1	2
7			NLA - Bracket, Extension Offset, Black (1")	1	2
8			Bracket, Extension Offset, Black (2")	1	2
9			Bracket, Flush Mount, Black	1	4
10			Bracket, Swingaway - Right	1	1
10			NLA - Bracket, Swingaway - Left	1	1
11			NLA - Screw, Socket Flat Head (#10-32 x 1/2")	1	8
5	B	1090198	Kit, Swingaway Bracket Assembly w/ Offset Brackets - Right	1	1
6			NLA - Bracket, Extension Offset, Black (1/2")	1	1
7			NLA - Bracket, Extension Offset, Black (1")	1	1
8			Bracket, Extension Offset, Black (2")	1	1
9			Bracket, Flush Mount, Black	1	2
10			Bracket, Swingaway - Right	1	1
11			NLA - Screw, Socket Flat Head (#10-32 x 1/2")	1	4
5	B	1090199	Kit, Swingaway Bracket Assembly w/ Offset Brackets - Left	1	1
6			NLA - Bracket, Extension Offset, Black (1/2")	1	1
7			NLA - Bracket, Extension Offset, Black (1")	1	1
8			Bracket, Extension Offset, Black (2")	1	1
9			Bracket, Flush Mount, Black	1	2
10			NLA - Bracket, Swingaway - Left	1	1
11			NLA - Screw, Socket Flat Head (#10-32 x 1/2")	1	4

NOTE: A - Includes items 2-4 and 6-11  
B - Includes items 6-11