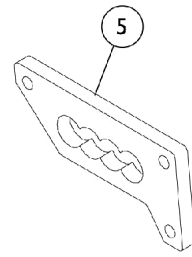
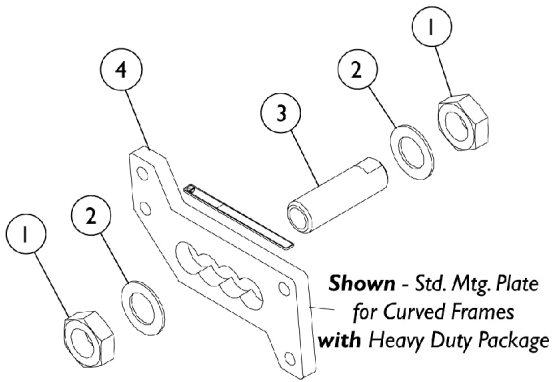
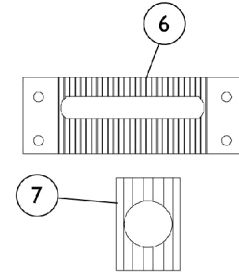


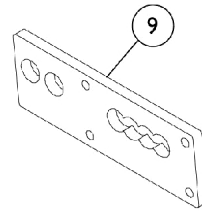
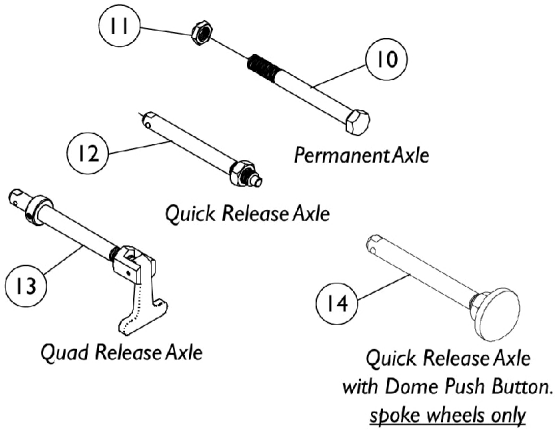
Axle & Axle Mounting Plates



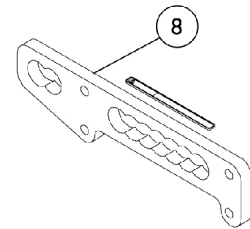
Standard Mounting Plate for Curved Frames



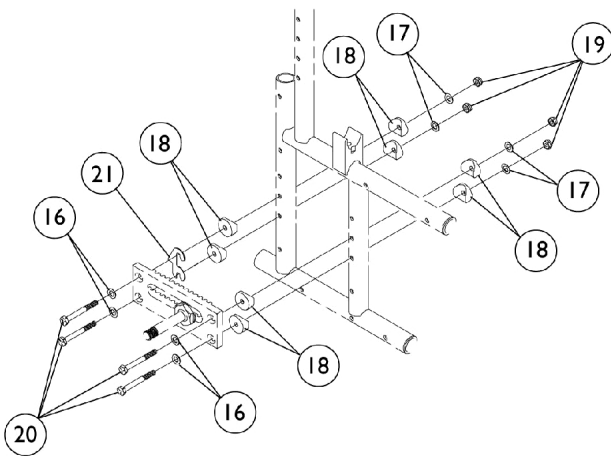
Standard Mounting Plate for Square and Extended Frames



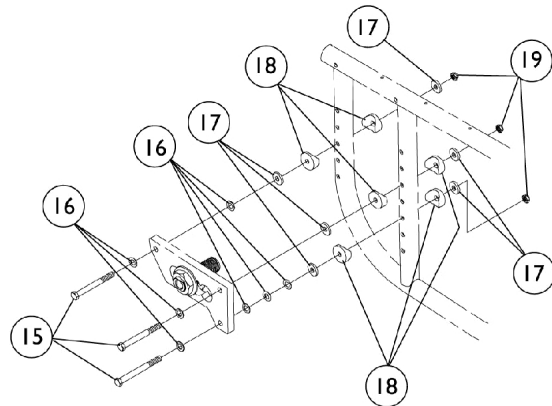
Extended Mounting Plate for Curved Frames



Extended Mounting Plate for Square and Extended Frames



Axle Mounting Plate Hardware Square and Extended Frames



Axle Mounting Plate Hardware Curved Frames

Axle & Axle Mounting Plates

Item Number	Note	Part Number	Description	Quantity Per	
				Package	Assembly
1		1044945	Nut, Hex (3/4-16)	1	2
2		1025701	Washer, Steel (3/4 x 1-1/4 x 1/16")	1	2
3	D	1025756	Bushing, Axle, Quick Release/Permanent (1-7/8")	1	1
3	E	1026178	Bushing, Axle (2-1/2")	1	1
3		1043488-NLA	NLA - Bushing, Axle (2-1/8")	1	1
4	F	1107530-NLA	NLA - Plate, Axle Mounting	1	1
5	G	1024676	Plate, Axle Mounting	1	1
6	H	1008056	Plate, Axle Mounting	1	1
7		1026098	Bracket, Alignment, Black	1	1
8	H	1069014-NLA	NLA - Plate, Axle Mounting (Extended)	1	1
9	G	1035699-NLA	NLA - Plate, Extended Axle Mounting	1	1
10		1049227	Screw, Hex Head (1/2-20 x 5-1/4")	1	1
11		1025737	Locknut (1/2-20)	1	1
12	I	1026930-NLA	NLA - Axle, Quick Release (1/2 x 4-1/2")	1	1
12	J	1040361	Axle, Quick Release w/ Locknut (1/2" x 5")	1	1
13		1043487-NLA	NLA - Axle, Quad Release	1	1
14	K	1068038-NLA	NLA - Axle, Quick Release (Dome)	1	1
14	L	1113049	Axle, Quick Release w/ Dome Button, Black	1	1
14	M	1065303	Axle, Quick Release w/ Flat Button, Black	1	1
15		1055351-NLA	NLA - Screw, Hex Head (1/4-28 x 2-1/2")	1	3
16		1026907	Washer (1/4 x 1/2 x 1/16")	1	4
17		1026900	Washer (1/4 x 23/32 x 1/16")	1	6
18		40157X020	Spacer, Coved (1/4 x 1 x 9/16")	1	8
19		1065362	Locknut (1/4-28)	1	4
20		1055350	Screw, Hex Head (1/4-28 x 2-1/4")	1	4
21	N	1025753-NLA	NLA - Shim	1	1
		1027867-NLA	NLA - Kit, Shim Alignment w/ Instructions (Pair)	1	1
	A,B,H	1107512	Hardware, Axle Mounting Plate (Pair)	2	1
	A,C,G	1107502	Hardware, Axle Mounting Plate (Pair)	2	1

NOTE: A - Not Shown
 B - Includes Items 16-20
 C - Includes Items 15-19
 D - Before 9/94.
 E - After 8/94.
 F - Curved Rear Frames w/ Heavy Duty Package
 G - Curved Rear Frames - Standard Duty
 H - Square and Extended Rear Frames
 I - Chairs built Before 9/94
 J - Chairs built After 8/94
 K - Q.R. Axle (1068038) had an Anodized Dome finish. Q.R. Axle part no. 1113049, w/ Black dome button, can be used as a replacement but may want to replace in pairs due to aesthetics.
 L - Used on all Spoke Rear Wheels except SPIN24, SPIN25, and SPIN26
 M - Used on SPIN24, SPIN25, and SPIN26 Spoke Rear Wheels
 N - No longer available individually. Order the Shim Alignment Kit part #1027867 as a replacement.