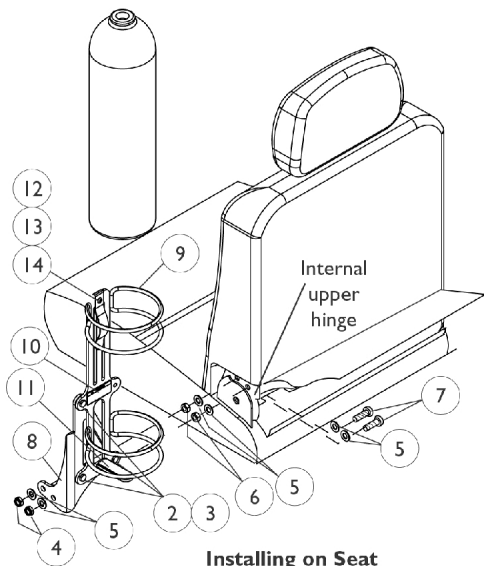
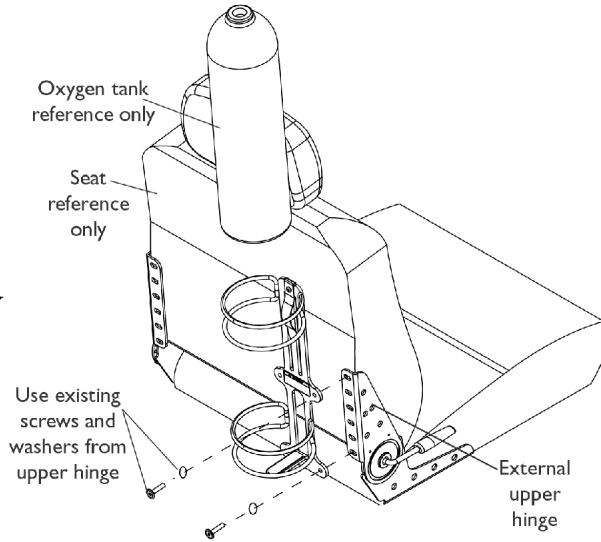


# Oxygen Holder Assembly Kit - After 4/14/03

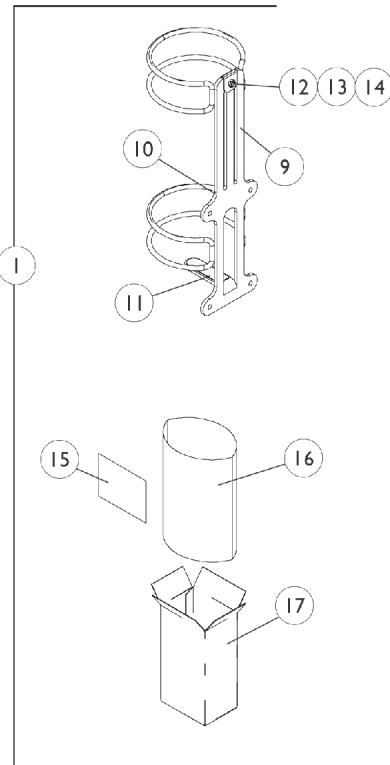
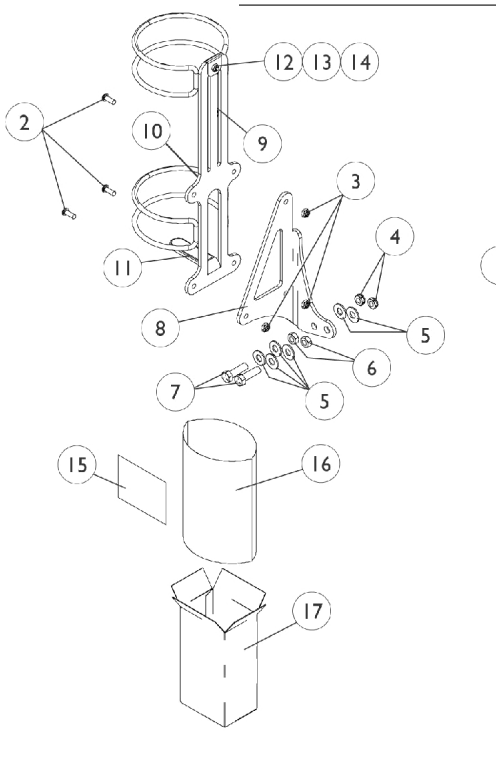
## All Captain Seat Models



**Installing on Seat with Internal Hinge**



**Installing on Seat with External Hinge**



## Oxygen Holder Assembly Kit - After 4/14/03 All Captain Seat Models

Item Number	Note	Part Number	Description	Quantity Per	
				Package	Assembly
1	A	1116952-NLA	NLA - Oxygen Holder Assembly Kit	1	1
1	B	1116956	Oxygen Holder Assembly(D or E Tanks)	1	1
2		1055304	Screw, Socket Button Head (1/4-28 x 5/8")	1	3
3		1025765	Locknut (1/4-28)	1	3
4		1028486	Locknut, Low Profile (3/8-16)	1	2
5		1118889-NLA	NLA - Washer, Steel (3/8 x 7/8 x 1/16")	1	6
6		1116954-NLA	NLA - Nut, Hex (3/8-16)	1	2
7		1118888-NLA	NLA - Screw, Hex Head (3/8-16 x 1-1/4")	1	2
8		1116953-NLA	NLA - Bracket, Oxygen Holder, Black	1	1
9	C	1116948	Holder, Oxygen	1	1
10		1080866	Decal, Oxygen Warning - English	1	1
11		1116950-NLA	NLA - Pad, Non-Skid	1	1
12		1116945	Spring, Oxygen Holder	1	1
13		1072319-NLA	NLA - Screw, Socket Button Head (#10-32 x 1/2")	1	1
14		1025735	Locknut (#10-32)	1	1
15	D	1116957-NLA	NLA - Instruction Sheet, Oxygen Holder	1	1
16		1021866-NLA	NLA - Bag, Poly (26" L x 15" W)	1	1
17		1063960	Carton	1	1

NOTE: A - For seats with an INTERNAL (Non-Visible) hinge assembly and includes items 2-17.  
B - For seats with an EXTERNAL (Visible) hinge assembly and includes items 9-17.  
C - Includes items 10-14.  
D - Item is no longer available from the Invacare Service Parts Department. Refer to the Invacare Website under "Product Literature Search". Enter the part number in the "Keywords" field and download a free PDF version copy.