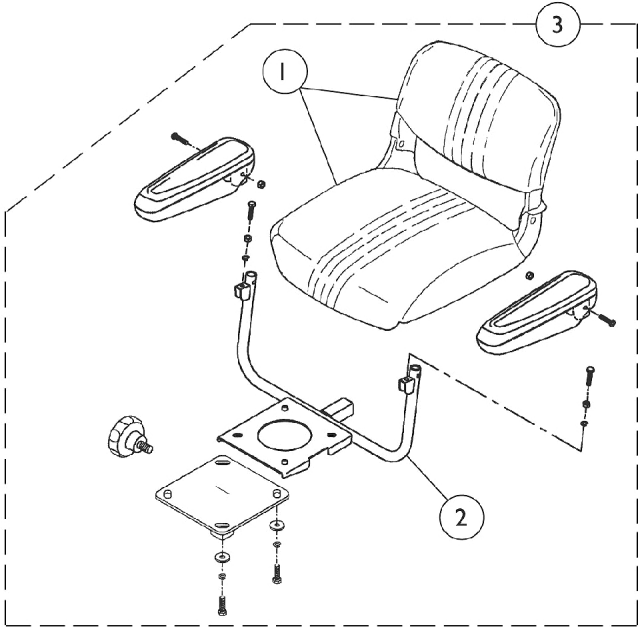
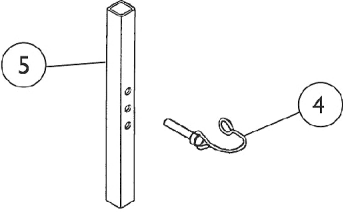


Seat Assembly

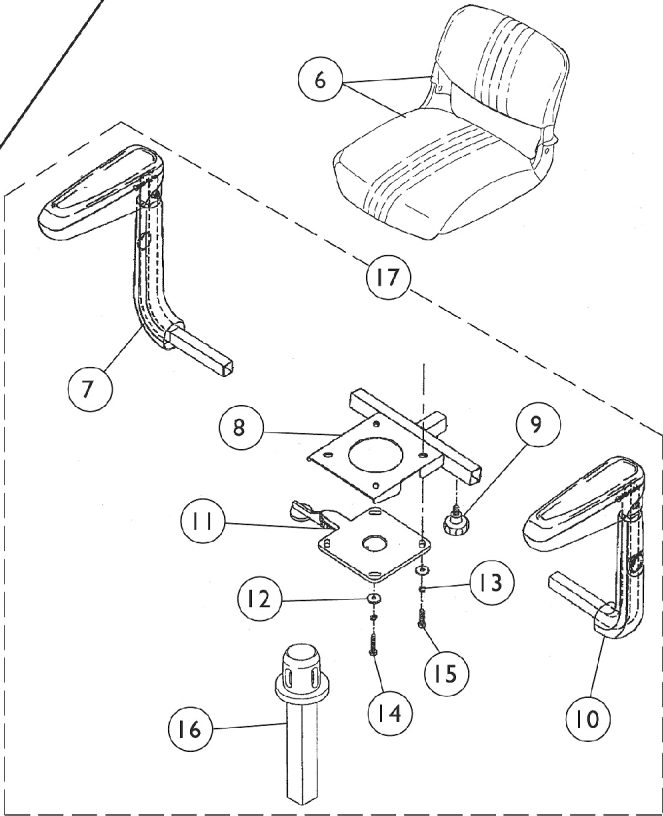
Zoom-3



Non Swivel Seat



Swivel Seat



Seat Assembly Zoom-3

Item Number	Note	Part Number	Description	Quantity Per	
				Package	Assembly
1		1088757-NLA	NLA - Upholstery w/ Foam, Contour Seat and Back, Lynx SX3P/ SX3/ LX3 and Zoom-3 - Cloth	1	1
2		1105933-NLA	NLA - Stand, Seat, Non-Swivel	1	1
3	A	1105930-NLA	NLA - Seat Assembly, Non-Swivel (Cloth)	1	1
4		1105932-NLA	NLA - Pin, Connecting	1	1
5		1105931-NLA	NLA - Post, Seat	1	1
6		1116938-NLA	NLA - Seat Assembly, Cloth	1	1
7	B	1116930-NLA	NLA - Arm Assembly -Right	1	1
8		1088762-NLA	NLA - Stand, Seat, Swivel	1	1
9		1088768-NLA	NLA - Knob, Lower Arm Tightening	1	2
10	B	1116929-NLA	NLA - Arm Assembly -Left	1	1
11		1116932-NLA	NLA - Swivel, Seat	1	1
12		1116933-NLA	NLA - Washer	1	4
13		1116934-NLA	NLA - Washer, Spring	1	4
14		1116935-NLA	NLA - Screw, Hex Head Cap (M8 x 1.25 x 35mm)	1	2
15		1116936-NLA	NLA - Screw, Hex Head Cap (M8 x 1.25 x 30mm)	1	2
16		1102926-NLA	NLA - Post, Adjustable Height Seat	1	1
17	C	1116939-NLA	NLA - Swivel Seat Conversion Kit	1	1
	D	1118357-NLA	NLA - Instruction Sheet, Swivel Seat Conversion Kit	1	1

NOTE: A - Seat Assembly includes items 1-2 plus Seat Stand, Adaptor, Seat Knob, Arm Pads, and Hardware.
 B - Includes Arm Tube and Arm Pad
 C - Includes items 7-16 plus Instruction Sheet
 D - Not Shown