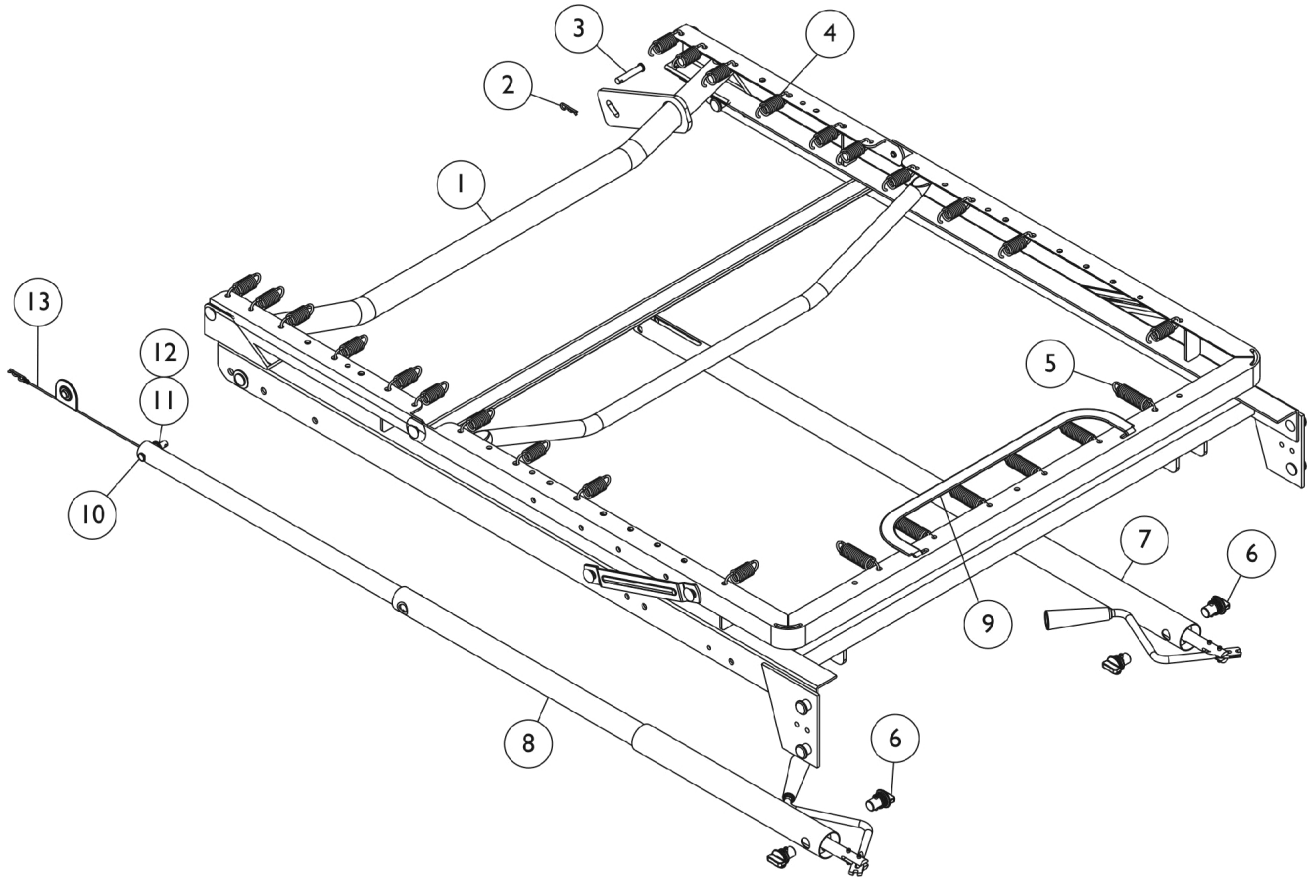


Foot Spring - Manual (5770IVC)

(Manufactured after 3/03)



Foot Spring - Manual (5770IVC) (Manufactured after 3/03)

Item Number	Note	Part Number	Description	Quantity Per	
				Package	Assembly
1	D	5770M028	Frame, Foot Spring (w/o Fabric), Brown	1	1
1		5770M000	Frame, Foot Spring (w/ Fabric)	1	1
2		51000M743	Pin, Hitch (3/8 x 1-3/16")	1	1
3		53000M957	Pin, Clevis (5/16 x 1-11/16")	1	1
4	C	51000M135	Spring, Helical (11 turns)	1	20
5		51000M136	Spring, Helical (18 turns)	1	6
6		5300M054	Mount, Motor	1	4
7	B	5510M008	Tube, Pull, Foot w/ Flattened End	1	1
8		5510M015-NLA	NLA - Tube, Pull, Head	1	1
9		026159	Stop, Mattress	1	1
10		53000M957	Pin, Clevis (5/16 x 1-11/16")	1	1
11		53000M446	Ring, Retaining	1	1
12		51000M765	Washer, Nylon (9/32 x 23/32 x 1/16")	1	1
13		5880M006	Lanyard with Hitch Pin Assembly	1	1
	A	51000M134	Fabric, Link - Foot Spring (19 x 7")	1	1
	A	1114836	Owner's Manual, IVC Beds - U.S.	1	1

NOTE: A - Not Shown.
 B - For complete Pull Tube assembly, see section titled "Pull Tubes - 5770 & 5770IVC Manual Beds".
 C - As of 9/22/08 the number of 11 turn Helical Springs used is a quantity of 20 and is applicable to Foot Springs manufactured before 9/22/08 as well.
 D - Part cannot be serviced in the field. Invacare uses a stretching machine to put the springs on.

Part number 5770M028 cannot be serviced in the field. Invacare uses a stretching machine to put the springs on.