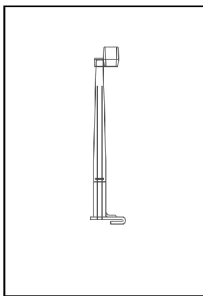
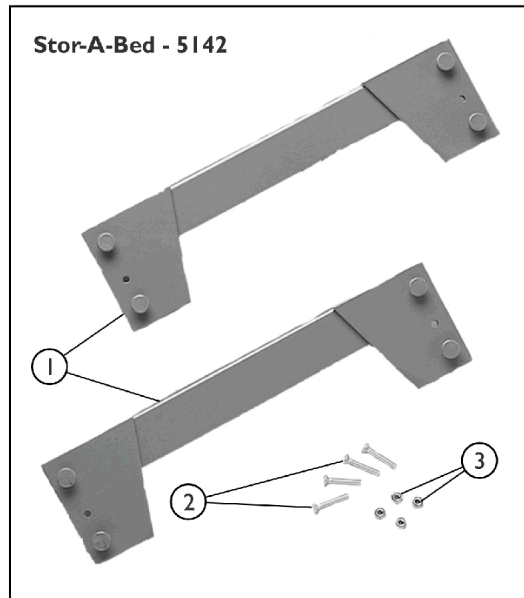
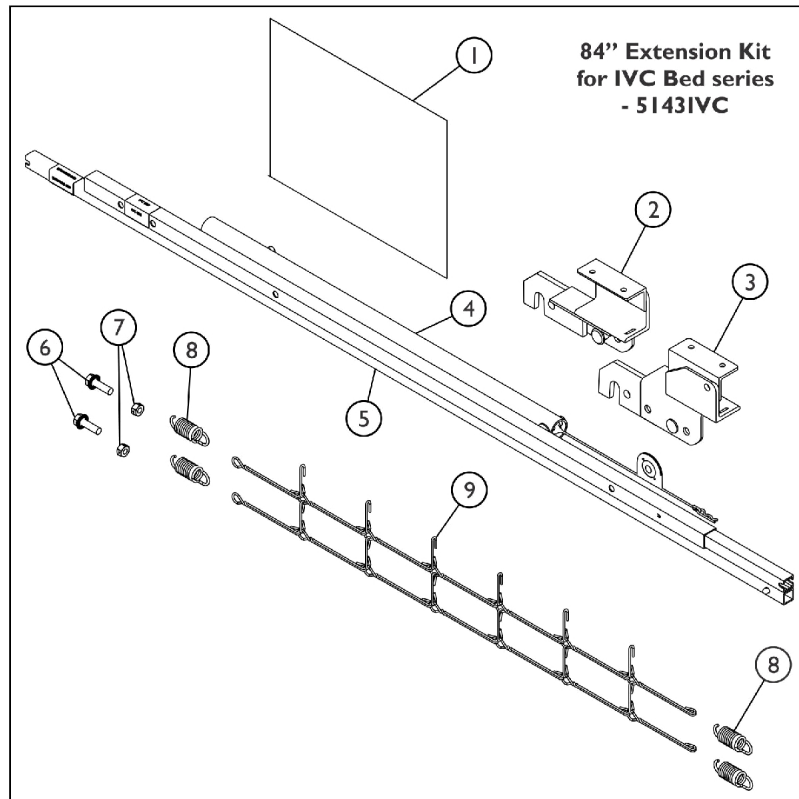


Bed Accessories



Pendant Holder



Bed Accessories

Stor-A-Bed Kit (5142)

Item Number	Note	Part Number	Description	Quantity Per	
				Package	Assembly
1		7000M462-NLA	NLA - Rail	1	2
2		53000M409	Screw, Phillips Flat Head (1/4-20 x 1-1/2")	1	4
3		15108X000	Locknut (1/4-20)	1	4
	A	53000M691	Instruction Sheet, Stor-A-Bed	1	1

NOTE: A - Not shown in illustration.

84" Extension Kit (5143IVC) Used with "IVC" and Non-"IVC" Beds

Item Number	Note	Part Number	Description	Quantity Per	
				Package	Assembly
1		53000M701	Instruction Sheet, 84" Extension Kit	1	1
2		7000M465	Extension Only - Left	1	1
3		7000M466	Extension Only - Right	1	1
4	A	1118839	Head Pull Tube End Assembly	1	1
4	B	7000M469	Head Pull Tube End Assembly	1	1
5		7000M713	Drive Shaft Assembly (84")	1	1
6		54000M641	Screw, Hex Head (5/16-18 x 1")	1	2
7		53000M434	Locknut (5/16-18)	1	2
8		51000M135	Spring, Helical (11 turns)	1	4
9		53000M699	Extension, Fabric Link	1	1

NOTE: A - For IVC Models.
B - For Non-IVC Models.

This Kit contains both Pull Tube Ends from each 5143IVC and 5143 models. Used only on Model Numbers with the IVC suffix.

84" Extension Kit (5143) Used on models WITHOUT "IVC" Extension

Item Number	Note	Part Number	Description	Quantity Per	
				Package	Assembly
1		53000M701	Instruction Sheet, 84" Extension Kit	1	1
2		7000M466	Extension Only - Right	1	1
3		7000M465	Extension Only - Left	1	1
4		7000M469	Head Pull Tube End Assembly	1	1
5		7000M713	Drive Shaft Assembly (84")	1	1
6		54000M641	Screw, Hex Head (5/16-18 x 1")	1	2
7		53000M434	Locknut (5/16-18)	1	2
8		51000M135	Spring, Helical (11 turns)	1	4
9		53000M699	Extension, Fabric Link	1	1

Service Parts are No Longer Available for the 5143, please order replacement parts from 5143IVC

Miscellaneous Accessories

Bed Accessories

Miscellaneous Accessories

Part Number	Description
5880M063-NLA	Pendant Holder
52000M043	Paint, Touch-Up, Brown (4.5 oz)
1116649-NLA See Note(s) A	NLA - Pulley Kit Includes: (4) Pulleys, (8) Spacers, and (4) Rivets
NOTE: A - For beds manufactured before 4/03.	
Note: Some of these items are not shown.	