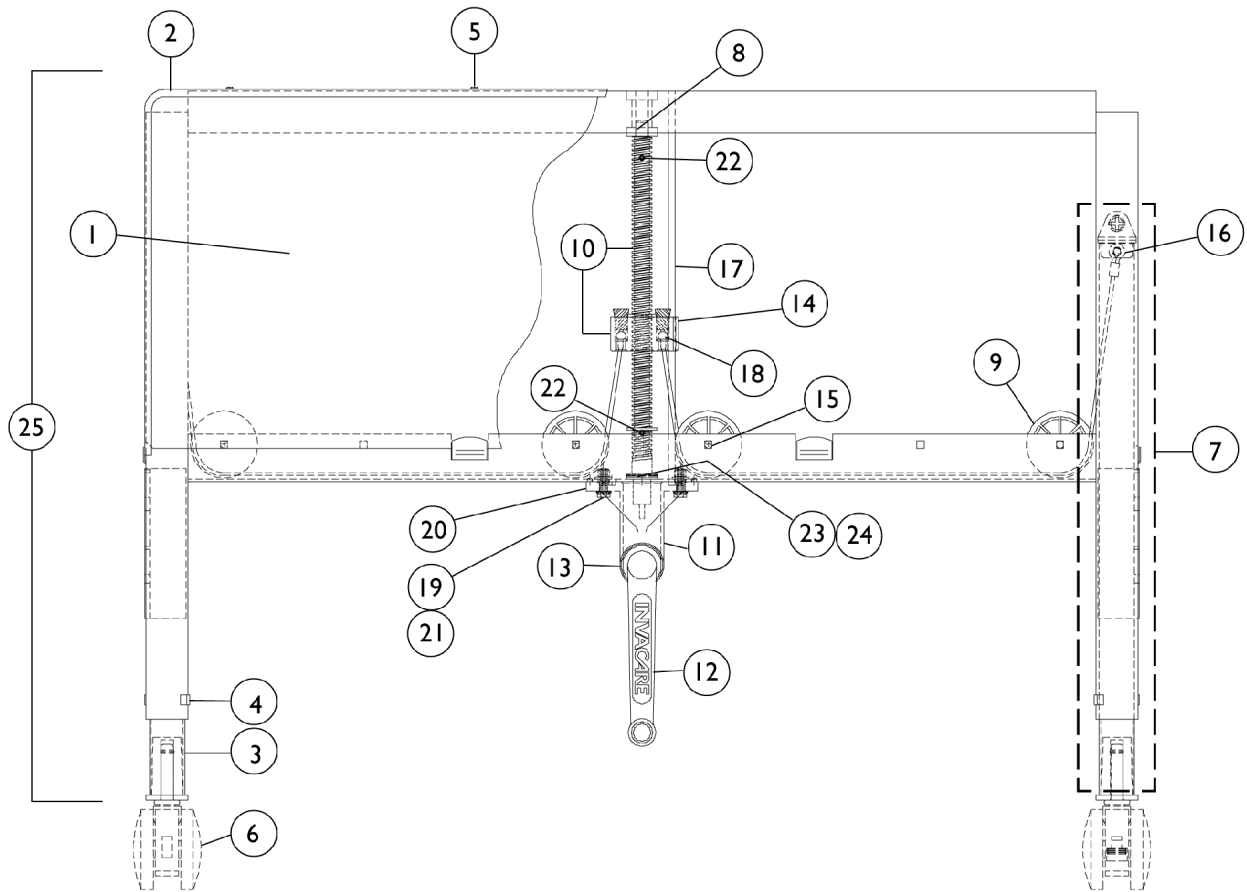


Bed Ends - Semi / Full Electric and Careguard 5300/01 and 5400/01

Head and Foot End

5300 & 5400 discontinued 1/02

5301 & 5401 discontinued 6/03



Bed Ends - Semi / Full Electric and Careguard 5300/01 and 5400/01

Head and Foot End

5300 & 5400 discontinued 1/02

5301 & 5401 discontinued 6/03

Item Number	Note	Part Number	Description	Quantity Per	
				Package	Assembly
1	J	51000M087-NLA	NLA - Panel, Decorative - Head End	1	2
1	K	51000M076-NLA	NLA - Panel, Decorative, Foot End	1	2
1	L	1116647	Panel, High Impact, Head End	1	2
1	L	1116648	Panel, High Impact, Foot End	1	2
2	J	51000M091	NLA - Trim, Decorative - Head End	1	1
2	K	51000M080-NLA	NLA - Trim, Decorative, Foot End	1	1
3		51000M083	Socket, Caster	1	2
4		51000M581	Guide, Leg	1	4
5		51000M908-NLA	NLA - Screw (#6 x 5/16")	1	12
6	H	51000M000-NLA	NLA - Caster Assembly, Swivel w/ Brake (3")	1	1
6	I	54000M446	Caster Assembly, Swivel w/ Brake (3")	1	1
6	H	51000M001	Caster Assembly, Swivel (3")	1	1
6	I,P	54000M445-NLA	NLA - Caster Assembly, Swivel (3")	1	1
6	H,M	5100M008-NLA	NLA - Package, Caster	1	1
7	B	5300M022-NLA	NLA - Inner Leg with Cable Assembly	1	2
8		51000M589	Bearing, Sleeve	1	1
9		1116651	Pulley, Cable	1	1
10	C,J	5300M051-NLA	NLA - Kit, Screw and Slip Nut Includes: 2 ea. Roll Pin (1/8 x 7/8"), 1 ea. Nut Housing, 2 ea. Pressure Plate, 1 ea. Screw (#6 x 3/4"), 1 ea. Thrust Bearing, 1 ea. Slip Nut, 2 ea. "C"-Clip, 2 ea. Push-Plug.	1	1
10	K	5300M014-NLA	NLA - Screw and Cable Guide Nut Assembly Includes: 1 ea. Cable and Guide Nut, 1 ea. Screw (#6 x 3/4"), 2 ea. Washer (3/4" x 1-1/16 x 5/64"), 2 ea. Roll Pin (1/8 x 7/8").	1	1
10	C,K	52000M138-NLA	NLA - Screw and Slip Nut Assembly Includes: 2 ea. Roll Pin (1/8 x 7/8"), 1 ea. Nut Housing, 2 ea. Pressure Plate, 1 ea. Screw (#6 x 3/4"), 1 ea. Thrust Bearing, 1 ea. Slip Nut, 1 ea. Clips "C", 2 ea. Push-In Plug.	1	1
11	J,O	5300M006-NLA	NLA - Gearbox - Semi/Full Electric	1	1
11	K,O	5300M005-NLA	NLA - Gearbox with Crank - Semi Electric	1	1

Bed Ends - Semi / Full Electric and Careguard 5300/01 and 5400/01

Head and Foot End

5300 & 5400 discontinued 1/02

5301 & 5401 discontinued 6/03

Item Number	Note	Part Number	Description	Quantity Per	
				Package	Assembly
11	K,O	5400M005-NLA	NLA - Gearbox - Full Electric	1	1
11	N,Q	1134790-NLA	NLA - Kit, Gearbox Housing (Zinc) with 80" Drive Shaft	1	1
			NLA - Gearbox Assembly (Zinc)	1	1
			Drive Shaft Assembly (80")	1	1
12	G,K	5300M053-NLA	NLA - Crank, Semi Electric	1	1
13	F,K	51000M780-NLA	NLA - Pin, Roll (3/16 x 3/4")	1	1
13	G,K	53000M433-NLA	NLA - Pin, Roll (3/16 x 7/8")	1	1
14	K	54000M661-NLA	NLA - Stopper, Cork	1	2
15		53000M989-NLA	NLA - Rivet, Square Head	1	4
16		51000M064	Spring, Leg Retaining	1	2
17	J	51000M088-NLA	NLA - Rod, Guide - Long	1	1
17	K	51000M075	Rod, Guide, Foot End, Short	1	1
18	K	51000M004-NLA	NLA - Washer, Slotted	1	2
19	D	54000M497	Screw, Hex Head (1/4-20 x 3/4")	1	1
20	D	53000M832-NLA	NLA - Locknut (1/4-20)	1	1
21	E	54000M497	Screw, Hex Head (1/4-20 x 3/4")	1	2
22	E,K	51000M726-NLA	NLA - Pin, Roll (1/8 x 7/8")	1	1
23	E,K	51000M142	Plate, Bearing	1	2
24	J	53000M803-NLA	Bearing, Thrust	1	1
24	E,K	51000M143	Bearing, Thrust	1	1
25	J	52000M219-NLA	NLA - Head End Assembly, Semi/ Full Electric without Casters	1	1
25	K	52000M218-NLA	NLA - Foot End Assembly - Semi Electric without Casters	1	1
25	K	52000M217-NLA	NLA - Foot End Assembly - Full Electric without Casters	1	1
	A	51000M426	S-Clip, Panel	1	1

NOTE: A - Not Shown
 B - Includes Legs, Cable, Cable Anchor, and Pin.
 C - This kit includes all parts and instructions to upgrade Non-Synchronized bed ends to Synchronized bed ends.
 D - Before 2/23/95
 E - After 2/22/95
 F - Before 1/26/95
 G - After 1/25/95
 H - Before 10/94
 I - After 9/94
 J - Used on the Head End only.
 K - Used on the Foot End only.
 L - Two (2) Panels are needed PER Bed End. Head End takes two (2) panels and Foot End takes two (2) panels. Panels can be used for Careguard Beds also. This High Impact panel was created as a service parts upgrade option only
 M - Includes: Two (2) Casters with Brakes and Two (2) Casters without Brakes.
 N - Includes: Gear Box Housing and 80" Drive Shaft.
 O - When replacing the Non-IVC Gear Box, a new Drive Shaft will also need to be replaced - see Kit part # 1134790.
 P - No Longer Available, replace with 54000M446.
 Q - Used with Head and Foot Bed Ends.