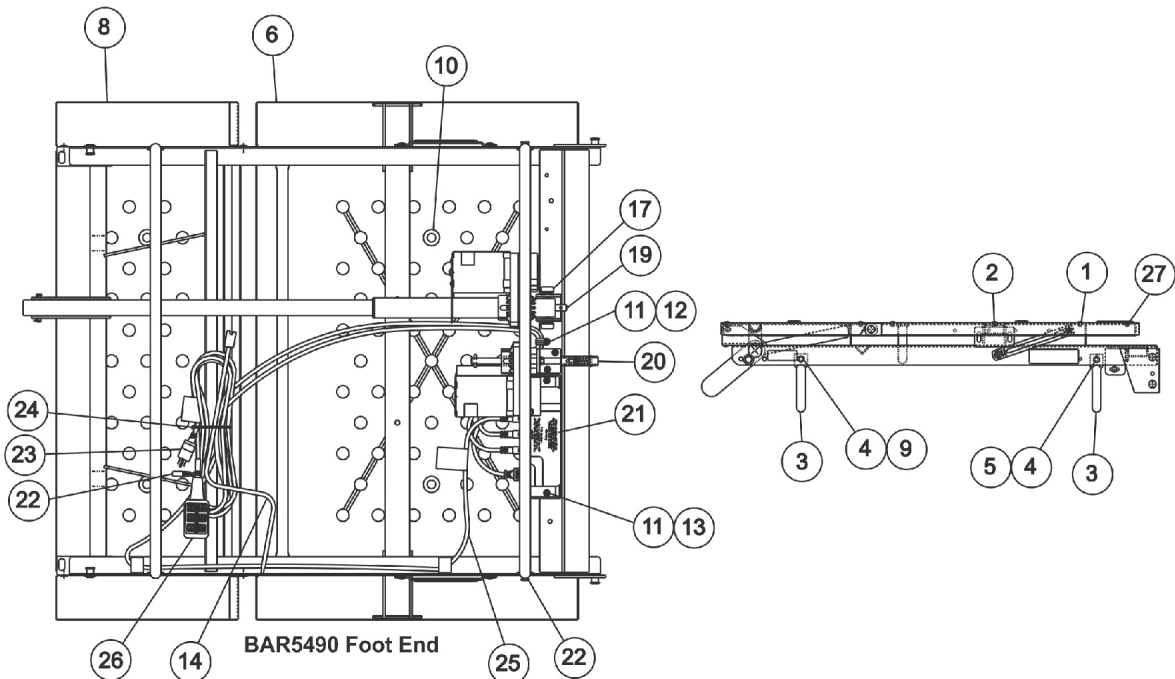
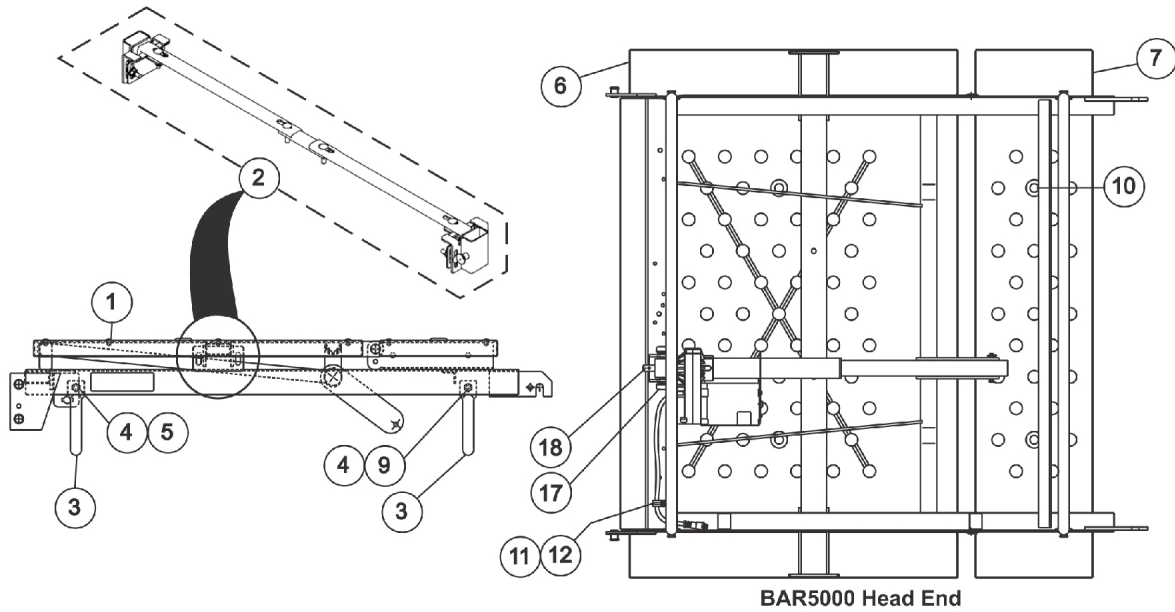


Head - Foot Spring - BAR600 (BAR5000 & BAR5490)

NOTE: Bed Ends with the "Woodgrain" finish are from the BAR600 group Manufactured "before 5/05."
Bed Ends with the "Composite" finish are from the BAR600IVC group manufactured "after 2/05." Please
check before ordering service parts.

NOTE: Due to the weight limitations associated with the Bariatric Bed, use the Bed Rail Mounting Bracket
Kit attached to assemble the 6640 Half Bed Rail Side Adjustment Clamps.



Head - Foot Spring - BAR600 (BAR5000 & BAR5490)

**NOTE: Bed Ends with the "Woodgrain" finish are from the BAR600 group Manufactured "before 5/05."
Bed Ends with the "Composite" finish are from the BAR600IVC group manufactured "after 2/05." Please
check before ordering service parts.**

**NOTE: Due to the weight limitations associated with the Bariatric Bed, use the Bed Rail Mounting Bracket
Kit attached to assemble the 6640 Half Bed Rail Side Adjustment Clamps.**

Item Number	Note	Part Number	Description	Quantity Per	
				Package	Assembly
1		026623	Rivet (1/4")	1	26
2	A,C,K	1105473-NLA	NLA - Kit, Bed Rail Bracket Hardware	1	1
			Bolt, Round Hd Square Neck (5/16-18 x 1-1/4")	1	4
			Nut, Hex Lock (5/16-18)	1	6
			NLA - Spacer (5/16 x 3/4 x 1/2")	1	4
			NLA - Screw, Round Head Square Neck (5/16-18 x 2")	1	2
	A,B	56000M034-NLA	NLA - Screw, Round Head Square Neck (5/16-18 x 2")	1	2
	A,B	56000M033-NLA	NLA - Spacer (5/16 x 3/4 x 1/2")	1	4
2		1082477-NLA	NLA - Kit, Crossbrace	1	1
			Clamp, Side Adjustment	1	2
			NLA - Kit, Homecare Bed Hardware	1	1
			Bolt, Round Hd Square Neck (5/16-18 x 1-1/4")	1	4
			Nut, Hex Lock (5/16-18)	1	6
			NLA - Spacer (5/16 x 3/4 x 1/2")	1	4
			NLA - Screw, Round Head Square Neck (5/16-18 x 2")	1	2
3		54000M492-NLA	NLA - Guard, Motor (5-3/4" Tall)	1	4
4		53000M434	Locknut (5/16-18)	1	8
5		51000M912-NLA	NLA - Bolt, Shoulder (5/16-18 x 1")	1	4
6		56000M014-NLA	NLA - Pan Deck, Head/Foot Spring	1	2
7		56000M015-NLA	NLA - Pan Deck, Seat Section	1	1
8		56000M016-NLA	NLA - Pan Deck, Thigh Section	1	1
9		54000M641	Screw, Hex Head (5/16-18 x 1")	1	5
10		000194	Grommet, Pan Deck	1	8
11		54000M515	Screw, Slotted Hex Head Tap (1/4-20 x 3/4")	1	6
12		54000M493	Clamp, Cable, Steel (9/16")	1	2
13		54000M516-NLA	NLA - Spacer, Round (1/4 x 1/2 x 1/4")	1	2
14		5880M004	Crank, Emergency, Dark Brown	1	1
15		000037-NLA	NLA - Nut, Keps (5/16-18)	1	1
16	D	5600M018-NLA	NLA - Support, Frame with Attaching Hardware	1	2
17		5300M054	Mount, Motor	1	4
18		1125307	Motor, Head with Pull Tube and Hardware	1	1
19		5600M008	Motor, Foot with Pull Tube and Hardware	1	1
20		1132750	Kit, Hi/Lo Motor Assembly	1	1
			Motor, Hi/Lo with Bracket	1	1
			Screw, Slotted Hex Head Tap (1/4-20 x 3/4")	1	1
		51000M533	Bracket, Hi-Lo Motor	1	1

Head - Foot Spring - BAR600 (BAR5000 & BAR5490)

NOTE: Bed Ends with the "Woodgrain" finish are from the BAR600 group Manufactured "before 5/05." Bed Ends with the "Composite" finish are from the BAR600IVC group manufactured "after 2/05." Please check before ordering service parts.

NOTE: Due to the weight limitations associated with the Bariatric Bed, use the Bed Rail Mounting Bracket Kit attached to assemble the 6640 Half Bed Rail Side Adjustment Clamps.

Item Number	Note	Part Number	Description	Quantity Per	
				Package	Assembly
	B	52000M337-NLA	NLA - Kit, Coupling Replacement (Includes: Coupling, Spring, Roll Pin, and Instruction Sheet)	1	1
	H,J	51000M100	Compression Spring	1	1
	H,J	51000M976	Roll Pin (3/16" x 1")	1	2
	H,J	5880M043	Coupling Assembly	1	1
21	E	1104347-NLA	NLA - Junction Box, Full Electric with Instruction Sheet	1	1
21	F	1104343	Kit, Control/Junction Box, Full Electric, (6 Function) - US / Canadian Models, Low Voltage Square Plug	1	1
22	G	54000M441	Clip, Pendant	1	1
	B	52000M316-NLA	NLA - Kit, Pendant Clip w/ Instruction Sheet	1	1
23		026874	Cord, Power	1	1
24		51000M562-NLA	NLA - Tie Wrap	1	6
22		53000M434	Locknut (5/16-18)	1	8
23		51000M912-NLA	NLA - Bolt, Shoulder (5/16-18 x 1")	1	4
25		56000M035-NLA	NLA - Connector, Crossover	1	1
26		7001M297	Pendant, Full Electric, 6 Channel	1	1
27		026159	Stop, Mattress	1	1

NOTE: A - Spacer and Screw is also available individually.
 B - Not Shown
 C - Due to the weight limitations associated with the Bariatric Bed, use the Bed Rail Mounting Bracket Kit attached to assemble the 6640 Half Bed Rail Side Adjustment Clamps.
 D - Two Frame Supports are needed per bed.
 E - No longer available, use 1104343 as the replacement for this item.
 F - Includes Junction Box and Installation instructions.
 G - An instruction sheet (Part. No. 54000M181) for the Pendant Clips is available to download at invacare.com under "Product Literature Search" link.
 H - Not shown. Use as replacements for Part Number 52000M337.
 J - An instruction sheet (Part No. 54000M740) for the Coupling Replacement is available to download at invacare.com under the "Product Literature Search" link.
 K - Part #1105473 is No Longer Available. Order item #2 part #1082477 Crossbrace Kit as a replacement. Hardware included will accommodate both the (Homecare Beds (1105472)) and BAR600 Bariatric Beds.