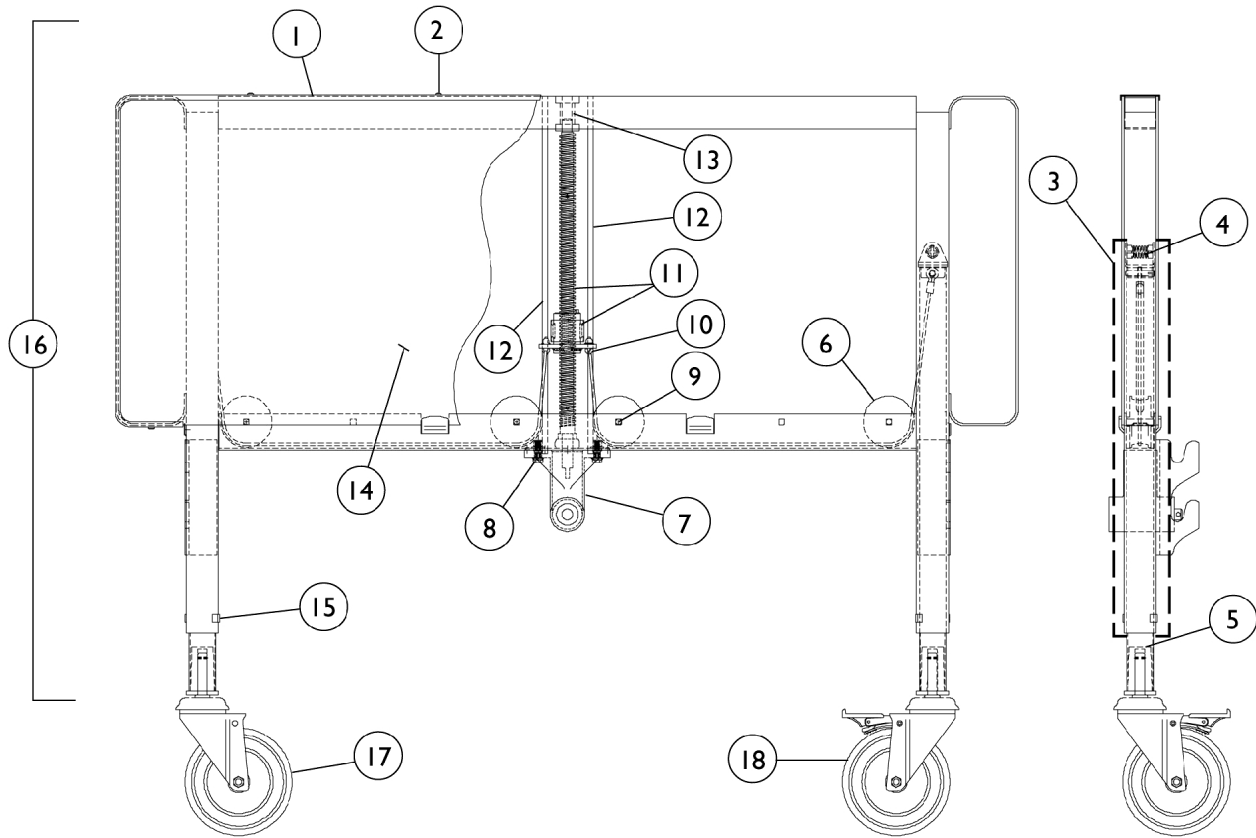


Bed Ends - Full Electric (BAR5401)

NOTE: Bed Ends with the "Woodgrain" finish are from the BAR600 group Manufactured "before 5/05."
Bed Ends with the "Composite" finish are from the BAR600IVC group manufactured "after 2/05." Please
check before ordering service parts.



Bed Ends - Full Electric (BAR5401)

**NOTE: Bed Ends with the "Woodgrain" finish are from the BAR600 group Manufactured "before 5/05."
Bed Ends with the "Composite" finish are from the BAR600IVC group manufactured "after 2/05." Please
check before ordering service parts.**

Head and Foot End

| Item Number | Note | Part Number | Description | Quantity Per | |
|-------------|------|---------------|--|--------------|----------|
| | | | | Package | Assembly |
| 1 | D | 56000M020 | Trim, Decorative | 1 | 1 |
| 1 | E | 56000M021-NLA | NLA - Trim, Decorative | 1 | 1 |
| 2 | | 51000M908-NLA | NLA - Screw (#6 x 5/16") | 1 | 14 |
| 3 | A,C | 5300M022-NLA | NLA - Inner Leg with Cable Assembly | 1 | 2 |
| 3 | A,B | 1105548-NLA | Inner Leg with Cable | 1 | 2 |
| 4 | | 51000M064 | Spring, Leg Retaining | 1 | 2 |
| 5 | | 51000M083 | Socket, Caster | 1 | 2 |
| 6 | | 56000M008-NLA | NLA - Pulley, Cable | 1 | 4 |
| 7 | D,J | 5600M015-NLA | NLA - Gearbox | 1 | 1 |
| 7 | E,J | 5600M016-NLA | NLA - Gearbox | 1 | 1 |
| 7 | H,L | 1134790-NLA | NLA - Kit, Gearbox Housing (Zinc) with 80" Drive Shaft | 1 | 1 |
| | | | NLA - Gearbox Assembly (Zinc) | 1 | 1 |
| | | | Drive Shaft Assembly (80") | 1 | 1 |
| 8 | | 54000M497 | Screw, Hex Head (1/4-20 x 3/4") | 1 | 2 |
| 9 | | 53000M989-NLA | NLA - Rivet, Square Head | 1 | 4 |
| 10 | | 54000M780 | Plug, Push In | 1 | 2 |
| 11 | D | 5300M051-NLA | NLA - Kit, Screw and Slip Nut Includes: 2 ea. Roll Pin (1/8 x 7/8"), 1 ea. Nut Housing, 2 ea. Pressure Plate, 1 ea. Screw (#6 x 3/4"), 1 ea. Thrust Bearing, 1 ea. Slip Nut, 2 ea. "C"-Clip, 2 ea. Push-Plug. | 1 | 1 |
| 11 | E | 5300M050 | Kit, Screw and Slip Nut Includes: 2 ea. Roll Pin (1/8 x 7/8"), 1 ea. Nut Housing, 2 ea. Pressure Plate, 1 ea. Screw (#6 x 3/4"), 1 ea. Thrust Bearing, 1 ea. Slip Nut, 2 ea. Clip "C". | 1 | 1 |
| 12 | D | 51000M088-NLA | NLA - Rod, Guide - Long | 1 | 2 |
| 12 | E | 51000M075 | Rod, Guide, Foot End, Short | 1 | 2 |
| 13 | | 51000M589 | Bearing, Sleeve | 1 | 1 |
| 14 | D | 56000M010 | Panel, Decorative | 1 | 2 |
| 14 | E | 56000M011 | Panel, Decorative | 1 | 2 |
| 15 | | 51000M581 | Guide, Leg | 1 | 4 |
| 16 | D | 5600M011-NLA | Head End Assembly, Bariatric without Casters | 1 | 1 |
| 16 | E | 5600M012-NLA | Foot End Assembly - Heavy Duty without Casters | 1 | 1 |
| 17 | F | 56000M026 | Caster Assembly, Swivel (5") | 1 | 2 |
| 17 | G | 1123543 | Caster Assembly, Swivel (5") | 1 | 2 |

Bed Ends - Full Electric (BAR5401)

NOTE: Bed Ends with the "Woodgrain" finish are from the BAR600 group Manufactured "before 5/05." Bed Ends with the "Composite" finish are from the BAR600IVC group manufactured "after 2/05." Please check before ordering service parts.

| Item Number | Note | Part Number | Description | Quantity Per | |
|---|------|---------------|--|--------------|----------|
| | | | | Package | Assembly |
| 17 | G | 1110430 | Caster Assembly, Swivel (5") (Pair) | 2 | 1 |
| 18 | F,K | 56000M027-NLA | NLA - Caster Assembly, Swivel w/ Brake (5") | 1 | 2 |
| 18 | G | 1123544 | Caster Assembly, Swivel w/ Brake (5") | 1 | 2 |
| 18 | G,K | 1110431 | Caster Assembly, Swivel w/ Brake (5") (Pair) | 2 | 1 |
| <p>NOTE: A - Includes Leg, Cable, Cable Anchor, and Pin. B - After 3/5/01 C - Before 3/6/01 D - Used on Head End only. E - Used on Foot End only. F - Before 2/2/04 G - After 2/1/04 H - Includes: Gear Box and 80" Drive Shaft J - When replacing Non-IVC Gear Box, a new Drive Shaft will also need to be replaced - see Kit part # 1134790. K - When replacing item 18, Part Number 56000M027 on beds manufactured before 2/2/04, use Part Number 1110431 as the replacement item. L - Used with Head and Foot Bed Ends.</p> | | | | | |