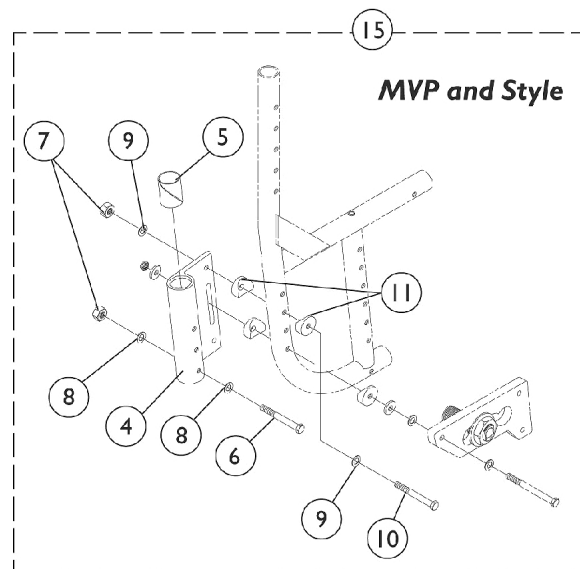
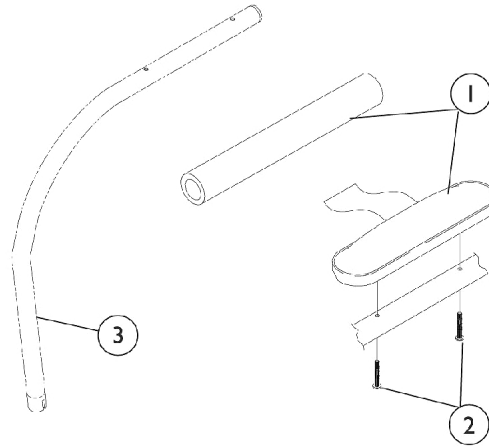
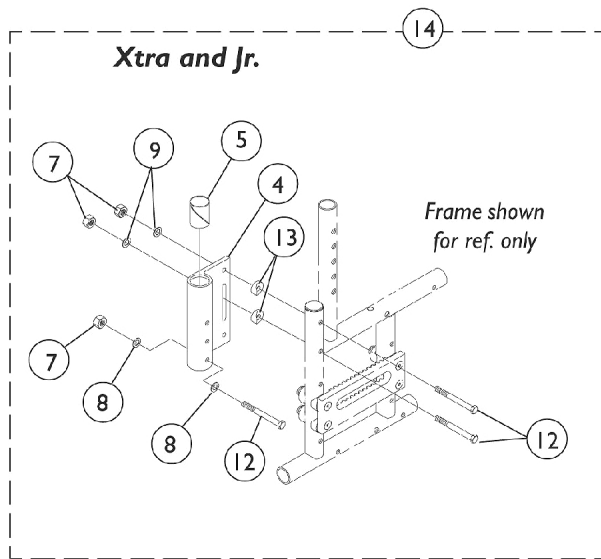


# Half Arms and Mounting Hardware



## Half Arms and Mounting Hardware

Item Number	Note	Part Number	Description	Quantity Per	
				Package	Assembly
1	A	8881053570	Kit, Arm Pad w/ Screws, Desk Length (Pair)	2	1
1		1032244	Grip, Foam Hand (9" L)	1	1
2		1055205	Package, Screw Phillips Pan Head (#10-32 x 1-3/8")	2	1
3	D	1069815-NLA	NLA - Half Arm Assembly, Black - Right	1	1
3	D	1069816-NLA	NLA - Half Arm Assembly, Black - Left	1	1
	B,C,F	1058362-NLA	NLA - Kit, Half Arm with Foam Arm Pad (Pair)	2	1
	A,B,C, F	1058363-NLA	NLA - Kit, Half Arm with Upholstered Arm Pad (Pair)	2	1
	F	1059656	Instruction Sheet, Half Arms	1	1
3	E	1032202	Half Arm Tube - Right	1	1
3	E	1032203	Half Arm Tube - Left	1	1
4		1032206-NLA	NLA - Socket, Arm, Rear - Right	1	1
4		1032207-NLA	NLA - Socket, Arm, Rear - Left	1	1
5		1018687	Sleeve, Bearing	1	1
6		1055348	Screw, Hex Head (1/4-28 x 1-3/4")	1	1
7		1065362	Locknut (1/4-28)	1	3
8		1026907	Washer (1/4 x 1/2 x 1/16")	1	2
9		1026900	Washer (1/4 x 23/32 x 1/16")	1	2
10		1055349	Screw, Hex Head (1/4-28 x 2")	1	1
11		40157X020	Spacer, Coved (1/4 x 1 x 9/16")	1	2
12		1055298	Screw, Hex Head (1/4-28 x 1-5/8")	1	3
13		1009861	Spacer, Coved (1/4 x 11/16 x 1/2")	1	2
14	D	1027062	Kit, Half Arm Mounting Hardware	2	1
15	E	1032195	Kit, Half Arm Mounting Hardware (Pair)	2	1

NOTE: A - Specify U67 upholstery color when ordering.  
 B - Xtra and Jr. - Before 6/95. Half Arm Kits must be ordered for chairs built Before 6/95. Arm pad style info. is required.  
 C - Half Arm Kits include items 1-5, 7-9, 12,13, and Instruction Sheet.  
 D - Xtra and Jr. - After 5/95  
 E - MVP and Style  
 F - Not Shown