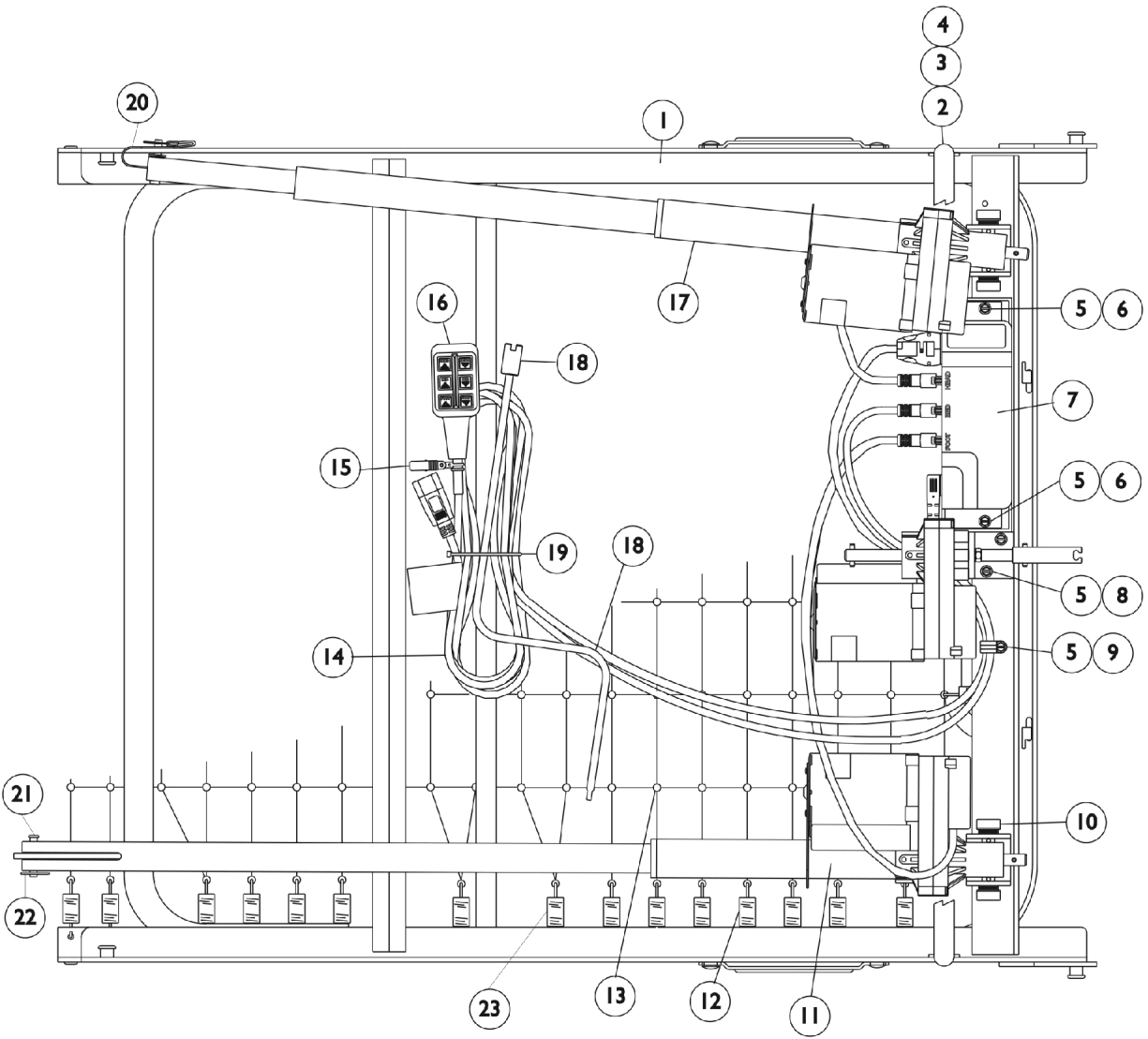


Foot Spring - Full Electric

5492

discontinued 6/03



Foot Spring - Full Electric 5492

discontinued 6/03

Item Number	Note	Part Number	Description	Quantity Per	
				Package	Assembly
1	B	5770M028	Frame, Foot Spring (w/o Fabric), Brown	1	1
1		5770M000	Frame, Foot Spring (w/ Fabric)	1	1
2		54000M492-NLA	NLA - Guard, Motor (5-3/4" Tall)	1	1
3		54000M641	Screw, Hex Head (5/16-18 x 1")	1	2
4		53000M434	Locknut (5/16-18)	1	2
5		54000M515	Screw, Slotted Hex Head Tap (1/4-20 x 3/4")	1	5
6		54000M516-NLA	NLA - Spacer, Round (1/4 x 1/2 x 1/4")	1	2
7		1102549-NLA	NLA - Controller/Junction Box - 6 Function - 220V	1	1
8		7001M326-NLA	NLA - Motor, Hi/Lo (220V)	1	1
	A	52000M337-NLA	NLA - Kit, Coupling Replacement (Includes: Coupling, Spring, Roll Pin, and Instruction Sheet)	1	1
	D,E	51000M100	Compression Spring	1	1
	D,E	51000M976	Roll Pin (3/16" x 1")	1	2
	D,E	5880M043	Coupling Assembly	1	1
9		54000M493	Clamp, Cable, Steel (9/16")	1	1
10		5300M054	Mount, Motor	1	4
11		7001M325-NLA	NLA - Motor, Foot (220V)	1	1
12		51000M135	Spring, Helical (11 turns)	1	34
13		51000M134	Fabric, Link - Foot Spring (19 x 7")	1	1
14		54000M823-NLA	NLA - Cord, Power, International Models (5892/5492 only)	1	1
15	C	54000M441	Clip, Pendant	1	1
	A	52000M316-NLA	NLA - Kit, Pendant Clip w/ Instruction Sheet	1	1
16		7001M297	Pendant, Full Electric, 6 Channel	1	1
17		7001M324-NLA	NLA - Motor, Head (220V)	1	1
18		5880M004	Crank, Emergency, Dark Brown	1	1
19		51000M562-NLA	NLA - Tie Wrap	1	1
20		5880M006	Lanyard with Hitch Pin Assembly	1	1
21		53000M957	Pin, Clevis (5/16 x 1-11/16")	1	1
22		51000M743	Pin, Hitch (3/8 x 1-3/16")	1	1
23		51000M136	Spring, Helical (18 turns)	1	6
	A	54000M544-NLA	NLA - Owner's Manual, Homecare Beds - International	1	1
	A	026159	Stop, Mattress	1	1

NOTE: A - Not Shown.
 B - Part cannot be serviced in the field. Invacare uses a stretching machine to put the springs on.
 C - An instruction sheet (Part. No. 54000M181) for the Pendant Clips is available to download at invacare.com under "Product Literature Search" link.
 D - Not shown in illustration. Used to replace Part Number 52000M337.
 E - An instruction sheet (Part No. 54000M740) for the Coupling Replacement is available to download at invacare.com under the "Product Literature Search" link.

Part number 5770M028 cannot be serviced in the field. Invacare uses a stretching machine to put the springs on.