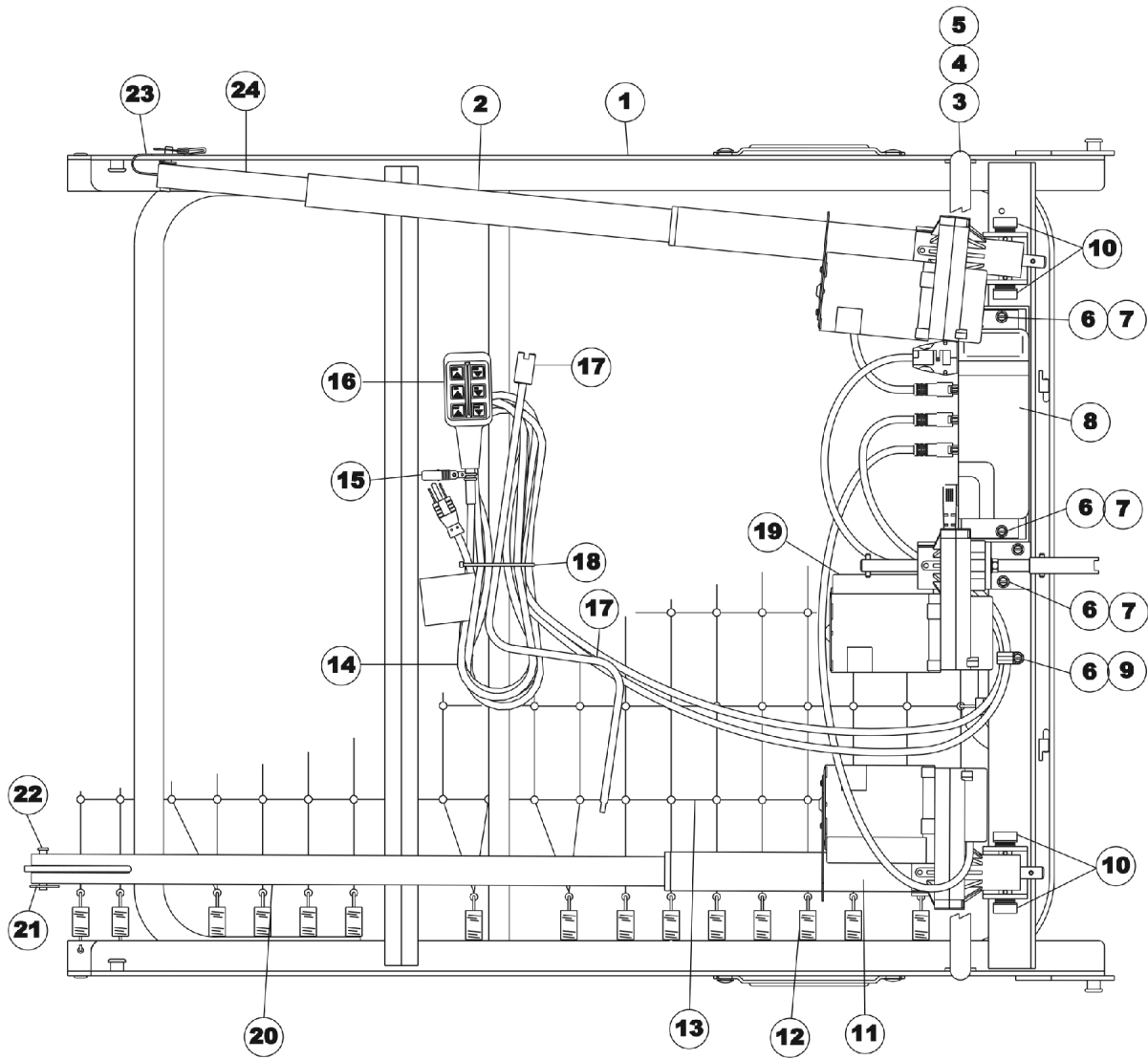


Foot Spring - Full Electric

5491

discontinued 6/03



Foot Spring - Full Electric 5491

discontinued 6/03

Item Number	Note	Part Number	Description	Quantity Per	
				Package	Assembly
1	D	5770M028	Frame, Foot Spring (w/o Fabric), Brown	1	1
1		5770M000	Frame, Foot Spring (w/ Fabric)	1	1
2		7001M327-NLA	NLA - Motor, Head	1	1
3		54000M492-NLA	NLA - Guard, Motor (5-3/4" Tall)	1	1
4		54000M641	Screw, Hex Head (5/16-18 x 1")	1	2
5		53000M434	Locknut (5/16-18)	1	2
6		54000M515	Screw, Slotted Hex Head Tap (1/4-20 x 3/4")	1	3
7		54000M516-NLA	NLA - Spacer, Round (1/4 x 1/2 x 1/4")	1	2
8	E	1104343	Kit, Control/Junction Box, Full Electric, (6 Function) - US / Canadian Models, Low Voltage Square Plug	1	1
9		54000M493	Clamp, Cable, Steel (9/16")	1	1
10		5300M054	Mount, Motor	1	4
11		7001M328	NLA - Motor, Foot	1	1
12		51000M135	Spring, Helical (11 turns)	1	34
13		51000M134	Fabric, Link - Foot Spring (19 x 7")	1	1
14		1106019	Cord, Power with Ground Label - U.S./Canadian Models	1	1
15	F	54000M441	Clip, Pendant	1	1
	A	52000M316-NLA	NLA - Kit, Pendant Clip w/ Instruction Sheet	1	1
16		7001M297	Pendant, Full Electric, 6 Channel	1	1
17		5880M004	Crank, Emergency, Dark Brown	1	1
18		51000M562-NLA	NLA - Tie Wrap	1	1
19		7001M329	Motor, Hi/Lo	1	1
20	B	53000M802-NLA	NLA - Pull Tube, Foot End	1	1
21		51000M743	Pin, Hitch (3/8 x 1-3/16")	1	1
22		53000M957	Pin, Clevis (5/16 x 1-11/16")	1	1
23		5880M006	Lanyard with Hitch Pin Assembly	1	1
24	C	5880M061-NLA	NLA - Tube, Pull, Head End Assembly	1	1
	A	51000M136	Spring, Helical (18 turns)	1	6
	A	54000M776	Owner's Manual, French/Canadian	1	1
	A	026159	Stop, Mattress	1	1
	A	52000M337-NLA	NLA - Kit, Coupling Replacement (Includes: Coupling, Spring, Roll Pin, and Instruction Sheet)	1	1
	G,H	51000M100	Compression Spring	1	1
	G,H	51000M976	Roll Pin (3/16" x 1")	1	2
	G,H	5880M043	Coupling Assembly	1	1

NOTE: A - Not Shown.
 B - This part is included with Item 11.
 C - This part is included with Item 2.
 D - Part cannot be serviced in the field. Invacare uses a stretching machine to put the springs on.
 E - Includes Junction Box and installation instructions.
 F - An instruction sheet (Part. No. 54000M181) for the Pendant Clips is available to download at invacare.com under "Product Literature Search" link.
 G - Not Shown in Illustration. Used to replace Part Number 52000M337.
 H - An instruction sheet (Part No. 54000M740) for the Coupling Replacement is available to download at invacare.com under the "Product Literature Search" link.

Part number cannot be serviced in the field. Invacare uses a stretching machine to put the springs on.