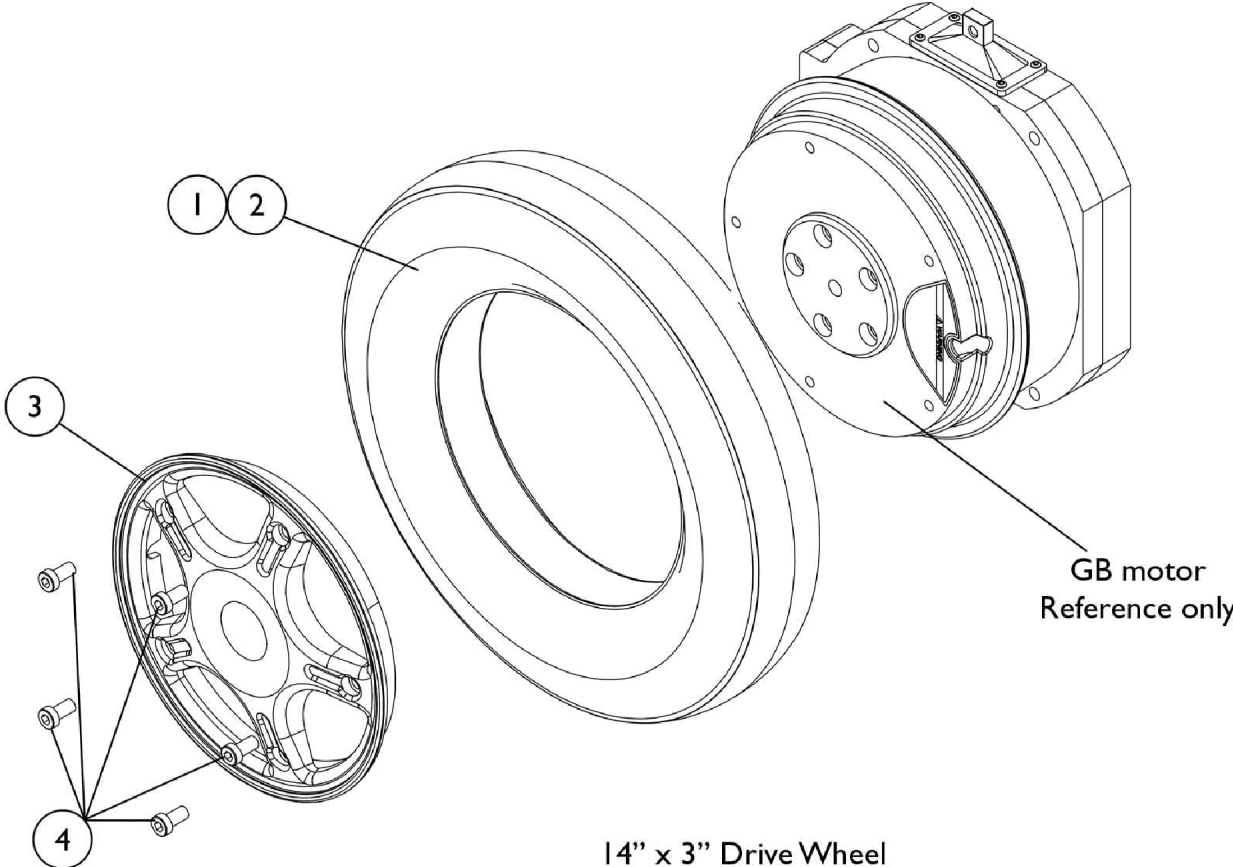


# Drive Wheels and Mounting Hardware

14" x 3" For GB Motors



14" x 3" Drive Wheel

## Drive Wheels and Mounting Hardware 14" x 3" For GB Motors

Item Number	Note	Part Number	Description	Quantity Per	
				Package	Assembly
1		1118273	Tire, Pneumatic with Instruction Sheet, Grey (14" x 3")	1	1
1	B,E,E1	1118274	Kit, Tire w/ Foam Fill Insert and Instruction Sheet, Grey (14" x 3")	1	1
1	C,D,E, E1	1141342	Tire w/ Foam Fill Insert, Grey (14" x 3")	1	1
2		1118275	Kit, Inner Tube w/ Instruction Sheet, Black (14 x 3")	1	1
3	E,E1	1116701	Kit, Rim 8" w/ Instruction Sheet (For 14 x 3" Wheel)	1	1
4	E,E1	1113320	Screw, Socket Head (M8 x 1.25 x 16mm)	1	5
	A,E1	1153683	Screw, Socket Head (M8 x 1.25 x 25MM)	1	3
	A,F	1114830-NLA	NLA - Instruction Sheet, Rim and Tire Replacement	1	1
<p>NOTE: A - Not Shown            B - Before 12/19/05. Contains a black colored high density flat free foam material            C - After 12/18/05. Contains a green colored low density flat free foam material that provides a softer ride. A customers chair must contain a matched color set of foam filled inserts.            D - Instruction Sheet part # 1114830 must be ordered when part # 1141342 is requested            E - When ordering a new flat free tire, rim or 16MM wheel mounting screws item #4, it is recommended to order 3 ea. of part #1153683 25MM screws as well.            E1 - The 25MM screws are inserted a 1/4" in every other mounting hole on the motor to compress the flat free and make it easier to install the 5 shorter 16MM screws item #4.            F - Item is no longer available from the Invacare Service Parts Department. Refer to the Invacare Website under "Product Literature Search". Enter the part number in the "Keywords" field and download a free PDF version copy.</p>					