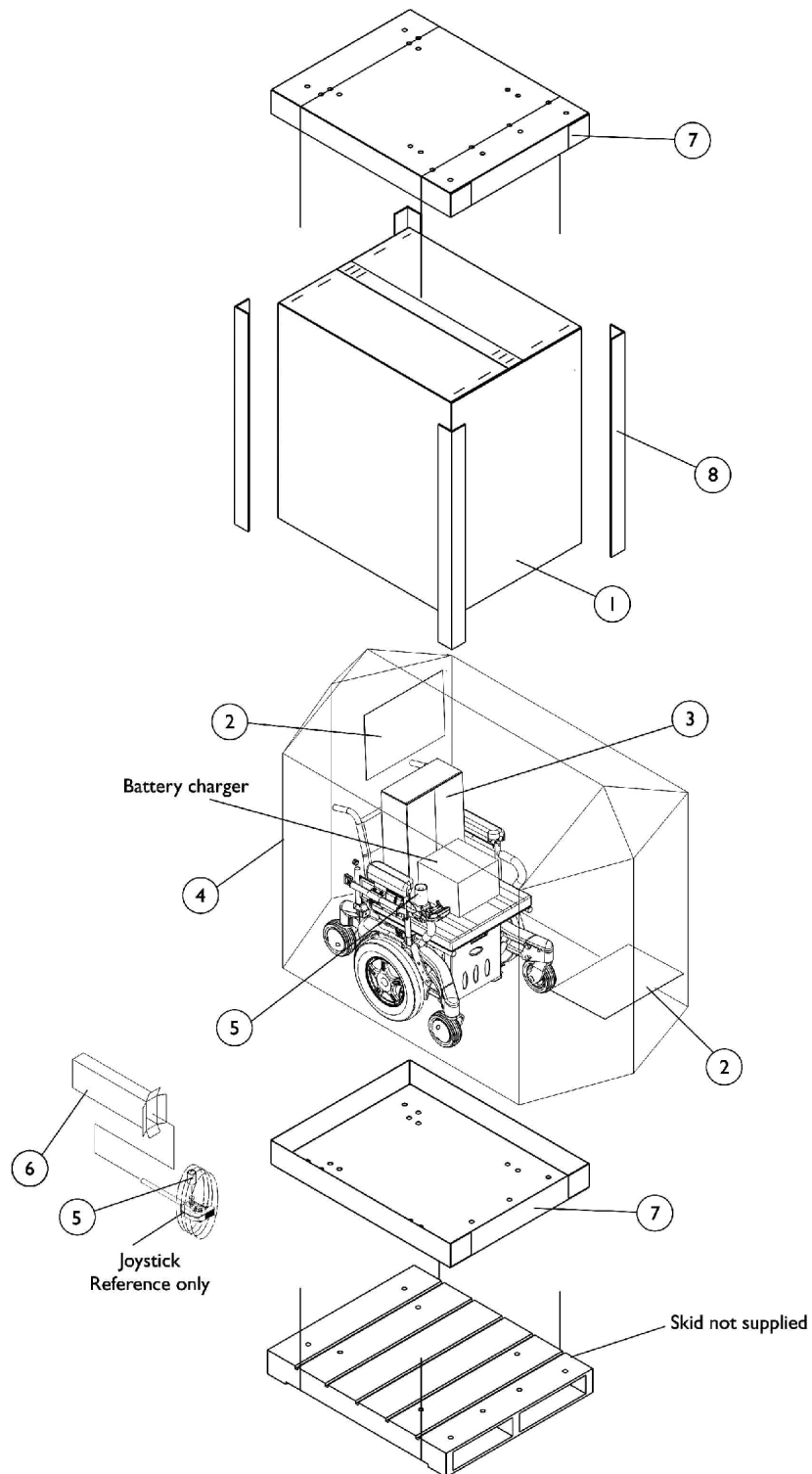


Packaging, Literature and Decals



Packaging, Literature and Decals

| Item Number | Note | Part Number | Description | Quantity Per | |
|---|-------|---------------|--|--------------|----------|
| | | | | Package | Assembly |
| 1 | A | 1030365 | Carton, Cover | 1 | 1 |
| 1 | B | 1030364 | Carton, Cover | 1 | 1 |
| 1 | C | 1031682 | Carton, Cover | 1 | 1 |
| 1 | D | 1036028 | Carton, Cover | 1 | 1 |
| 2 | | 40131X161 | Insert, Plain Pad | 1 | 2 |
| 3 | | 40131X011-NLA | NLA - Carton, Front Riggings | 1 | 1 |
| 4 | | 1015592 | Bag, Poly (72" L x 35" W x 19" D) | 1 | 1 |
| 5 | | 1043198-NLA | NLA - Tube, Paper | 1 | 1 |
| 6 | K | 1012001-NLA | NLA - Carton, Joystick | 1 | 1 |
| 7 | E | 1030362 | Carton, Tray | 1 | 2 |
| 7 | F | 1036027 | Carton, Tray | 1 | 2 |
| 8 | E | 1115174 | Carton, Corner Reinforcement | 1 | 4 |
| 8 | C | 1129589-NLA | Carton, Corner Reinforcement | 1 | 4 |
| 8 | F | 1129590-NLA | Carton, Corner Reinforcement | 1 | 4 |
| | G | 00077X031-NLA | NLA - Warranty Card | 1 | 1 |
| | G | 1114809-NLA | NLA - Owner's Manual, TDX w/ MK5 Electronics | 1 | 1 |
| | G | 1143150-NLA | NLA - Owner's Manual, TDX Base w/ MK6i Electronics | 1 | 1 |
| | G,H | 1117207-NLA | NLA - Decal, TDX 3, Yellow | 1 | 2 |
| | G,H,I | 1144624 | Decal, TDX 3, Black | 1 | 2 |
| | G,H | 1146484-NLA | NLA - Decal, TDX 3 SE, Yellow | 1 | 2 |
| | G,H,I | 1146485-NLA | NLA - Decal, TDX 3 SE, Black | 1 | 2 |
| | G,H | 1117206-NLA | NLA - Decal, TDX 4, Yellow | 1 | 2 |
| | G,H,I | 1144623 | Decal, TDX 4, Black | 1 | 2 |
| | G,H | 1117205-NLA | NLA - Decal, TDX 5, Yellow | 1 | 2 |
| | G,H,I | 1144622 | Decal, TDX 5, Black | 1 | 2 |
| | G,J | 1083199-NLA | NLA - Label, Hook Tie-Down | 1 | 4 |
| <p>NOTE: A - Base only and all A.S.B.A. seat only models B - 12" Wide - 20" Wide A.S.B.A. seat with base models C - 16" Wide - 20" Wide A.S.B.A. seat with base models with medium and tall seat-to-floor heights D - 21" Wide - 24" Wide A.S.B.A. seat with base models E - 12" Wide - 20" Wide A.S.B.A. seat with base and base only models F - 21" Wide - 24" Wide A.S.B.A. seat with base models G - Not Shown H - Model Decal attaches to the walking beam assembly I - Black Decal is used whenever frame color 30P, Sunny Yellow is ordered. J - TRRO/TRBKTS Wheelchairs only K - Can use item #3 part #40131X011 as a Joystick Carton also.</p> | | | | | |
| When adjusting or replacing parts, please refer to your Owner's Manual for assistance. | | | | | |