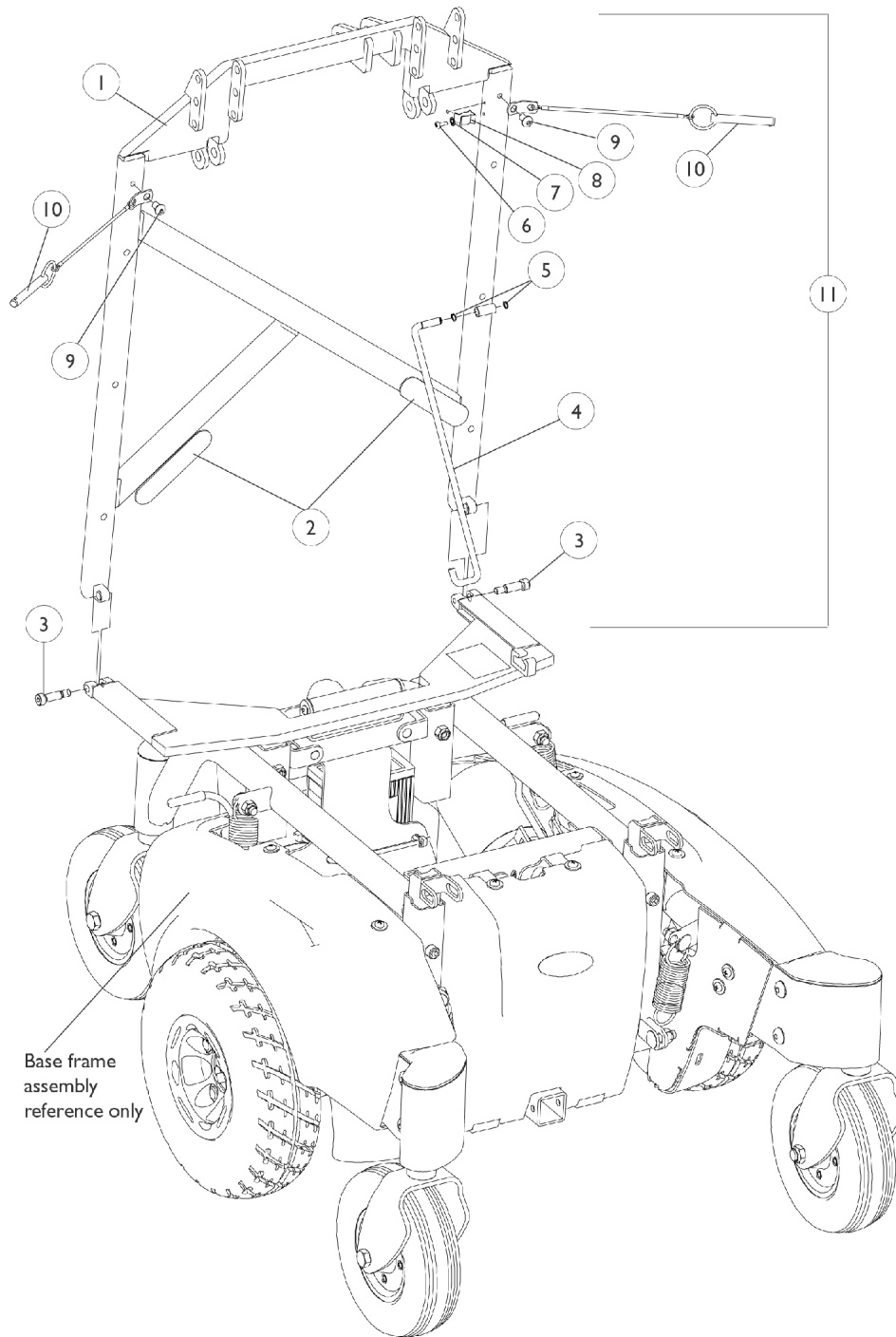


PTO Interface Frame and Prop Rod Assembly



PTO Interface Frame and Prop Rod Assembly

Item Number	Note	Part Number	Description	Quantity Per	
				Package	Assembly
1		1119256	Frame, PTO Interface w/ Non-Skid Pads (Black)	1	1
2		1072003-NLA	NLA - Pad, Non-Skid Adhesive Back	1	2
3		1118672-NLA	NLA - Screw, Shoulder Hex Socket Head (5/16" x 3/4", 1/4-20)	1	2
4		1119250-NLA	NLA - Rod, Prop	1	1
5		1119246-NLA	NLA - Ring, Snap (1/4")	1	2
6		1119255-NLA	NLA - Screw, Phillips Pan Head Tap (6-32 x 3/8")	1	1
7		1034153-NLA	NLA - Lockwasher (1/8" x 3/4" x 1/16")	1	1
8		1119249-NLA	NLA - Clip, Adjustable Finger Grip (#28)	1	1
9		1088932	Screw, Socket Button Head (1/4-20 x 3/8")	1	2
10		1118694-NLA	NLA - Pin, Quick Release w/ Lanyard (5/16")	1	2
11	A	1118647-NLA	NLA - PTO Interface Frame w/ Prop Rod Assembly (Black)	1	1

NOTE: A - Includes items 1-10