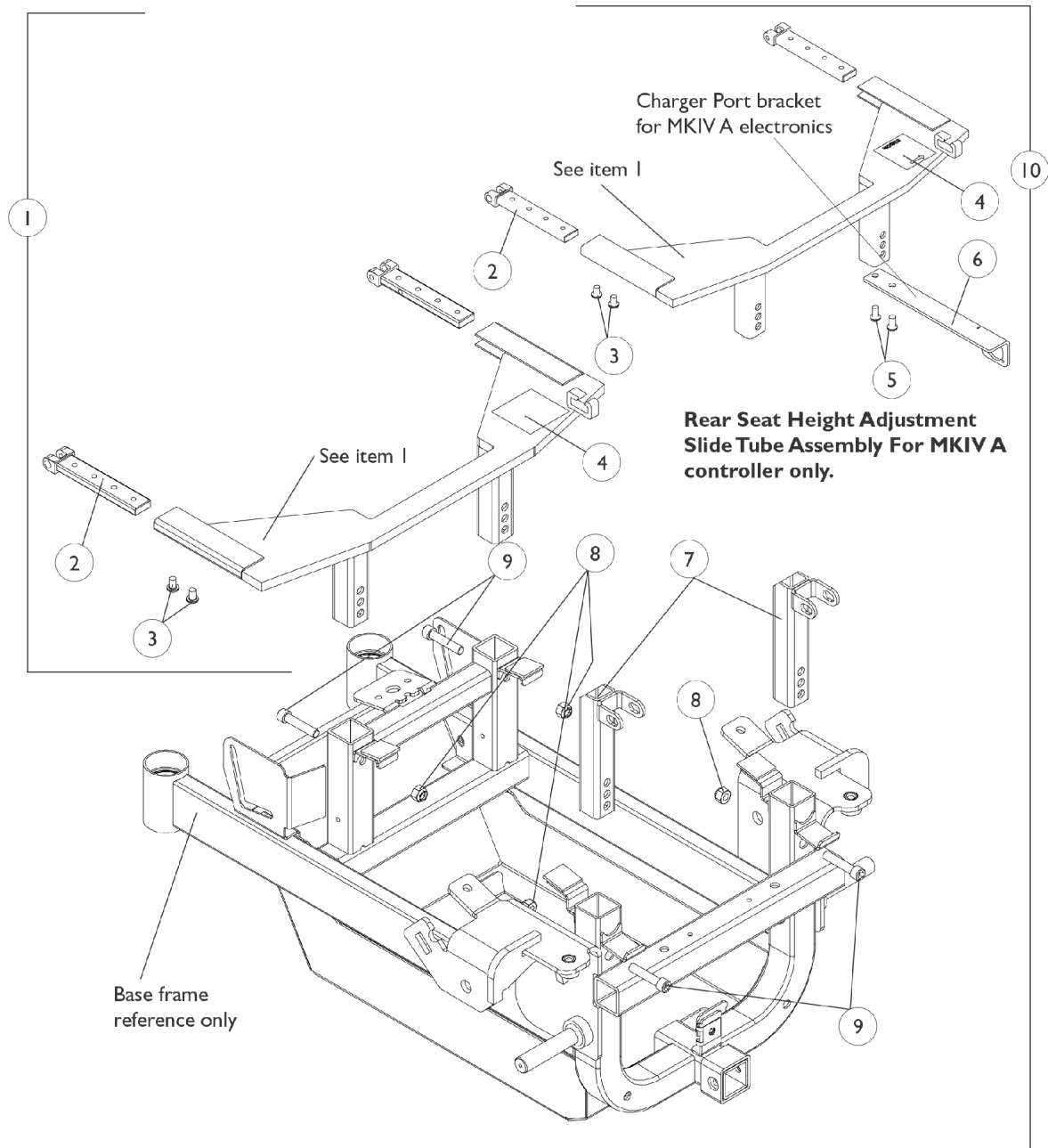


# Seat Height Adjustment Slide Tubes - Pronto M91 with PTO



## Seat Height Adjustment Slide Tubes - Pronto M91 with PTO

Item Number	Note	Part Number	Description	Quantity Per		
				Package	Assembly	
1	A	1118689-NLA	NLA - Slide Tube Assembly, Seat Height Adjustment, Rear, Black - Pronto M91	1	1	
1	B	1119266-NLA	NLA - Slide Tube Assembly, Seat Height Adjustment, Rear, Black - Pronto M91 w/ MKIV A Controller	1	1	
2	C	1118675-NLA	NLA - Bracket, Telescoping PTO, Black - Rear	1	2	
3		1088932	Screw, Socket Button Head (1/4-20 x 3/8")	1	4	
4		1118369-NLA	NLA - Decal, PTO Prop Rod	1	1	
5		1006773-NLA	NLA - Screw, Socket Button Head (1/4-20 x 1/2")	1	2	
6		1119265-NLA	NLA - Bracket, Charger Connector, Black	1	1	
7		1118683	Tube, Slide, Seat Height Adjustment, Front - Pronto M91	1	2	
8		1026158	Locknut (5/16-18)	1	4	
9		1021344	Screw, Socket Head (5/16-18 x 1-1/2")	1	4	
10		D	1118693-NLA	NLA - Seat Height Adjustment Slide Tubes w/ Hardware, Pronto M91	1	1
10		E	1119267-NLA	NLA - Seat Height Adjustment Slide Tubes w/ Hardware, For Pronto M91 w/ MKIV A Controller	1	1

NOTE: A - Includes items 2-4  
 B - Includes items 2-6  
 C - When a MKIV A controller is used, a quantity of 2 screws are used for item 3  
 D - Includes items 2-4 and 7-9  
 E - Includes items 2-9