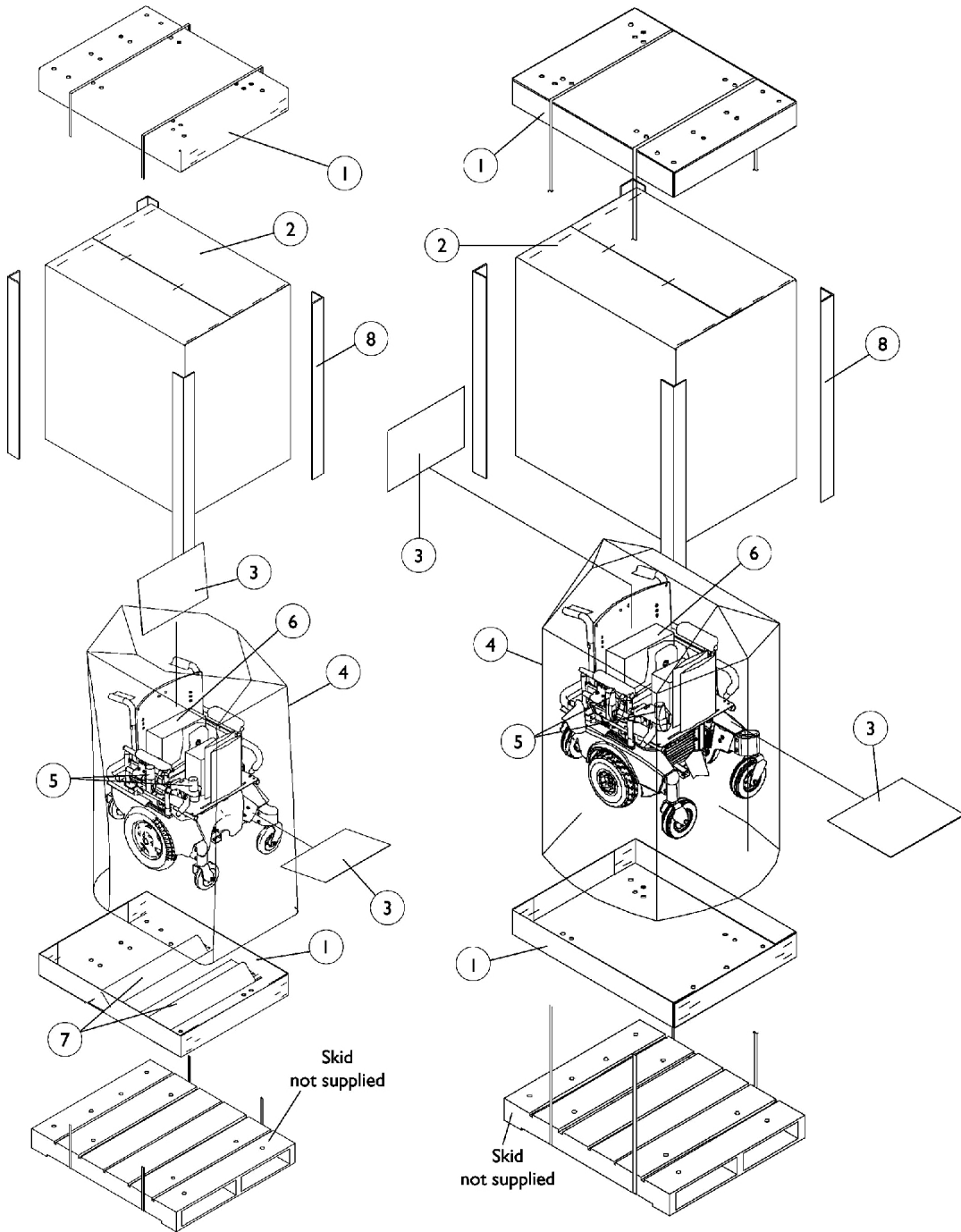


# Packaging and Literature

When adjusting or replacing parts, please refer to your Owner's Manual for assistance.



**PTO w/ Pronto M91 Packaging**

**PTO w/ Pronto M71 Packaging**

# Packaging and Literature

When adjusting or replacing parts, please refer to your Owner's Manual for assistance.

Item Number	Note	Part Number	Description	Quantity Per	
				Package	Assembly
1		1030362	Carton, Tray	1	2
2		1031682	Carton, Cover	1	1
3		40131X161	Insert, Plain Pad	1	2
4		1015592	Bag, Poly (72" L x 35" W x 19" D)	1	1
5		1043198-NLA	NLA - Tube, Paper	1	2
6		40131X011-NLA	NLA - Carton, Front Riggings	1	1
7		1116612-NLA	NLA - Chock, Wheel	1	2
8		1129589-NLA	Carton, Corner Reinforcement	1	4
	A,C	1118362-NLA	NLA - Owner's Manual, PTO with Pronto M71 or Pronto M91 Base	1	1
	B	1164348	Mailer, Return, Mercury Free	1	1

NOTE: A - Not Shown  
 B - For Massachusetts providers only  
 C - Item is no longer available from the Invacare Service Parts Department. Refer to the Invacare Website under "Product Literature Search". Enter the part number in the "Keywords" field and download a free PDF version copy.