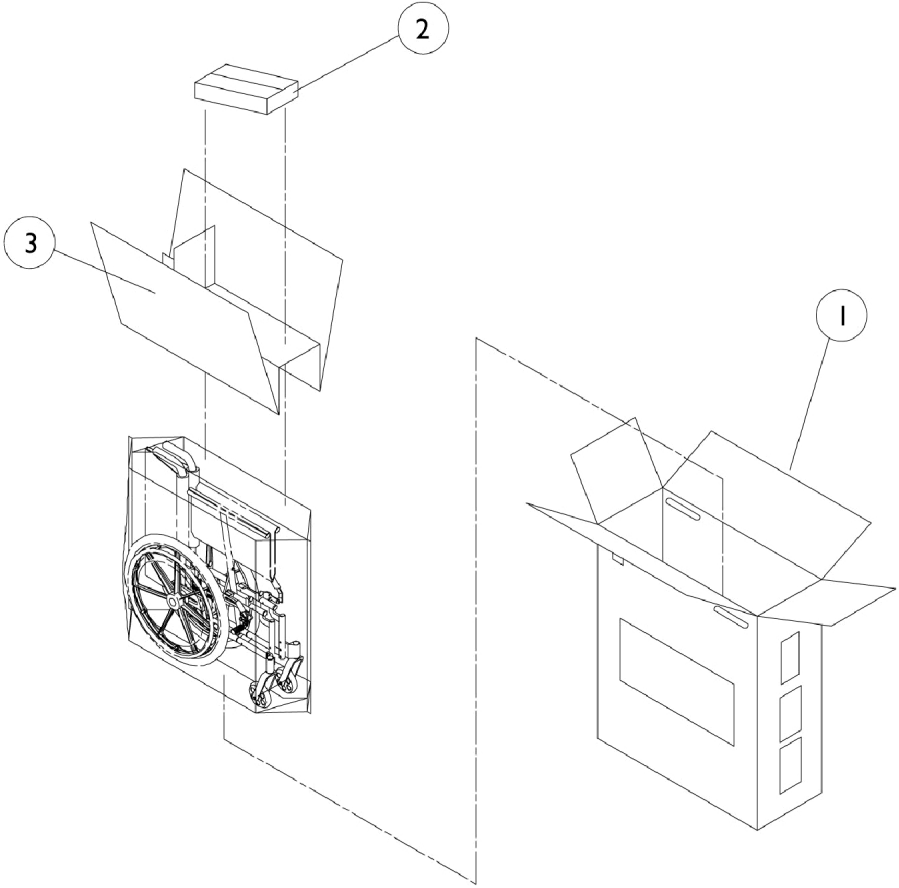


Packaging - Literature - Decals



Packaging - Literature - Decals

Item Number	Note	Part Number	Description	Quantity Per	
				Package	Assembly
1		1045583-NLA	NLA - Carton, Shipper	1	1
2		40131X011-NLA	NLA - Carton, Front Riggings	1	1
3		1049222-NLA	NLA - Insert, Bottom Pad	1	1
	A,B	1026793-NLA	NLA - Owner's Manual, Xtra and Jr.	1	1
	A,C	1106638-NLA	NLA - Owner's Manual, MVP - English	1	1
	A	1026935-NLA	NLA - Owner's Manual, Style	1	1
	A	See Chart	Decals	1	1

NOTE: A - Not Shown
 B - Item is no longer available from the Invacare Service Parts Department. Refer to the Invacare Website under "Product Literature Search". Enter the part number in the "Keywords" field and download a free PDF version copy.
 C - Item is no longer available from the Invacare Service Parts Department. Refer to the Invacare Website under "Product Literature Search". Enter the part number in the "Keywords" field and download a free PDF version copy.

Decals

Lettering Color	Xtra	MVP	Jr	Style
Black	1047716-NLA	1029411-NLA	1025699-NLA	1025696-NLA
White	1047717-NLA	1029410-NLA	1025693	1025690-NLA

When adjusting or replacing parts, please refer to your Owner's Manual for assistance.