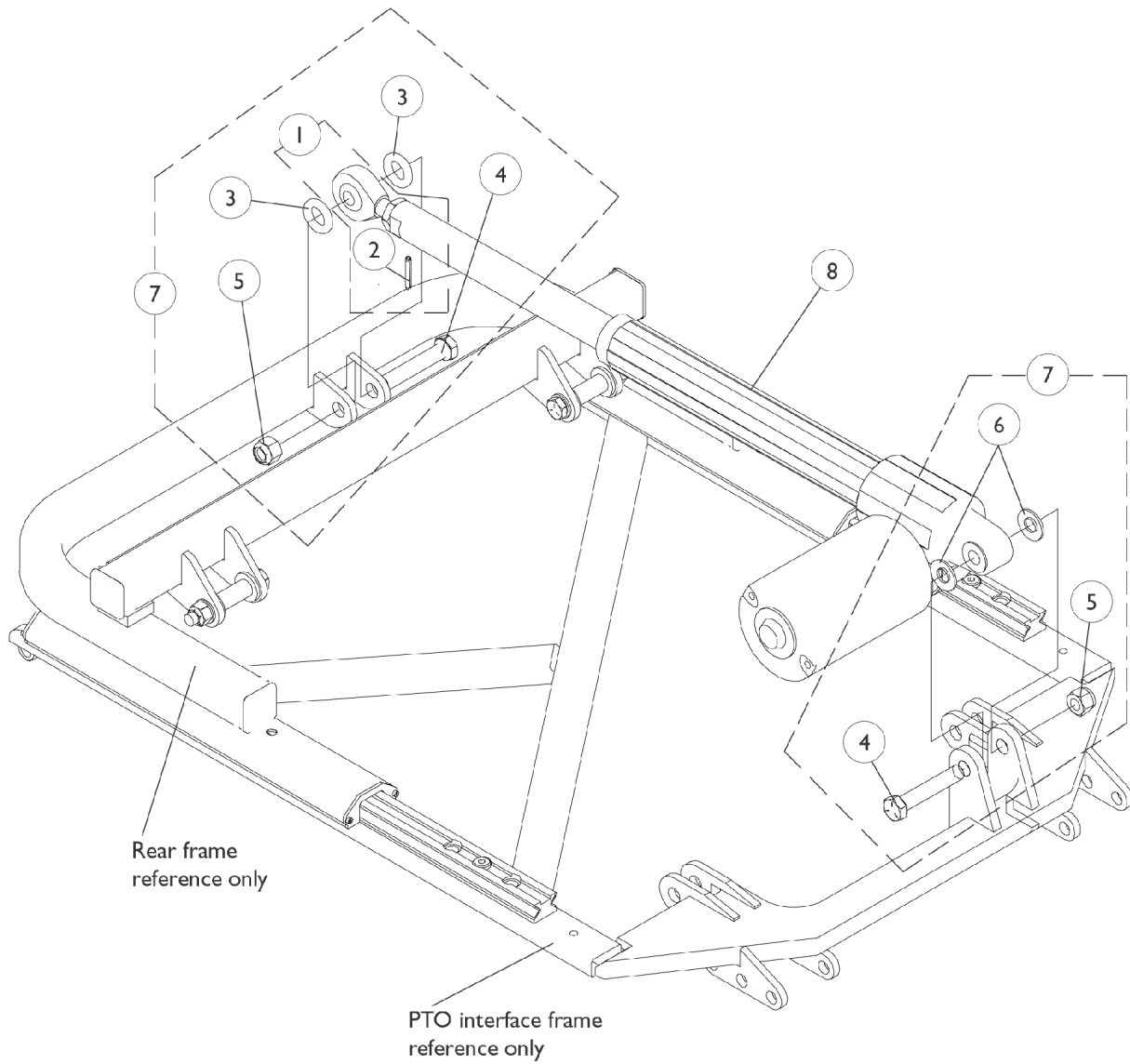


Actuator Motor and Mounting Hardware



Actuator Motor and Mounting Hardware

Item Number	Note	Part Number	Description	Quantity Per	
				Package	Assembly
1		0313900-NLA	NLA - Rod, End with Locknut and Roll Pin	1	1
2		1028848-NLA	NLA - Pin, Roll (1/8" x 7/8")	1	1
3		0056000-NLA	NLA - O-Ring (1/2 x 7/8 x 3/16")	1	2
4		0054606-NLA	NLA - Screw, Hex Head (3/8-16 x 2")	1	2
5		0054106-NLA	NLA - Locknut, High Profile (3/8-16)	1	2
6		0053900-NLA	NLA - Washer, Nylon (3/8 x 13/16 x 1/16")	1	2
7	A	1119247-NLA	NLA - Actuator Motor Mounting Hardware	1	1
8	B	1154068	NLA - Kit, Actuator Motor, 6-1/2" Stroke	1	1
			Actuator Motor Assembly (6-1/2" Stroke)	1	1
			NLA - Pin, Roll (1/8" x 7/8")	1	1
			Instruction Sheet, PTO Actuator Installation	1	1

NOTE: A - Includes items 3-6
 B - Includes item 1, Actuator Motor & Instruction Sheet