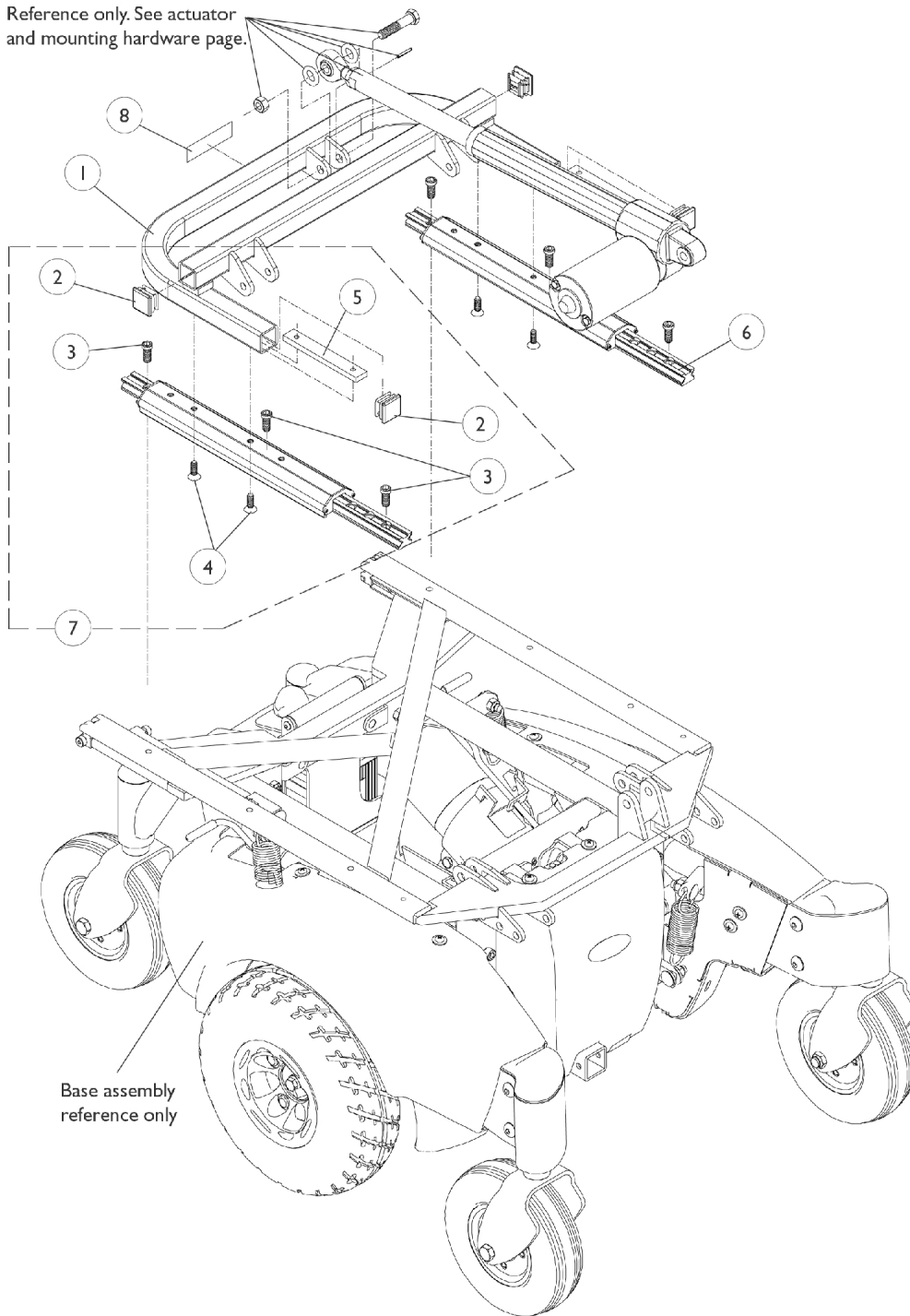


# Rear Frame and Mounting Hardware

Reference only. See actuator and mounting hardware page.



## Rear Frame and Mounting Hardware

Item Number	Note	Part Number	Description	Quantity Per	
				Package	Assembly
1		1087632-NLA	NLA - Frame Assembly w/o Decal, Black - Rear	1	1
2		1071237	Plug Button, Square, Black (1")	1	4
3		1117326-NLA	NLA - Screw, Socket Head w/ Patch (5/16-18 x 7/8")	1	6
4		1091869-NLA	NLA - Screw, Socket Flat Head w/ Patch (1/4-20 x 3/4")	1	4
5		1087652-NLA	NLA - Bar, Clamp, Color	1	2
6		1087732-NLA	NLA - Guide, Linear	1	2
7	A	1106539	Hardware, Rear Frame Mounting	1	1
8		1087602-NLA	NLA - Decal, Invacare Power Tilt Only	1	1

NOTE: A - Less Linear Guidance (Includes items 2-5)