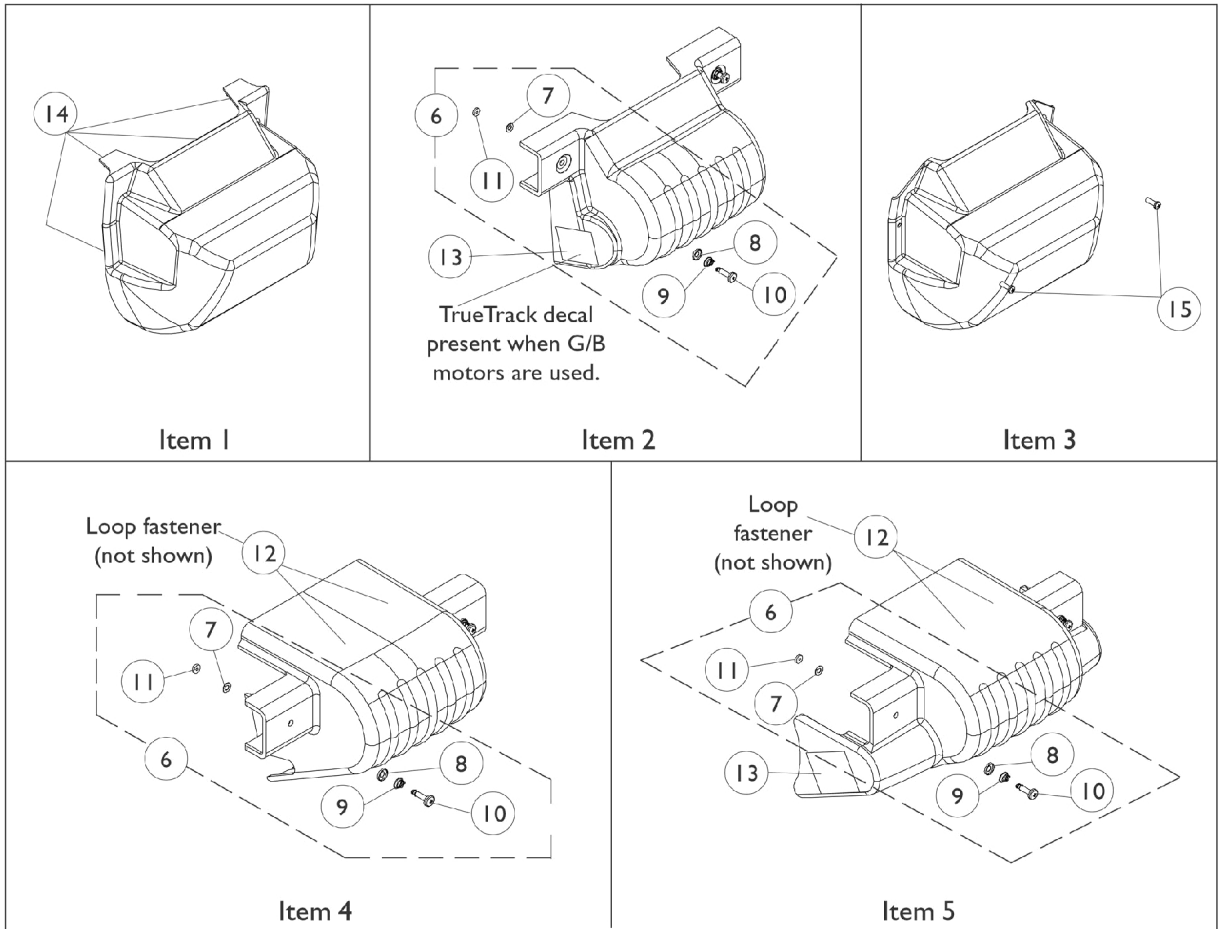


Controller Shroud Covers



Controller Shroud Covers

NOTE: All controller shroud covers include mounting hardware.

NOTE: Controller shroud covers used on RWD models only.

NOTE: Two controllers are identified as one chair with joystick and seating system controllers.

Seating System Type	Item 1	Item 2	Item 2	Item 3	Item 4	Item 5
	1091310-NLA	1104841-NLA	1104841-NLA See Note(s) A	1112684-NLA	1104839	1104822-NLA See Note(s) B
2GT	Before 7/16/01 w/ one or two controllers	7/16/01 thru 5/19/02 w/ one controller	After 7/15/01 to present w/ two controllers	After 5/19/02 (When short base and shock forks were introduced together and are present) w/ two controllers	After 5/19/02 (with or without shock forks and short base) w/ one controller and 4-pole motors or (GB motors w/ wheel locks)	After 5/19/02 (with or without shock forks and short base) w/ one controller and (GB motors without wheel locks)
2GR or 2GTR	Before 7/16/01 w/ two controllers	N/A	After 7/15/01 to present w/ two controllers	After 5/19/02 (When short base and shock forks were introduced together and are present) w/ two controllers	N/A	N/A

NOTE: A - Two TrueTrack decals must be ordered when G/B motors are present for chairs made after 6/2/02.
B - Shroud cover includes the TrueTrack decals and loop fasteners.

NOTE: All controller shroud covers include mounting hardware.

NOTE: Controller shroud covers used on RWD models only.

NOTE: Two controllers are identified as one chair with joystick and seating system controllers.

Controller Shroud Covers

Item Number	Note	Part Number	Description	Quantity Per	
				Package	Assembly
1-5		See Chart	Controller Shroud Covers	1	1
6	A	1104706-NLA	NLA - Kit, Controller Shroud Mounting Hardware (Pair)	2	1
7		1070580-NLA	NLA - Washer, Nylon Retainer (1/4 x 1/2 x 1/32")	1	2
8		1070581-NLA	NLA - Washer, Nylon Cupped (9/32 x 19/32 x 3/32")	1	2
9		1093312-NLA	NLA - Spring, Torsion Ejector	1	2
10	B	1110508-NLA	NLA - Stud, Phillips Recess (1/4" Dia. x 1" Long, 1/4 Turn)	1	2
11		1110509-NLA	NLA - Retainer, Stud (1/4" Turn)	1	2
12		1079246-NLA	NLA - Fastener, Loop Adhesive Back (1" W x 3" L)	1	2
13		1104799-NLA	NLA - Decal, TrueTrack	1	2
14		1092662-NLA	NLA - Package, Fastener, Dual Lock 250 (1/2" W x 7/8" L)	10	1
15		1028755	Screw, Phillips Pan Head (#10-32 x 5/8")	1	2
NOTE: A - Includes items 7-11					
B - Due to a hardware change, when item 10 is requested, refer to Item 6 for chairs manufactured before 2/21/02					