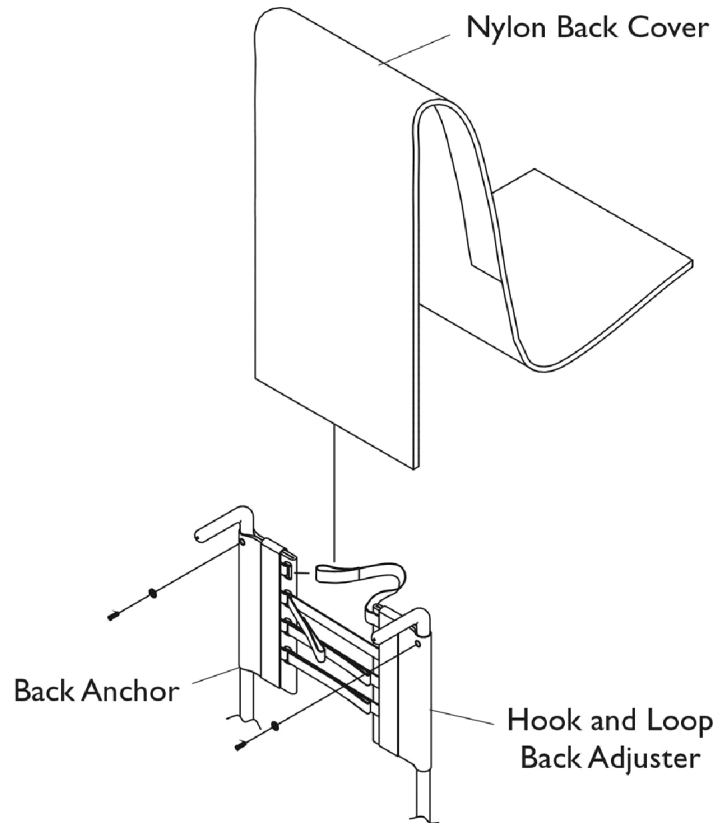


Adjustable Tension Back Upholstery



Adjustable 10-14" Back Height

Seat Width	Back Anchor	Hook & Loop Adjuster	Back Cover	Back Assembly See Note(s) A
10"	1046405-NLA	1061122-NLA	1061121-NLA	N/A
11"	1046405-NLA	1061122-NLA	1061124-NLA	N/A
12"	1037927	1052739-NLA	1050685-NLA	1052743-NLA
13"	1037927	1052739-NLA	1050688	1052744-NLA
14"	1037927	1037936-NLA	1037929	1039471
15"	1037927	1037936-NLA	1037930	1039472
16"	1037927	1037936-NLA	1037931	1039473
17"	1037927	1037928	1037932	1039474
18"	1037927	1037928	1037933	1039475
19"	1037927	1037937	1037934	1039476
20"	1037927	1037937	1037935	1039477
22"	1037927	1108327-NLA	1108323-NLA	N/A

NOTE: A - Back Assembly includes Back Anchor, Hook & Loop Adjuster, Back Cover, and Instruction Sheet.

Adjustable Tension Back Upholstery

Adjustable 12-16" Back Height

Seat Width	Back Anchor	Hook & Loop Adjuster	Back Cover	Back Assembly See Note(s) A
12"	1037916	1052740-NLA	1050686-NLA	1052745-NLA
13"	1037916	1052740-NLA	1050689	1052746-NLA
14"	1037916	1037925	1037918	1039478
15"	1037916	1037925	1037919	1039479
16"	1037916	1037925	1037920	1039480
17"	1037916	1037917	1037921	1039481
18"	1037916	1037917	1037922	1039482
19"	1037916	1037926	1037923	1039483
20"	1037916	1037926	1037924	1039484
22"	1037916	1108328-NLA	1108324-NLA	N/A

NOTE: A - Back Assembly includes Back Anchor, Hook & Loop Adjuster, Back Cover, and Instruction Sheet.

Adjustable Tension Back Upholstery

Adjustable 14-18" Back Height

Seat Width	Back Anchor	Hook & Loop Adjuster	Back Cover	Back Assembly See Note(s) A
12"	1037720-NLA	1052741-NLA	1050687-NLA	1052747-NLA
13"	1037720-NLA	1052741-NLA	1050690	1052748-NLA
14"	1037720-NLA	1037736	1037722	1039485
15"	1037720-NLA	1037736	1037723	1039486
16"	1037720-NLA	1037736	1037724	1039487
17"	1037720-NLA	1037721	1037725	1039488-NLA
18"	1037720-NLA	1037721	1037726	1039489-NLA
19"	1037720-NLA	1037737	1037727	1039490-NLA
20"	1037720-NLA	1037737	1037728	1039491
22"	1037720-NLA	1108329-NLA	1108325	N/A

NOTE: A - Back Assembly includes Back Anchor, Hook & Loop Adjuster, Back Cover, and Instruction Sheet.

Fixed 20" Back Height

Seat Width	Back Anchor	Hook & Loop Adjuster	Back Cover	Back Assembly See Note(s) A
14"	1046731	1046732	1046735-NLA	1046742
15"	1046731	1046732	1046736	1046743
16"	1046731	1046732	1046737	1046744
17"	1046731	1046733	1046738	1046745
18"	1046731	1046733	1046739	1046746
19"	1046731	1046734	1046740	1046747
20"	1046731	1046734	1046741	1046748
22"	1046731	1108330-NLA	1108326-NLA	N/A

NOTE: A - Back Assembly includes Back Anchor, Hook & Loop Adjuster, Back Cover, and Instruction Sheet.

Adjustable Tension Back Upholstery

Adjustable Tension Back Hardware

Item Number	Note	Part Number	Description	Quantity Per	
				Package	Assembly
	A	1026298	Package, Screw with Washer (#10 x 7/8") (Pair)	2	1
	A,B	1039470-NLA	NLA - Instruction Sheet, Adjustable Tension Back Upholstery	1	1
	A	See Chart	Adjustable 10-14" Back Height	1	1
	A	See Chart	Adjustable 12-16" Back Height	1	1
	A	See Chart	Adjustable 14-18" Back Height	1	1
	A	See Chart	Fixed 20" Back Height	1	1
NOTE: A - Not Shown B - Item is no longer available from the Invacare Service Parts Department. Refer to the Invacare Website under "Product Literature Search". Enter the part number in the "Keywords" field and download a free PDF version copy.					