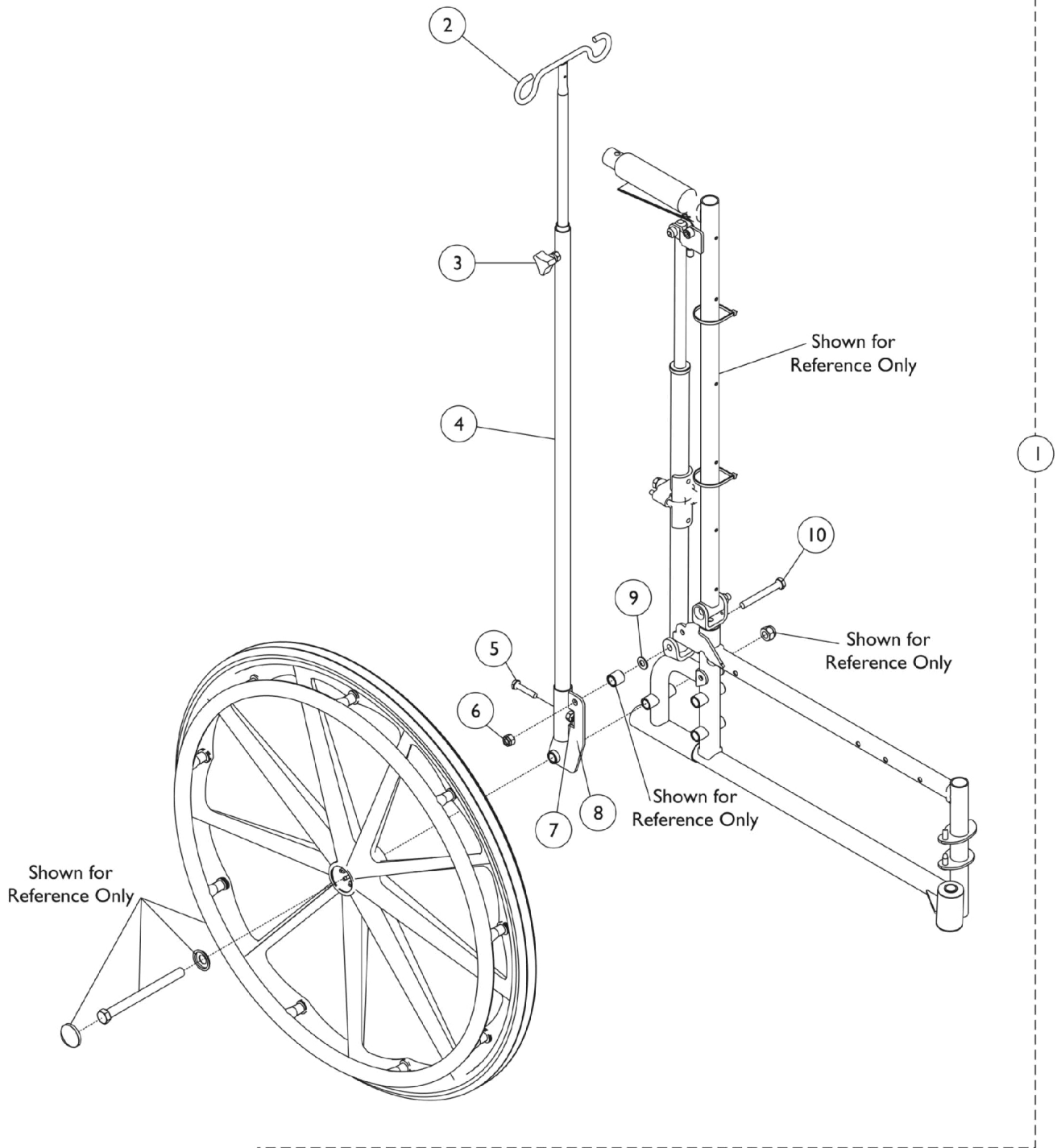


# Recliner Only

## I.V. Rod & Bracket - 1322SXR



## Recliner Only

Item Number	Note	Part Number	Description	Quantity Per	
				Package	Assembly
1	A	1110154	Telescoping I.V. Rob Assembly, Recliner, Black	1	1
2			Rod, I.V., Recliner, Black	1	1
3			Knob, Adjustment, Black	1	1
4			Tube, Support, I.V. Rod, Black	1	1
5			NLA - Screw, Hex Head (1/4-20 x 1-1/4")	1	1
6			Locknut, (5/16-24)	1	1
7			Locknut (1/4-20)	1	1
8			Tube, I.V. Holder, Black	1	1
9			Washer, Steel (11/32 x 5/8 x 3/64")	1	1
10			Screw, Hex Head (5/16-24 x 2-1/2")	1	1
	B	1095497	Decal, Invacare Logo (1.6)	1	1
	B	1114820	Instruction Sheet	1	1

NOTE: A - Includes items 2-10 and an instruction sheet.

B - Not Shown.