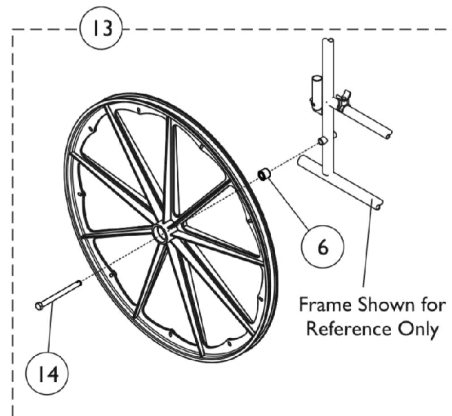
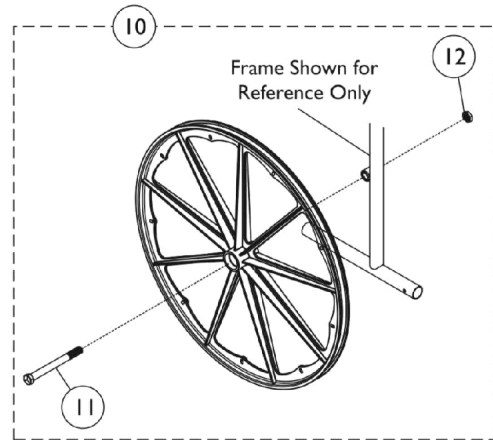
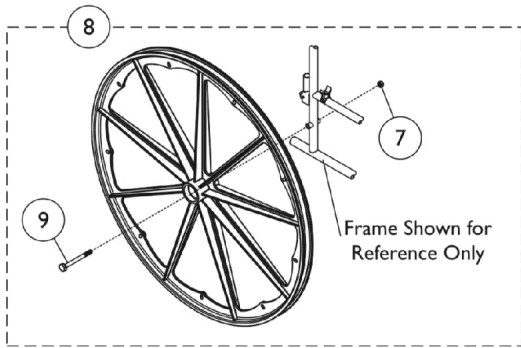
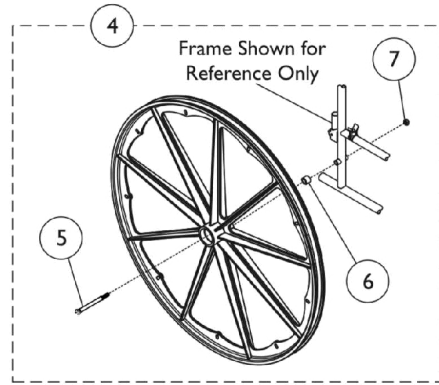
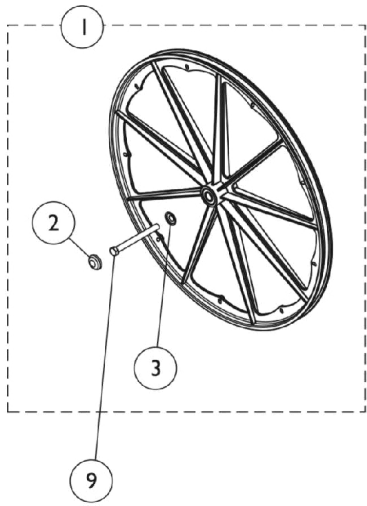


# Rear Wheel Hardware



## Rear Wheel Hardware

Item Number	Note	Part Number	Description	Quantity Per	
				Package	Assembly
1	A	1047943	Kit, Rear Wheel Hub Hardware	1	1
2			Cap, Hub, Black	1	1
3			Washer, Caplugs (15/32" I.D. x 1-3/32" O.D.)	1	1
4	B,C	1034109-NLA	NLA - Kit, Rear Wheel Hardware, Conventional	1	1
5			Bolt, Hex Head Cap (7/16-20 x 5-1/8")	1	1
6			Spacer (7/16 x 5/8 x 1/2")	1	1
7			Locknut (7/16-20)	1	1
5		1085454	Bolt, Hex Head Cap (7/16-20 x 5-1/8")	1	1
6		1022671	Spacer (7/16 x 5/8 x 1/2")	1	1
7		1045608	Locknut (7/16-20)	1	1
8	D,E	1034106	Kit, Rear Wheel Hardware	1	1
7			Locknut (7/16-20)	1	1
9			Screw, Hex Head (7/16-20 x 4-1/2")	1	1
10	F	1043246	Kit, Rear Wheel Hardware	1	1
11			Locknut (5/8-18)	1	2
12			Screw, Hex Head (5/8-18 x 4")	1	2
13	H	1034113	Kit, Quick Release Rear Wheel Hardware, Conventional	1	1
6			Spacer (7/16 x 5/8 x 1/2")	1	1
14			Axle, Quick Release (7/16" x 5-7/16")	1	1
9		47203X029	Screw, Hex Head (7/16-20 x 4-1/2")	1	1

NOTE: A - Includes items 2 and 3.  
 B - Kit includes items 5-7. KIT is No Longer Available. Must order the components separately along with 1047943.  
 C - For use on SX5 Flip Back Arm Chairs or Removable Arm Chairs.  
 D - Used on Permanent Arm Frame Chairs.  
 E - Includes Items 7 and 9.  
 F - Includes Items 11 and 12. Used for Fixed Front Frame Models only.  
 H - Includes items 6 and 14.