

ICC - Bed CS5



Yes, you can.

Parts Catalog Usage Guide

The information contained in this document is subject to change without notice. This catalog contains service parts for Form No. 13-229. If you have any questions regarding this catalog, please contact one of our Customer Service Representatives.

For Customer Service Support Call:

1-800-333-6900

For Faxed In Orders Call:

1-800-678-4682 or

1-440-366-0709

For Technical Service Call:

1-800-832-4707

Literature Can Be Found at:

www.invacare.com or

1-800-828-6272

SYMBOL DEFINITION

Throughout this catalog you will notice letters to draw your attention to specific footnotes which are located at the bottom of the page or below specified charts.

Examples:

A,B,C etc. = Special Comments

NOTE: = General information pertaining to that specific page

NLA = No Longer Available

HARDWARE MEASUREMENTS

The measurements for the hardware will be listed as follows:

Screws, Bolts Diameter X Thread Count/Pitch X Length

Washers Inside Diameter X Outside Diameter X Thickness

Spacers Inside Diameter X Outside Diameter X Length

For your convenience, we have supplied an area for you to list your Invacare Representatives.

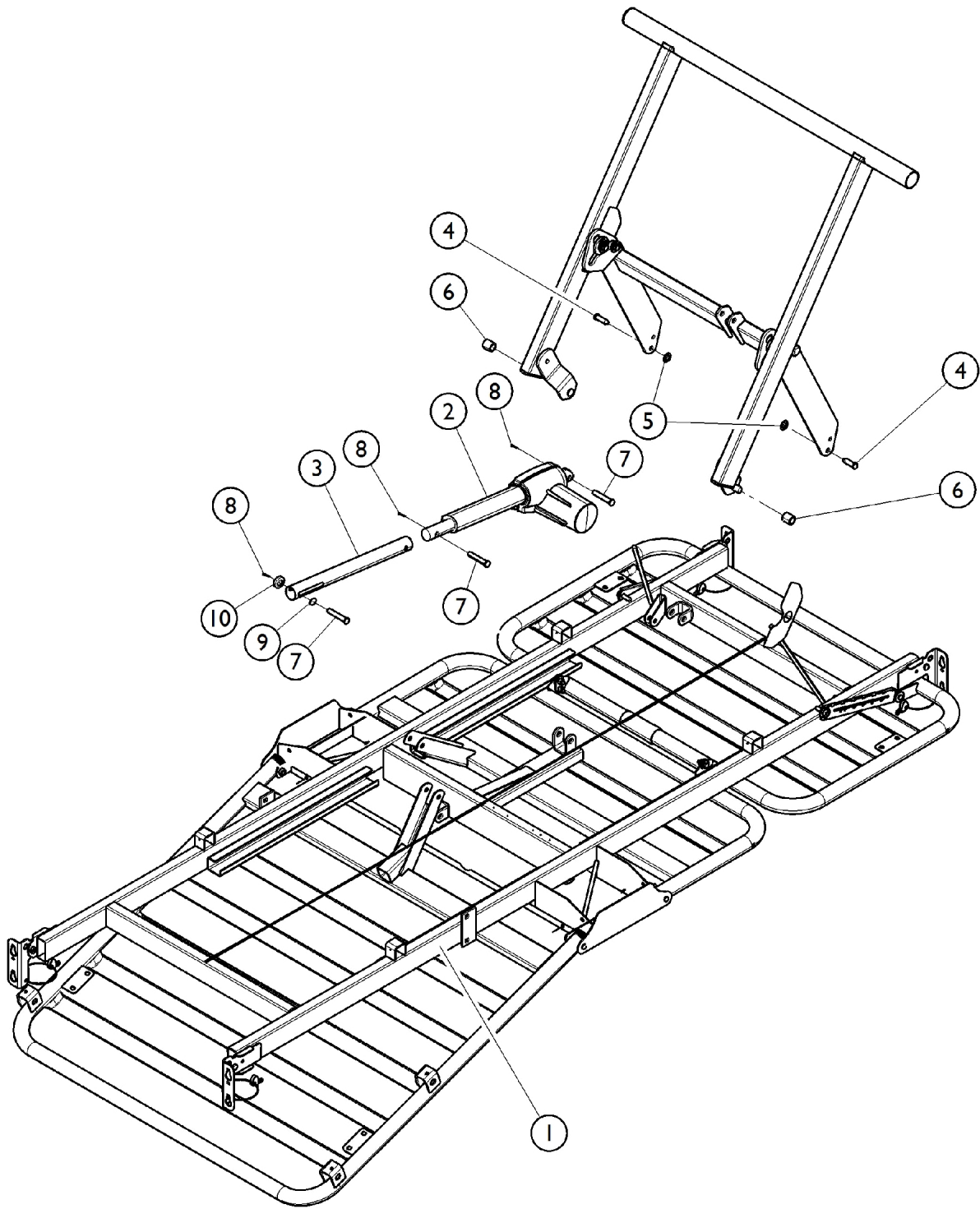
Name	Phone Numbers

© 2022 Invacare Corporation. All rights reserved. Republication, duplication or modification in whole or in part is prohibited without prior written permission from Invacare. Trademarks are identified by ™ and ®. All trademarks are owned by or licensed to Invacare Corporation or its subsidiaries unless otherwise noted.

TABLE of CONTENTS

Description	Page Number
01. Bed Frame	3
02. Frame Deck Assembly	5
03. Leg Link Assembly with Casters	7
04. Leg Link Assembly with Floor Brake	8
05. Dual Steering and Non-Steering Caster Assembly	9
06. Electrical Components	11
07. Wire Assembly	13
08. Assist Bar	15
09. Assist Rail	17
10. Assist Bar and Rail Hardware	19
11. Positional Devices	21
12. Partial Rail	23
13. Headboard and Footboard	25
14. Footboard - ACP without Trendelenburg Feature	27
15. Headboard and Footboard Hardware	29
16. Miscellaneous Electronics - Battery and Actuators	31
17. Miscellaneous Electronics - Backups and Controls	32
18. Miscellaneous Options - Extensions and Holder	33
19. Miscellaneous Options - Decks and Wireforms	34
20. Trapeze	35
21. Bed Transporter	37

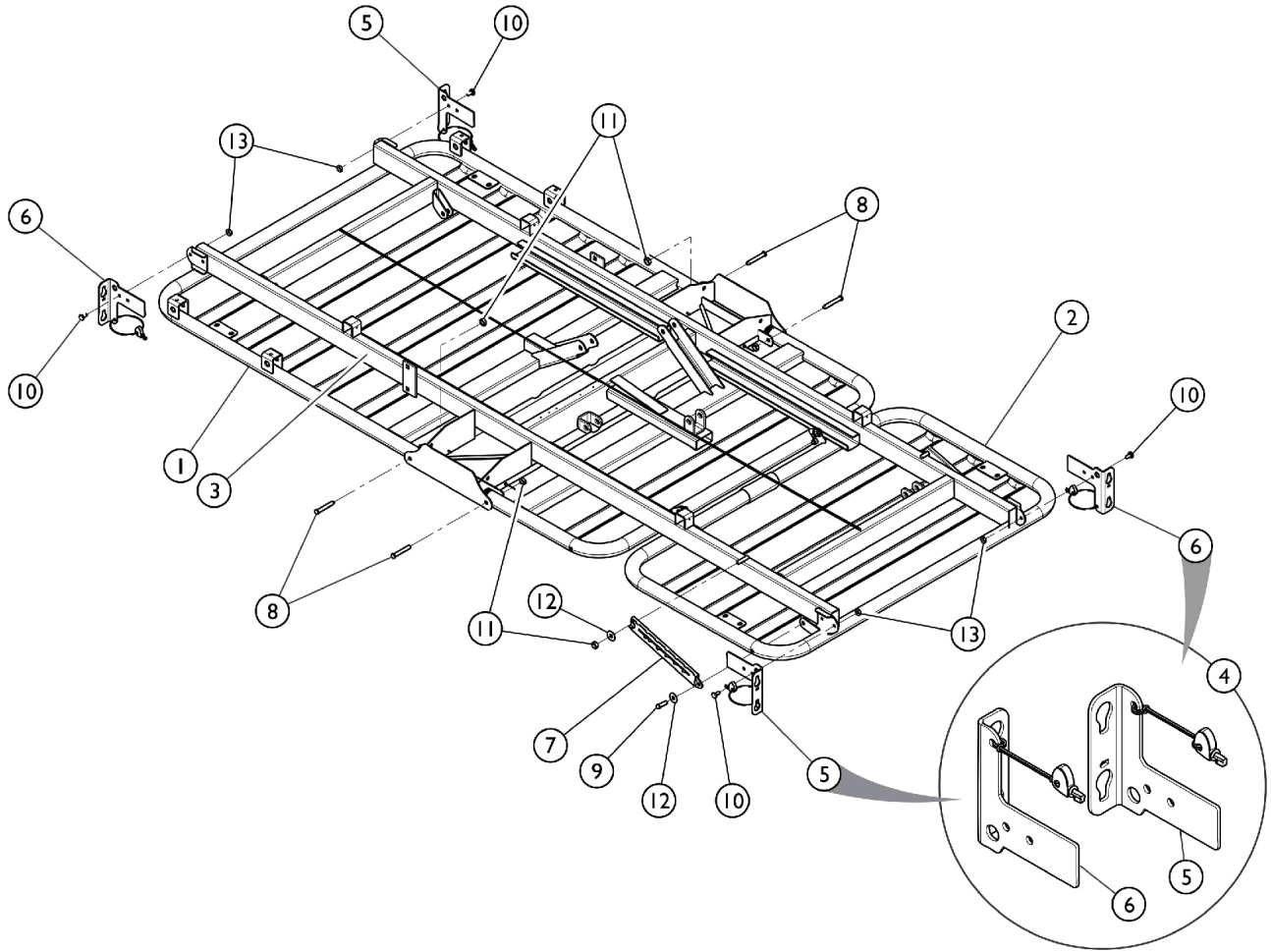
Bed Frame



Bed Frame

Item Number	Note	Part Number	Description	Quantity Per	
				Package	Assembly
1		1149706-NLA	NLA - Frame, Bed	1	3
2		1147532	Actuator, Foot (LA27-U042-01)	1	1
3		1149695	Extension Tube, Motor - Foot	1	4
4		1147524-NLA	NLA - Clevis Pin, Leg Link	1	1
5		1147566	Nut, Push (3/8")	1	4
6		1144984-NLA	NLA - Bushing, Glide - White	1	1
7		1186864	Clevis Pin (3/8 x 2" L)	1	3
8		PINBOW38-NLA	NLA - Cotter Pin, Bowtie (3/8")	1	3
9		1186872-NLA	NLA - Spacer, Foot Motor Extension Tube, Plastic	1	1
10		1186857-NLA	NLA - Washer, Nylon (3/8 x 3/4 x 1/16")	1	4

Frame Deck Assembly



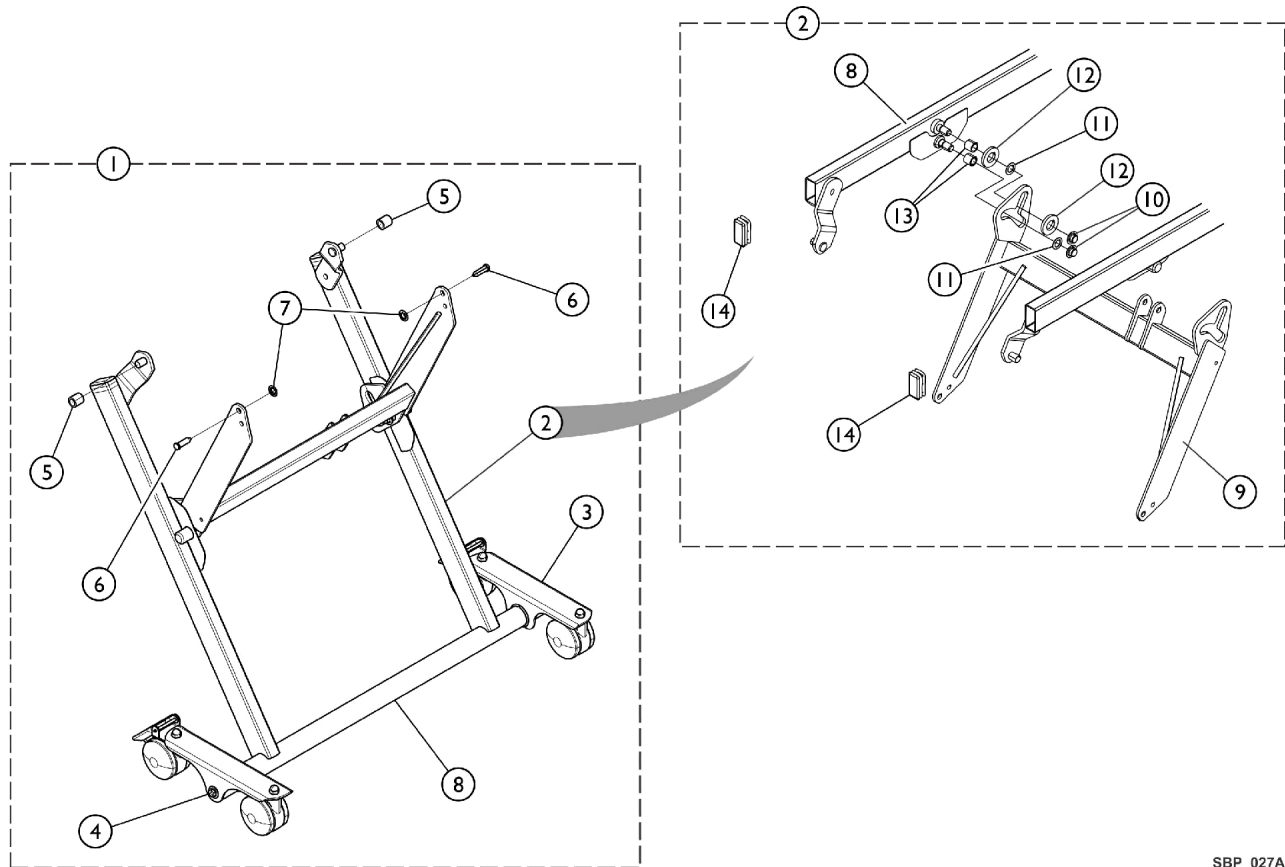
SBP_044A

Frame Deck Assembly

Item Number	Note	Part Number	Description	Quantity Per	
				Package	Assembly
1		1158933	Head Section, Bed (36" W)	1	1
1		1165156	Head Section, Bed (39" W)	1	1
1		1165158	Head Section, Bed (42" W)	1	1
2	C	1157351	Foot and Thigh Section, Bed (36" W)	1	1
2	A	1165160	Foot and Thigh Section, Bed (39" W)	1	1
2	A	1165162	Foot and Thigh Section, Bed (42" W)	1	1
3		1149706-NLA	NLA - Frame, Bed	1	1
4	B	1159596	Kit, Bracket, Bed End - Foot (Pair)	2	2
5			Bracket, Bed End, Adjustable, Foot - Right	1	1
6			Bracket, Bed End, Adjustable, Foot - Left	1	1
5		1159590	Bracket, Bed End, Adjustable, Foot - Right	1	2
6		1159591	Bracket, Bed End, Adjustable, Foot - Left	1	2
7		1153762	Link, Knee Lift	1	2
8		1147565	Clevis Pin, Deck to Frame (36" W)	1	4
8		1165153	Kit, Deck Hardware (39" W)	1	1
8		1165154	Kit, Deck Hardware (42" W)	1	1
9		PIN51634-NLA	NLA - Pin, Clevis (5/16" x 3/4")	1	2
10		1186877-NLA	NLA - Bolt, Attachment (1/4-20)	1	4
11		1186909-NLA	NLA - Nut, Push (5/16)	1	5
12		1186857-NLA	NLA - Washer, Nylon (3/8 x 3/4 x 1/16")	1	2
13		1186860-NLA	NLA - Lock Nut, Purple Insert (1/4-20)	1	4

NOTE: A - Sent together with (6) NUT516PN.
 B - For Beds built prior to 5/2008, use 1159596 as its replacement. See category "Head and Foot Boards" to order corrects Head and Footboards.
 C - Sent together with Screws (4), Nuts (4), and Washers (2).

Leg Link Assembly w/ Casters

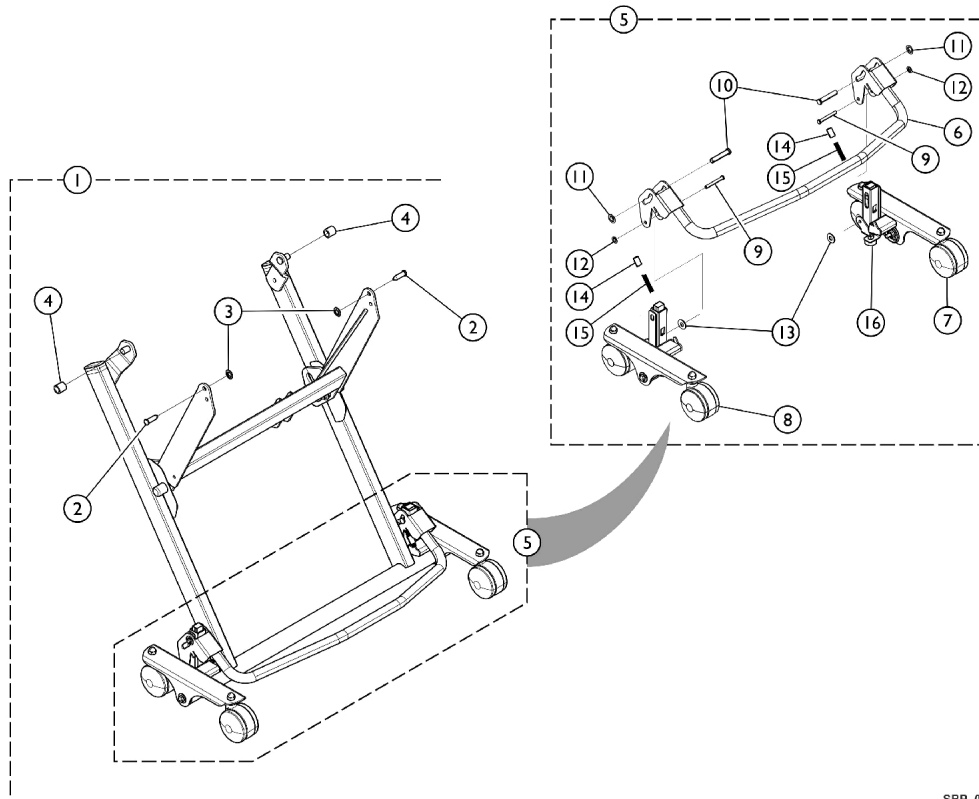


SBP_027A

Item Number	Note	Part Number	Description	Quantity Per	
				Package	Assembly
1	A	1156563	Leg and Link Assembly (w/ Casters)	1	1
2	B	1147534	Leg and Link Assembly	1	1
3		1147608	Dual Caster Steering Assembly - Left (3")	1	1
4		1147607	Dual Caster Steering Assembly - Right (3")	1	1
5		1144984-NLA	NLA - Bushing, Glide - White	1	2
6		1147524-NLA	NLA - Clevis Pin, Leg Link	1	2
7		1147566	Nut, Push (3/8")	1	2
8		1149705-NLA	NLA - Leg, Bed	1	1
9		1149704-NLA	NLA - Link, Stabilizer	1	1
10		1147519-NLA	NLA - Nut, Push	1	4
11		1147612-NLA	NLA - Washer, Flat - Plain	1	4
12		1147541	Washer, Flat - Nylon	1	4
13		1145036-NLA	NLA - Bushing, Cam - Steel	1	4
14		1186878-NLA	NLA - Plug, Universal (1" x 2" - PLG-1-2-14)	1	2

NOTE: A - Includes items 2 - 8.
B - Includes items 8 - 14.

Leg Link Assembly w/ Floor Brake

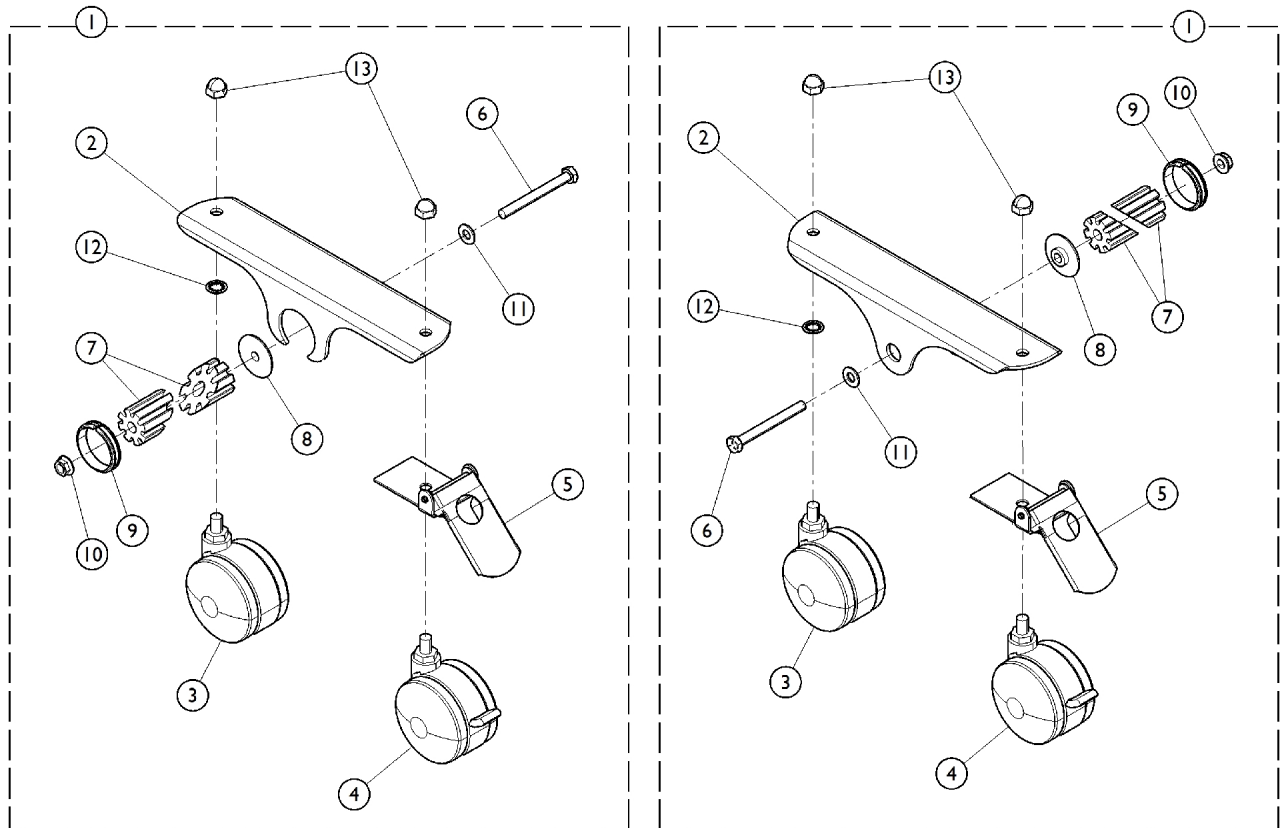


SBP 026A

Item Number	Note	Part Number	Description	Quantity Per	
				Package	Assembly
1	A	1156565	Leg and Link Assembly (w/ Floor Lock)	1	1
2		1147524-NLA	NLA - Clevis Pin, Leg Link	1	2
3		1147566	Nut, Push (3/8")	1	2
4		1144984-NLA	NLA - Bushing, Glide - White	1	2
5	B	1149702-NLA	NLA - Floor Lock Assembly	1	1
6		1147260-NLA	NLA - Pedal, Brake	1	1
7		1147262	Caster Bracket Assembly, Foot End - Left	1	1
8		1147261	Caster Bracket Assembly, Foot End - Right	1	1
9		1147224-NLA	NLA - Clevis Pin, Pedal Flange	1	2
10		1186864	Clevis Pin (3/8 x 2" L)	1	2
11		1147566	Nut, Push (3/8")	1	2
12		1153363	Nut, Push (1/4")	1	2
13		1186872-NLA	NLA - Spacer, Foot Motor Extension Tube, Plastic	1	2
14		1152588-NLA	NLA - Bushing, Spring - Nylon	1	2
15		1147230-NLA	NLA - Spring, Compression - Brake Pedal	1	2
	C	1147534	Leg and Link Assembly	1	1
16		1147218	Bumper, Brake Assembly	1	2

NOTE: A - Includes items 2 - 5 and 1147534.
 B - Includes items 6 - 16.
 C - See Section 3 "Leg Link Assembly w/ Casters" to order replacement parts.

Dual Steering and Non-Steering Caster Assembly

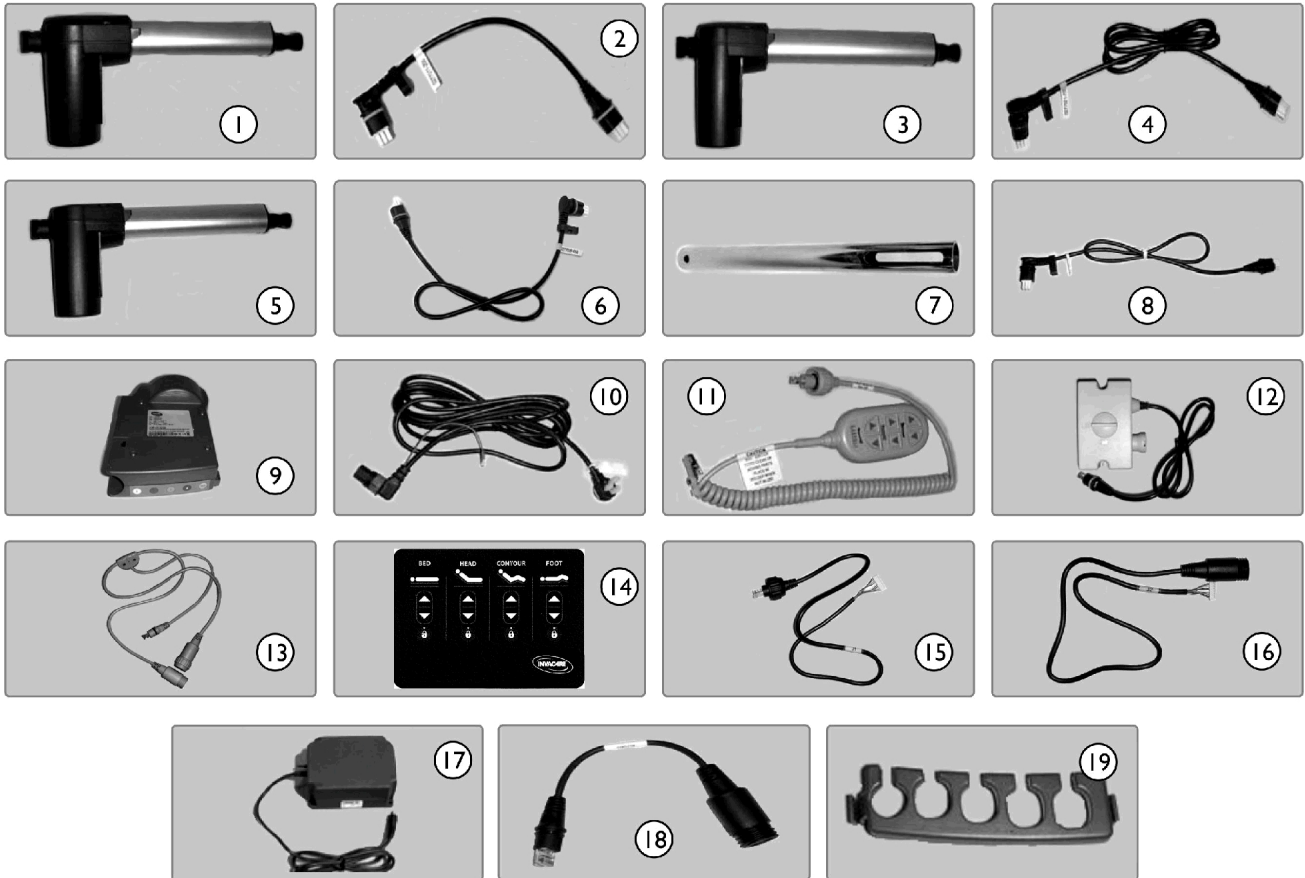


Dual Steering and Non-Steering Caster Assembly

Item Number	Note	Part Number	Description	Quantity Per	
				Package	Assembly
1	A	1147607	Dual Caster Steering Assembly - Right (3")	1	1
2		1147606	Bracket, Caster - Painted	1	1
3		1147526	Caster, Non-Locking (3")	1	1
4		1147527	Caster, Locking (3")	1	1
5		1153746-NLA	NLA - Steering Bracket Assembly	1	1
6		1186906-NLA	NLA - Screw, Hex Head (5/16 x 3")	1	1
7		1143736-NLA	NLA - Bushing, Wedge - Lower Leg	2	1
8		1152558-NLA	NLA - Washer, Plastic	1	1
9		1147513-NLA	NLA - Dual Trim, Caster Bracket	1	1
10		1186907-NLA	NLA - Nut, Hex Head, Flange (5/16-18)	1	1
11		1186908-NLA	NLA - Washer, Plain (.370 x .868 x .064)	1	1
12		1152559	Washer, Lock, Internal Tooth	1	1
13		1147523-NLA	NLA - Nut, Acorn	1	2
1	A	1147608	Dual Caster Steering Assembly - Left (3")	1	1
2		1147606	Bracket, Caster - Painted	1	1
3		1147526	Caster, Non-Locking (3")	1	1
4		1147527	Caster, Locking (3")	1	1
5		1153746-NLA	NLA - Steering Bracket Assembly	1	1
6		1186906-NLA	NLA - Screw, Hex Head (5/16 x 3")	1	1
7		1143736-NLA	NLA - Bushing, Wedge - Lower Leg	2	1
8		1152558-NLA	NLA - Washer, Plastic	1	1
9		1147513-NLA	NLA - Dual Trim, Caster Bracket	1	1
10		1186907-NLA	NLA - Nut, Hex Head, Flange (5/16-18)	1	1
11		1186908-NLA	NLA - Washer, Plain (.370 x .868 x .064)	1	1
12		1152559	Washer, Lock, Internal Tooth	1	1
13		1147523-NLA	NLA - Nut, Acorn	2	1
	B,C	1147533-NLA	NLA - Dual Non-Steering Caster Assembly - Right (3")	1	1
	B,D	1156581-NLA	NLA - Dual Non-Steering Caster Assembly - Left (3")	1	1

NOTE: A - Kit includes items 2 - 13.
 B - Not Shown. Includes items 2-4 and 6-13. Steering Bracket item #5 is not included.
 C - Part number 1147533 is no longer available. Use part number 1147607 as a replacement.
 D - Part number 1156581 is no longer available. Use part number 1147608 as a replacement.

Electrical Components



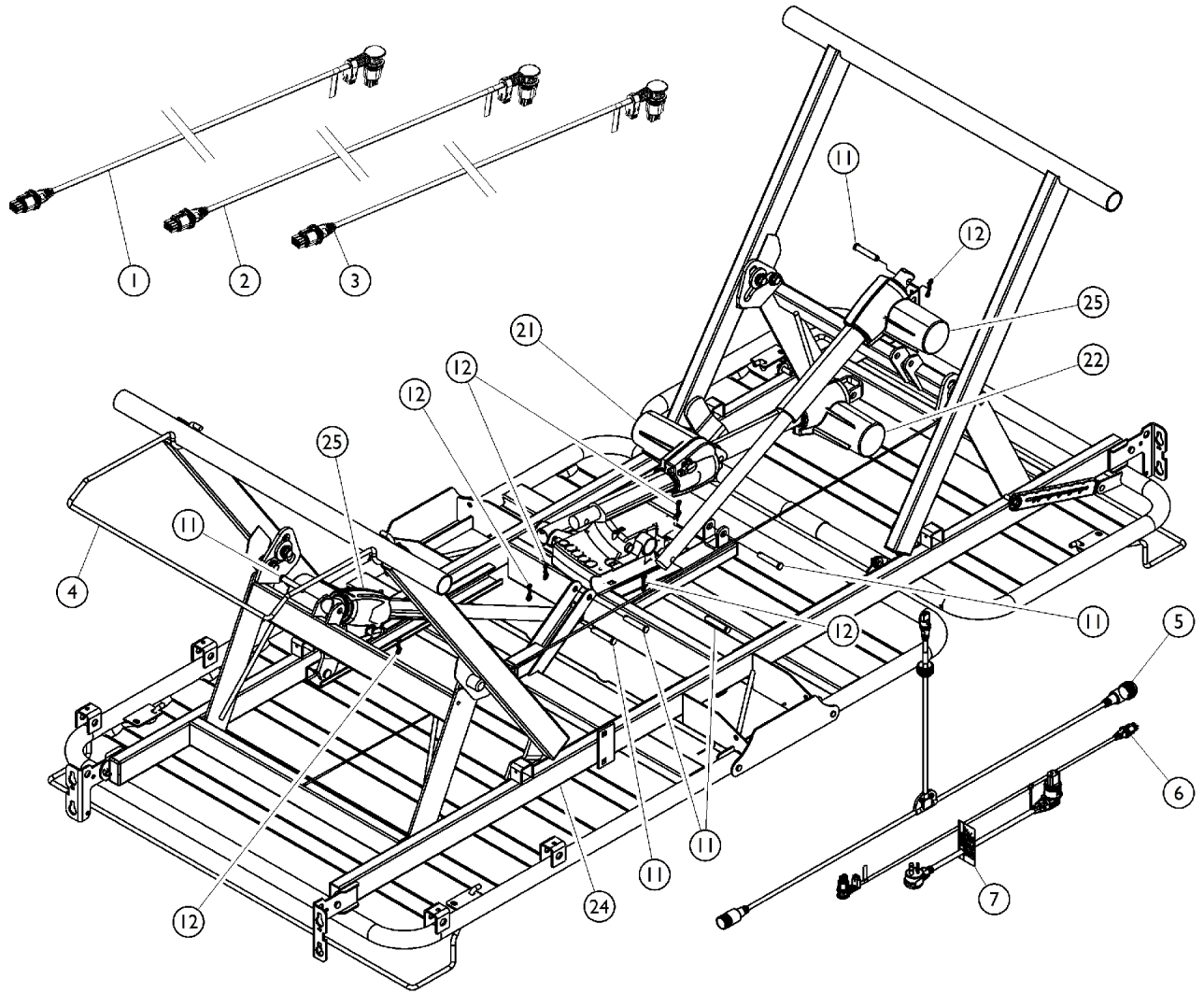
SBP_029B

Electrical Components

Item Number	Note	Part Number	Description	Quantity Per	
				Package	Assembly
1		1159613	Actuator, Head (LA27-U041-01)	1	1
2		1116641	Cable, Head Actuator w/ Blue O-Ring	1	1
3		1147532	Actuator, Foot (LA27-U042-01)	1	1
4		1116642	Cable, Foot Actuator w/ Yellow O-Ring	1	1
5		1142183	Actuator, Hi/Lo (LA27-U061-00)	1	2
6		1116640	Cable, Hi-Lo Motor w/ Red O-Ring (Head End)	1	1
7		1149695	Extension Tube, Motor - Foot	1	1
8		1147601	Cable, Hi/Lo Motor w/ Black O-Ring (Foot End)	1	1
9		1159601	Control Box, 120 Volts (CB6038-XX)	1	1
10		1165079	Power Cord	1	1
11		1158391	Pendant (PNDNT-6FNC-I-2)	1	1
12		1157344	Box, Lockout, Neeco-Tron	1	1
13	A	1158433	Cable, T, w/o Footboard Staff Control (Standard)	1	1
14		1156571	Membrane, 151, CS3/5 (No Contour)	1	1
15		1151720	Cable, Inboard Male - J1	1	1
16		1151721	Cable, Inboard Female - J2	1	1
17	B	1175549-NLA	NLA - Battery, On Board Backup w/ Hardware	1	1
17		1152564	Battery, On Board Backup w/ Hardware	1	1
18		1151719	Pendant Crossover Cable	1	1
19		1116655	Lock, Cable	1	1

NOTE: A - Requires (2) T-Cables for Lock Out Box and Membrane.
 B - 1175549 is NLA. Use item #17 1152564 as a replacement.

Wire Assembly

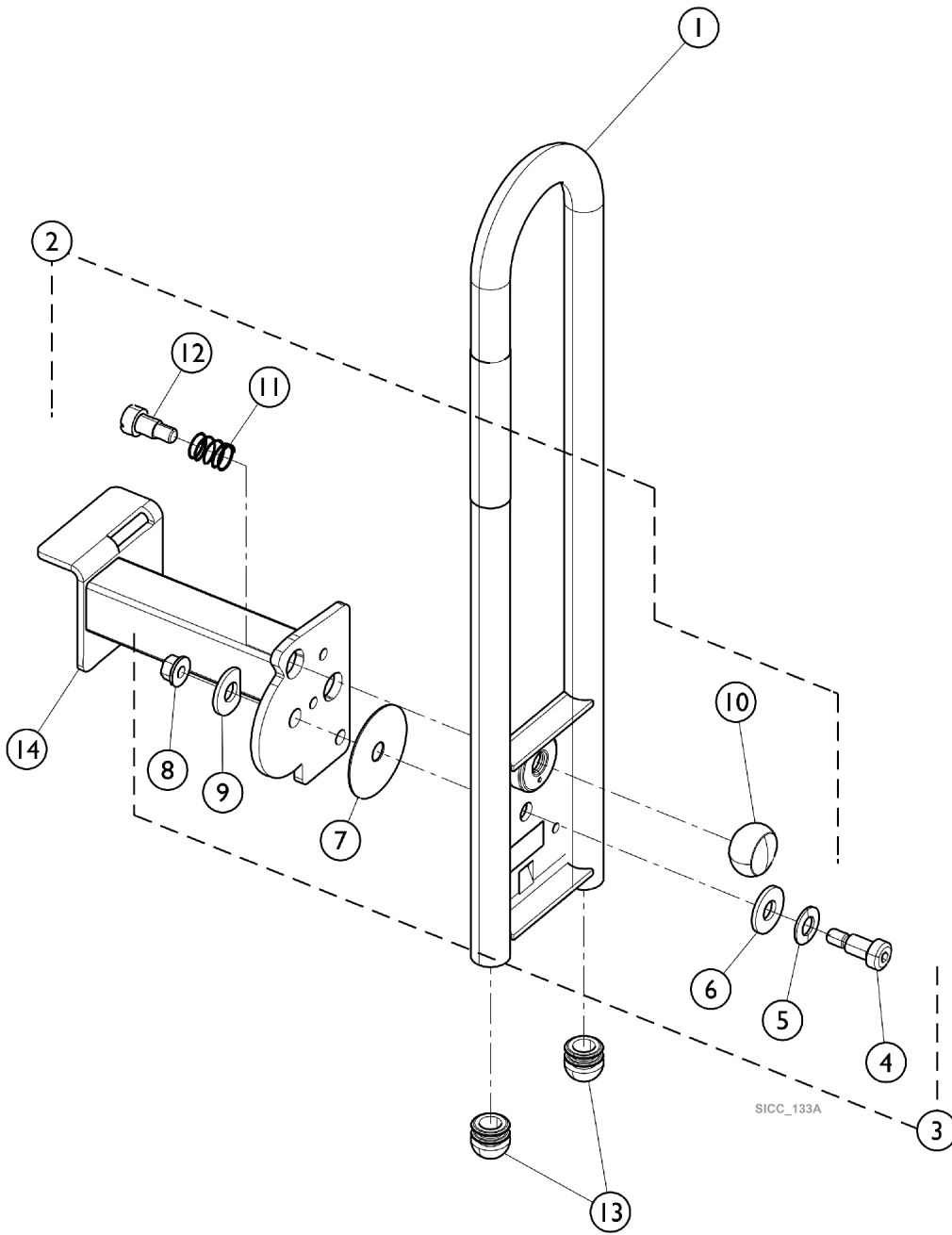


Wire Assembly

Item Number	Note	Part Number	Description	Quantity Per	
				Package	Assembly
1		1116640	Cable, Hi-Lo Motor w/ Red O-Ring (Head End)	1	1
2		1116641	Cable, Head Actuator w/ Blue O-Ring	1	1
3		1116642	Cable, Foot Actuator w/ Yellow O-Ring	1	1
4		1152550	Wall Bumper Standard	1	1
5	A	1158433	Cable, T, w/o Footboard Staff Control (Standard)	1	1
6		1147601	Cable, Hi/Lo Motor w/ Black O-Ring (Foot End)	1	1
7		1165079	Power Cord	1	1
11		1186864	Clevis Pin (3/8 x 2" L)	1	6
12		PINBOW38-NLA	NLA - Cotter Pin, Bowtie (3/8")	1	6
21		1159613	Actuator, Head (LA27-U041-01)	1	1
22		1147532	Actuator, Foot (LA27-U042-01)	1	1
24		1149706	NLA - Frame, Bed	1	1
25		1142183	Actuator, Hi/Lo (LA27-U061-00)	1	1
		1186883-NLA	NLA - Wrap, Tie (8")	1	12

NOTE: A - Use (2) T-Cables required if using Footboard Staff Control.

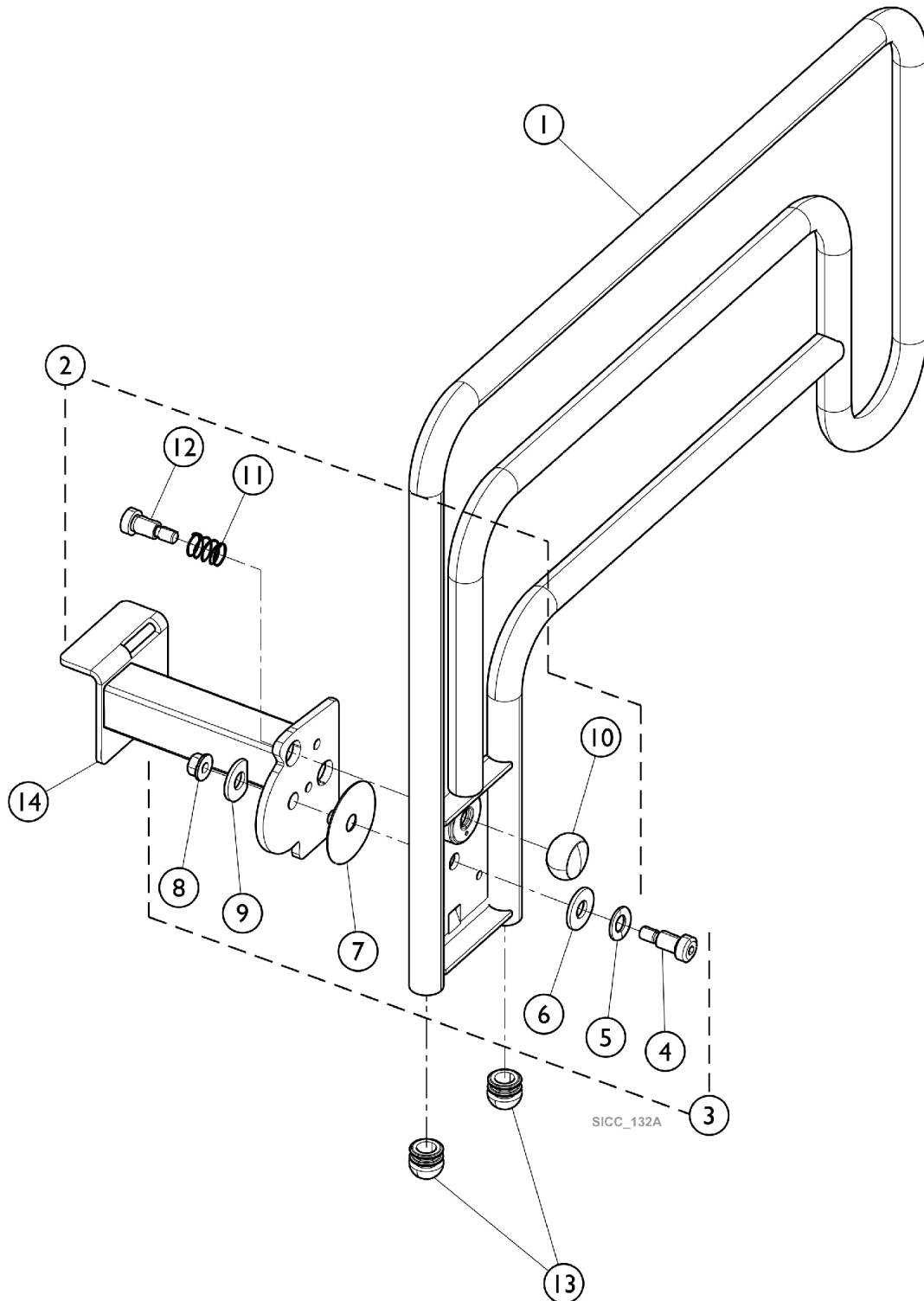
Assist Bar



Assist Bar

Item Number	Note	Part Number	Description	Quantity Per	
				Package	Assembly
1	A	IHCSBAAS-QSP	Assist Bar Assembly (36") (Pair)	1	1
1	A	IHCSBAAS-39	Assist Bar Assembly (39") (Pair)	1	1
1	A	IHCSBAAS-42	Assist Bar Assembly (42") (Pair)	1	1
2	B	1189259	Kit, Knob - Latch	1	1
			Knob, LATCH-0002 (3/8-16 x 1-3/8")	1	1
			Spring, Compression (3/4 x 1 x 3/64")	1	1
			Screw, Shoulder Slotted Head (1/2 x 1/2", 3/8-16)	1	1
3	C	1189260	Kit, Assist Rail Mounting	1	1
			Bolt, Shoulder (3/8-16 x 3/4")	1	1
			Washer, Belleville (33/64 x 1-1/64 x 3/32")	1	1
			Washer, Flat Edge (17-32 x 1-1/4 x 1/8")	1	1
			Washer, Nylon (33/64 x 2-1/2 x 3/64")	1	1
			Locknut (3/8-16)	1	1
			Washer, Plain (17/32 x 1-1/4 x 1/8")	1	1
11		1186856	Spring, Compression (3/4 x 1 x 3/64")	1	2
13		1165068	Package, End Plug	10	1
NOTE: A - Includes items 2-14 Right and Left Assist Bar Assemblies. B - Includes items 10, 11, and 12. C - Includes items 4 - 9.					
Item #14 highlighted in the illustration is non-saleable. Order Item #1 Assist Bar Assemblies.					

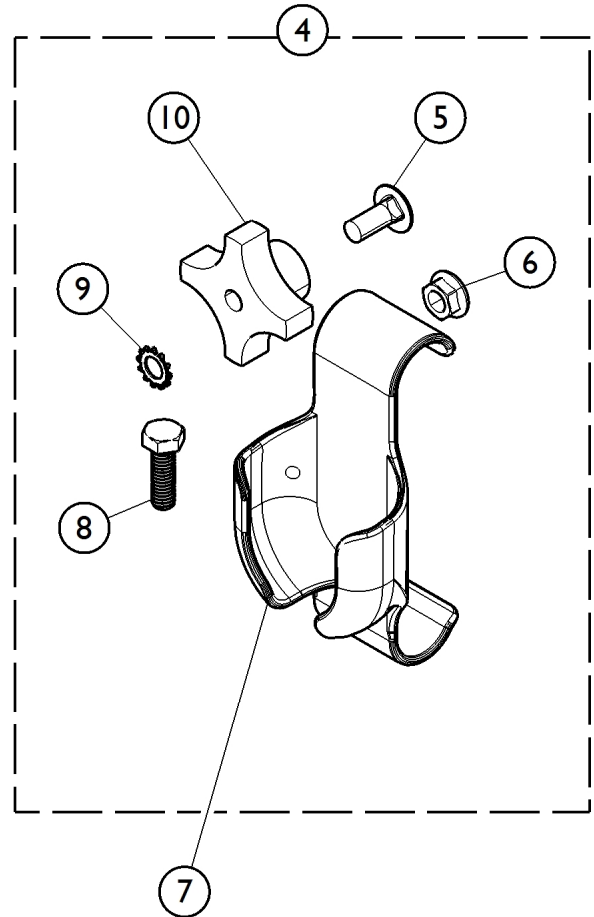
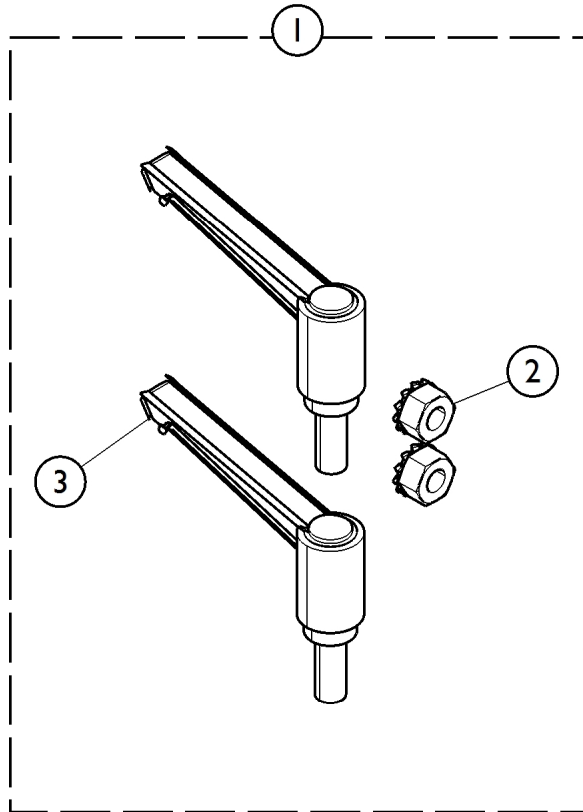
Assist Rail



Assist Rail

Item Number	Note	Part Number	Description	Quantity Per	
				Package	Assembly
1	A	IHCSRLAS-QSP	Assist Rail Assembly (36") (Pair)	1	1
1	A	IHCSRLAS-39	Assist Rail Assembly (39") (Pair)	1	1
1	A	IHCSRLAS-42	Assist Rail Assembly (42") (Pair)	1	1
2	B	1189259	Kit, Knob - Latch	1	1
			Knob, LATCH-0002 (3/8-16 x 1-3/8")	1	1
			Spring, Compression (3/4 x 1 x 3/64")	1	1
			Screw, Shoulder Slotted Head (1/2 x 1/2", 3/8-16)	1	1
3	C	1189260	Kit, Assist Rail Mounting	1	1
			Bolt, Shoulder (3/8-16 x 3/4")	1	1
			Washer, Belleville (33/64 x 1-1/64 x 3/32")	1	1
			Washer, Flat Edge (17-32 x 1-1/4 x 1/8")	1	1
			Washer, Nylon (33/64 x 2-1/2 x 3/64")	1	1
			Locknut (3/8-16)	1	1
			Washer, Plain (17/32 x 1-1/4 x 1/8")	1	1
11		1186856	Spring, Compression (3/4 x 1 x 3/64")	1	2
13		1165068	Package, End Plug	10	2
<p>NOTE: A - Includes items 2-14 Right and Left Assist Rail Assemblies. B - Includes items 10, 11, and 12. C - Includes items 4 - 9.</p>					
<p>Item #14 highlighted in the illustration is non-saleable. Order Item #1 Assist Rail Assemblies.</p>					

Assist Bar and Rail Hardware

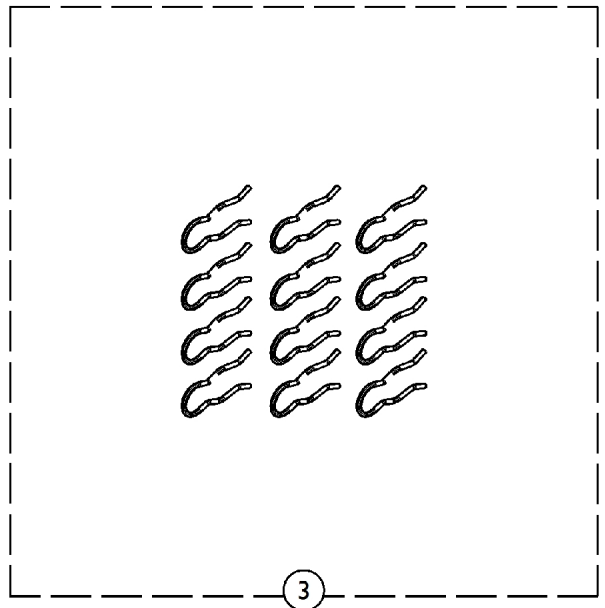
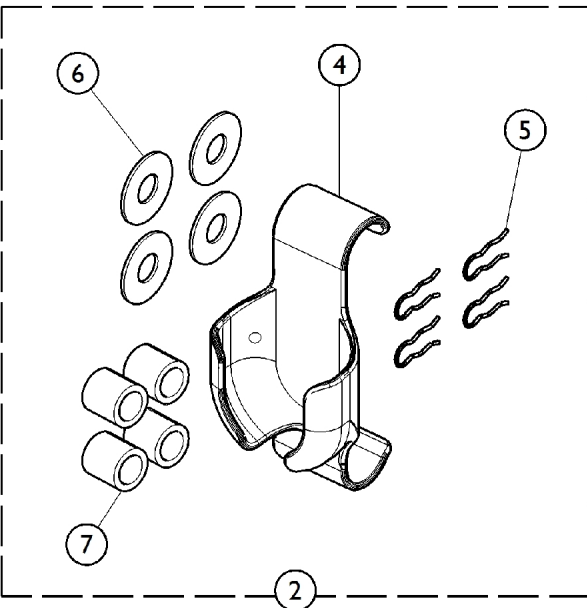
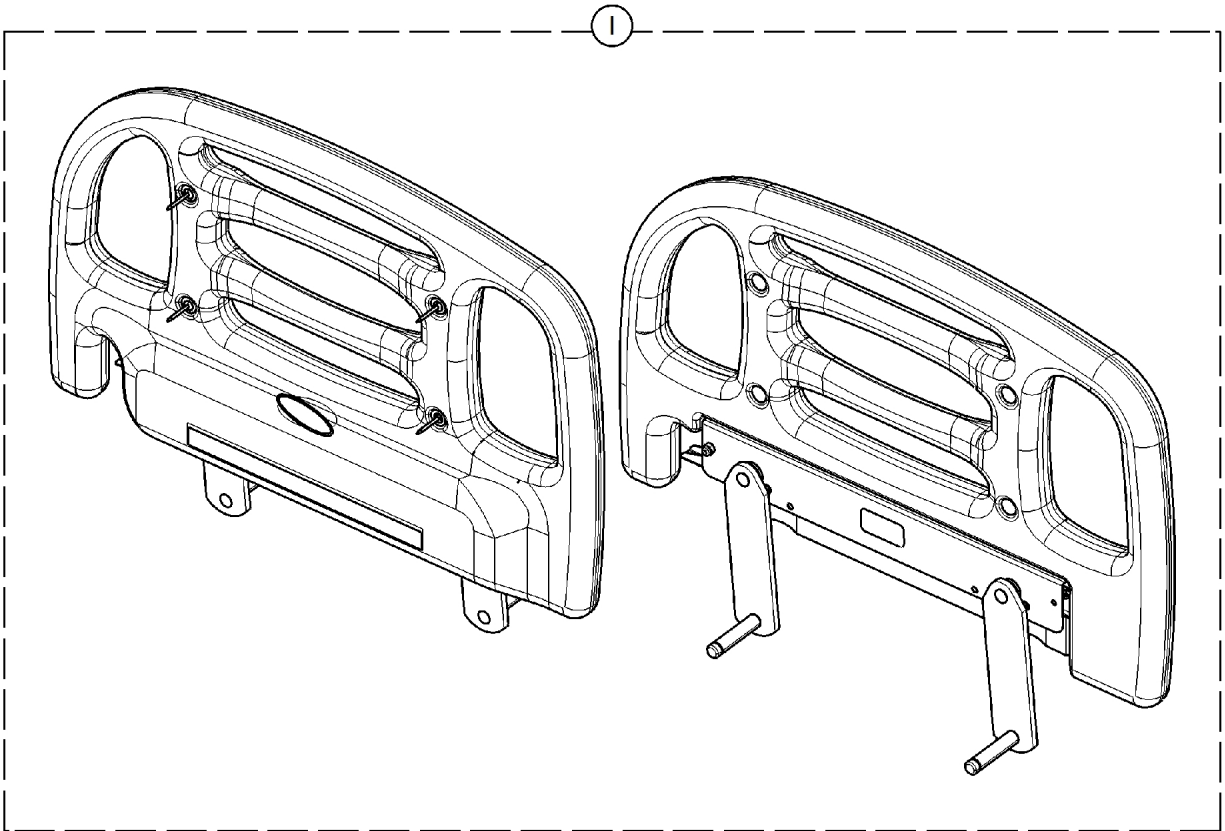


Assist Bar and Rail Hardware

Item Number	Note	Part Number	Description	Quantity Per	
				Package	Assembly
1	A	1153370-NLA	Kit, Assist Bar/Rail Mounting Hardware	1	1
2			NLA - Handle, Clamping	2	1
3			NLA - Nut, Hex Keps (5/16-18)	2	1
4	B	1159610	Kit, Assist Bar Mounting Hardware	1	1
5			Screw, Round Head, Square Neck (5/16-18 x 3/4")	1	2
6			Nut, Hex Head, Flange (5/16-18)	1	2
7			Holster, Pendant	1	1
8			Bolt, Hex Head (5/16-18 x 1")	1	2
9			Lock Washer, External Tooth (5/16)	1	2
10			Knob, Phenolic (5/16-18)	1	2
			Loop (1" x 3")	1	1
			Label, Caution, Operation, AB French	1	2
			Instruction Sheet, Assist Bar	1	1
4	B	1153764	Kit, Assist Rail Mounting Hardware	1	1
5			Screw, Round Head, Square Neck (5/16-18 x 3/4")	1	2
6			Nut, Hex Head, Flange (5/16-18)	1	2
7			Holster, Pendant	1	1
8			Bolt, Hex Head (5/16-18 x 1")	1	2
9			Lock Washer, External Tooth (5/16)	1	2
10			Knob, Phenolic (5/16-18)	1	2
			Instruction Sheet, Assist Rail	1	1
7		1186847	Holster, Pendant	1	1

NOTE: A - Used prior to September 9, 2009.
B - Used as of September 9, 2009.

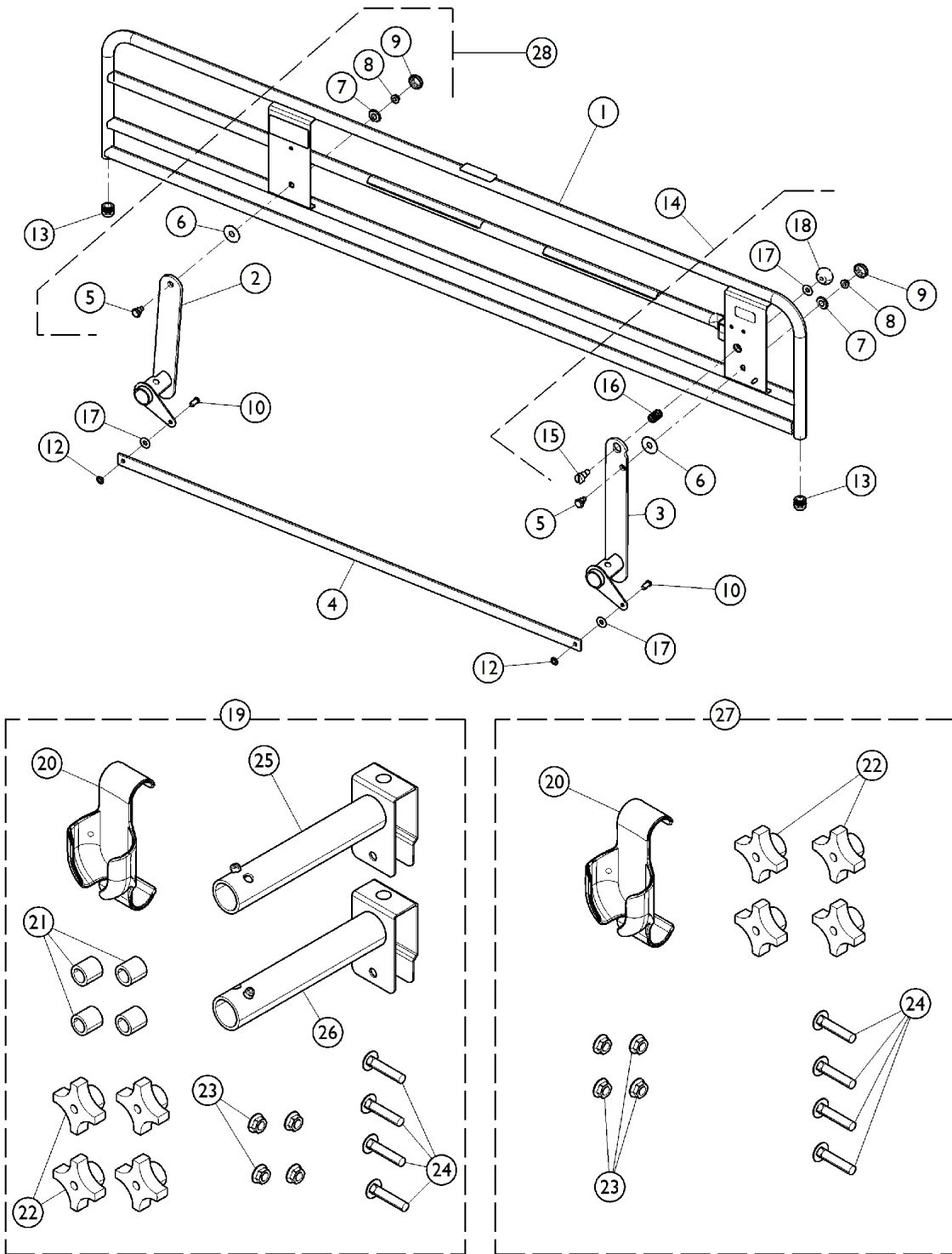
Positional Devices



Positional Devices

Item Number	Note	Part Number	Description	Quantity Per	
				Package	Assembly
1	A	IHCSTSPD-QSP	Head Positioning Rails (Pair)	1	1
1		1158933	Head Section, Bed (36" W)	1	1
2	B	1161869	Kit, Head Positioning Hardware	1	1
4			Holster, Pendant	1	1
5			Pin, Retaining	4	1
6			Washer, Flat (1.250" x .516" x .062)	4	1
7			NLA - Bushing, Glide - White	4	1
			Instruction Sheet, Thinksoft PD	1	1
			Label, Warning, Entrapment and Crush	2	1
3		1165069	Package, Retaining Clip	12	1
4		1186847	Holster, Pendant	1	1
NOTE: A - For beds built prior to February 5, 2009, you must also order 1158933. B - Includes Pendant Holster, Bushing, Washer, and Retaining Pin.					

Partial Rail

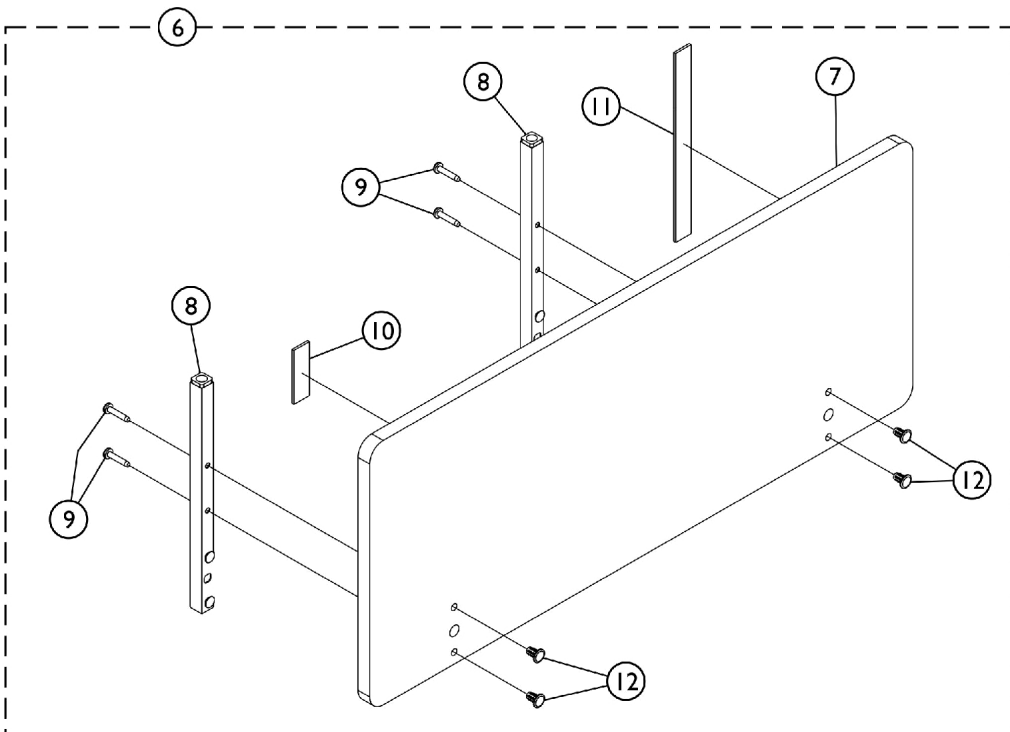
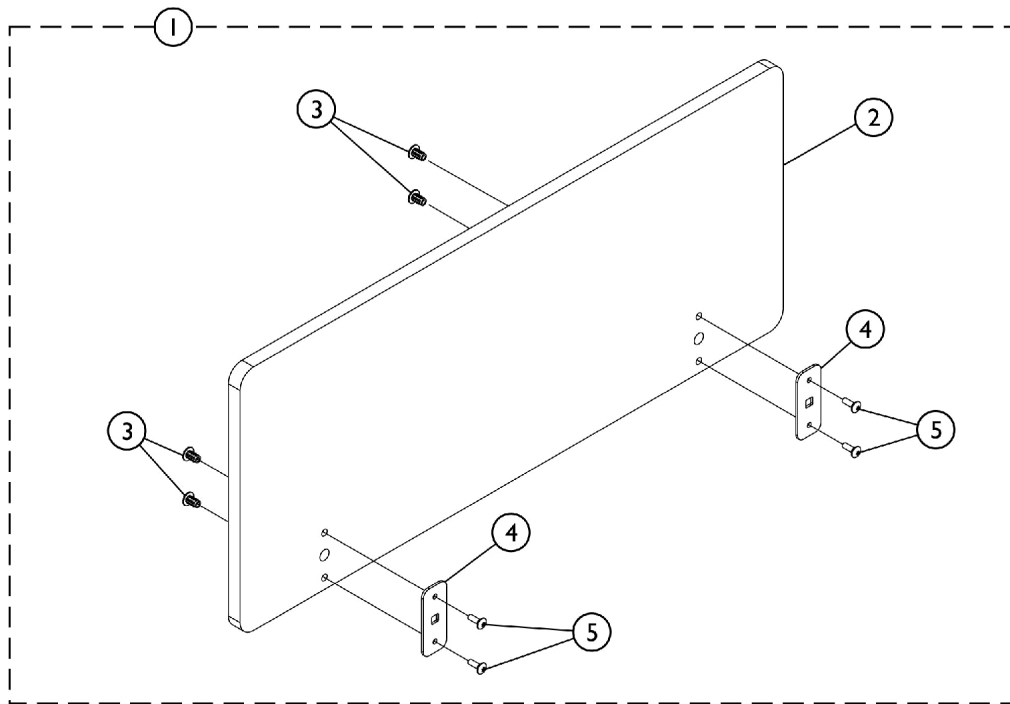


Partial Rail

Item Number	Note	Part Number	Description	Quantity Per	
				Package	Assembly
1		IHCSRLPA	68" Partial Rail Assembly (Pair)	1	1
1		1153600	Rail, Partial - Left (68")	1	1
1		1153601	Rail, Partial - Right (68")	1	1
2		1153590-NLA	NLA - Arm, Rail, Head End - Left	1	1
2		1153591-NLA	NLA - Arm, Rail, Head End - Right	1	1
3		1153588-NLA	NLA - Arm, Rail, Foot End - Left	1	1
3		1153589-NLA	NLA - Arm, Rail, Foot End - Right	1	1
4		1153595-NLA	NLA - Bar, Linkage - Partial Rail	1	1
28	A	1189261	Kit, Rail Mounting Hardware	1	1
			Pin, Rail (5/16-18)	1	4
			Washer, Nylon (33/64 x 1-29/64 x 3/64")	1	4
			Washer, Retaining (11/32 x 1-3/32 x 3/64")	1	4
			NLA - Nut, Hex Head, Flange (5/16-18)	1	4
			Cap, Bearing	1	4
10		PIN51634-NLA	NLA - Pin, Clevis (5/16" x 3/4")	1	2
12		NUT516N-NLA	NLA - Nut, Push (5/16-18)	1	2
13		1165068	Package, End Plug	10	1
14		1189259	Kit, Knob - Latch	1	1
			Screw, Shoulder Slotted Head (1/2 x 1/2", 3/8-16)	1	1
			Spring, Compression (3/4 x 1 x 3/64")	1	1
			Knob, LATCH-0002 (3/8-16 x 1-3/8")	1	1
16		1186856	Spring, Compression (3/4 x 1 x 3/64")	1	1
19		1153610	Kit, Rail Hardware	1	1
20			Holster, Pendant	1	1
21			NLA - Bushing, Glide - White	4	1
22			Knob, Phenolic (5/16-18)	4	1
23			Nut, Hex Head, Flange (5/16-18)	4	1
24			Screw, Round Head Square Neck (5/16-18 x 1-1/2")	4	1
25			Bracket, Mounting, Rail - Right	1	1
26			Bracket, Mounting, Rail - Left	1	1
			Instruction Sheet, Rail Installation	1	1
			Guide, Bed Rail Entrapment Risk Notification	1	1
20		1186847	Holster, Pendant	1	1
27		1153768	Kit, Rail Hardware w/o Mounting Rails	1	1
20			Holster, Pendant	1	1
22			Knob, Phenolic (5/16-18)	4	1
23			Nut, Hex Head, Flange (5/16-18)	4	1
24			Screw, Round Head Square Neck (5/16-18 x 1-1/2")	4	1
			Instruction Sheet, Rail Installation	1	1
			Guide, Bed Rail Entrapment Risk Notification	1	1

NOTE: A - Kit includes items 5 - 9. Includes hardware for both Head End and Foot End Arm Rails.

Headboard and Footboard

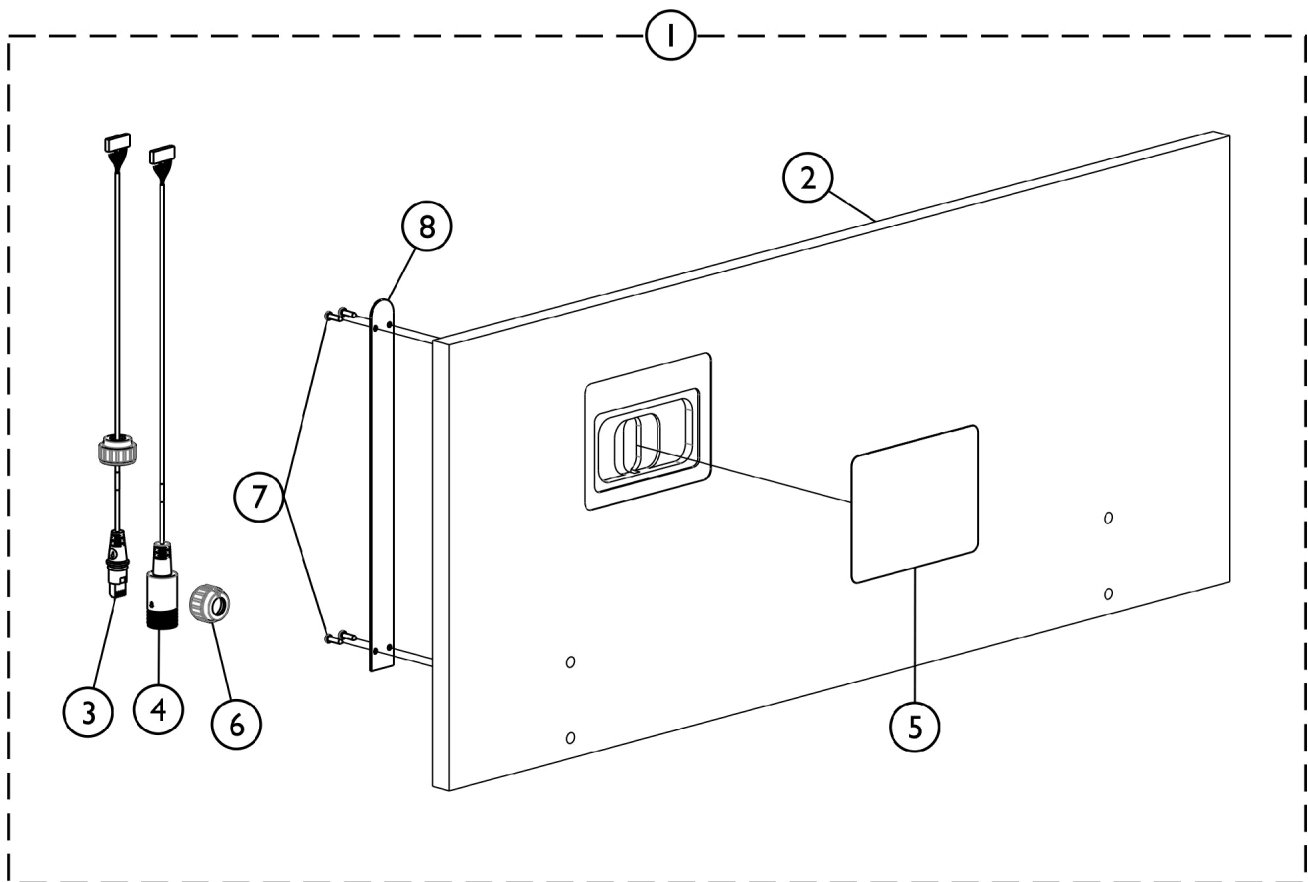


SICC_I05A

Headboard and Footboard

Item Number	Note	Part Number	Description	Quantity Per	
				Package	Assembly
1	A	1154448	Footboard Assembly Hardware, CS Service	1	1
2			Footboard, CS Service	1	1
3			Insert, Nut (1/4-20 x 3/4")	1	4
4			NLA - Bracket, Foot Board, Post	1	2
5			NLA - Screw, Shoulder, Torx® TR HD (1/4-20 x 3/4)	1	4
6	B	1154447	Headboard Assembly Hardware, CS Service	1	1
7			Footboard, CS Service	1	1
8			Post, Head Board	1	2
9			Screw, Machine, Pan Head (14-20 x 1-1/2")	1	4
10			Hook, PNDNT-V-Hook (1 x 3")	1	1
11			Strap, Cord Power PNDNT-V-Cord	1	1
12			Insert, Nut (1/4-20 x 3/4")	1	4
NOTE: A - Includes items 2-5 B - Includes items 7-12 For Beds built prior to September 5th, 2008, Contact Customer Service.					

Footboard - ACP without Trendelenburg Feature

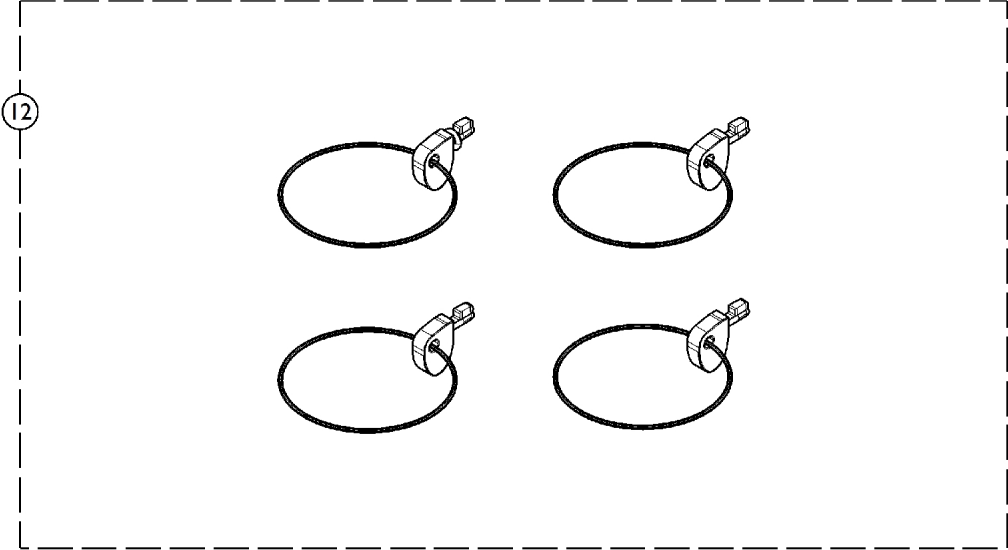
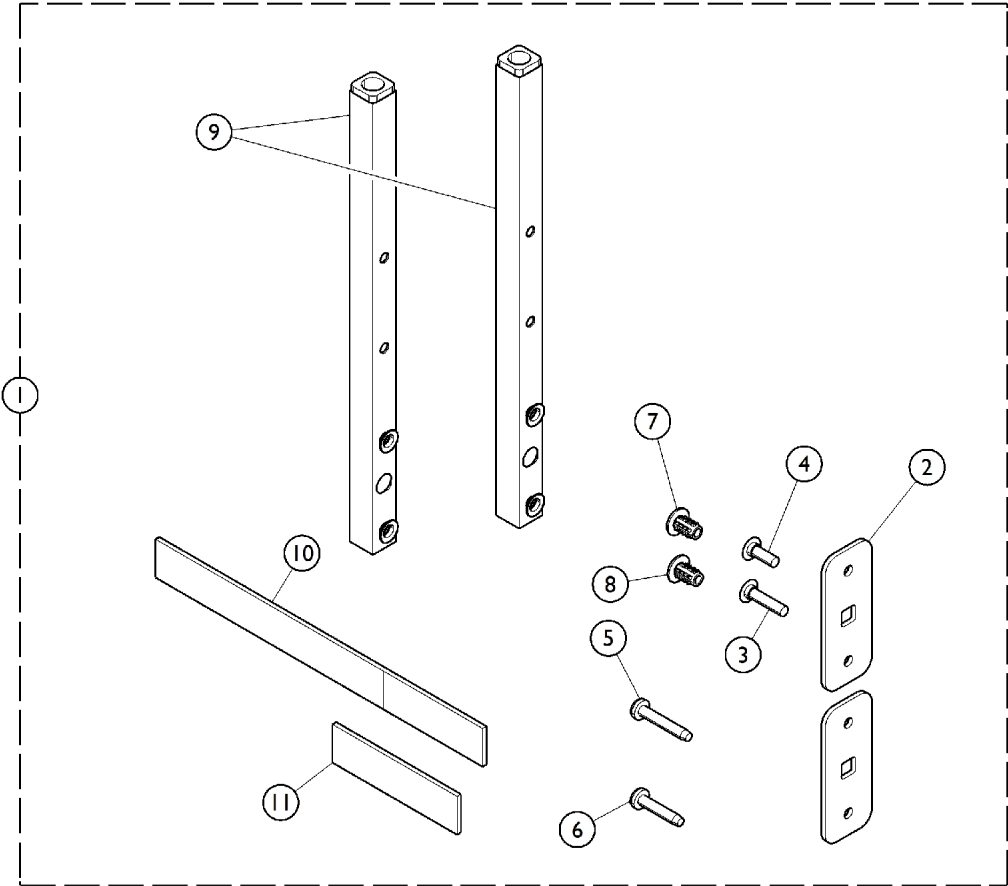


SICC_106A

Footboard - ACP without Trendelenburg Feature

Item Number	Note	Part Number	Description	Quantity Per	
				Package	Assembly
1	A	1156529	ACP without Trend Assembly, CS3/CS5 Service	1	1
2			Footboard w/ ACP	1	1
3			Cable, Inboard Male - J1	1	1
4			Cable, Inboard Female - J2	1	1
5			Membrane, 151, CS3/5 (No Contour)	1	1
6			NLA - Nut, Split (M24 x 3)	1	1
7			Screw, Pan Head w/ Square Socket (#6-18 x 39/64")	1	1
8			Plate, Cover ACP	1	1
NOTE: A - Includes items 2-8					
For Beds built prior to September 5th, 2008, Contact Customer Service.					

Headboard and Footboard Hardware

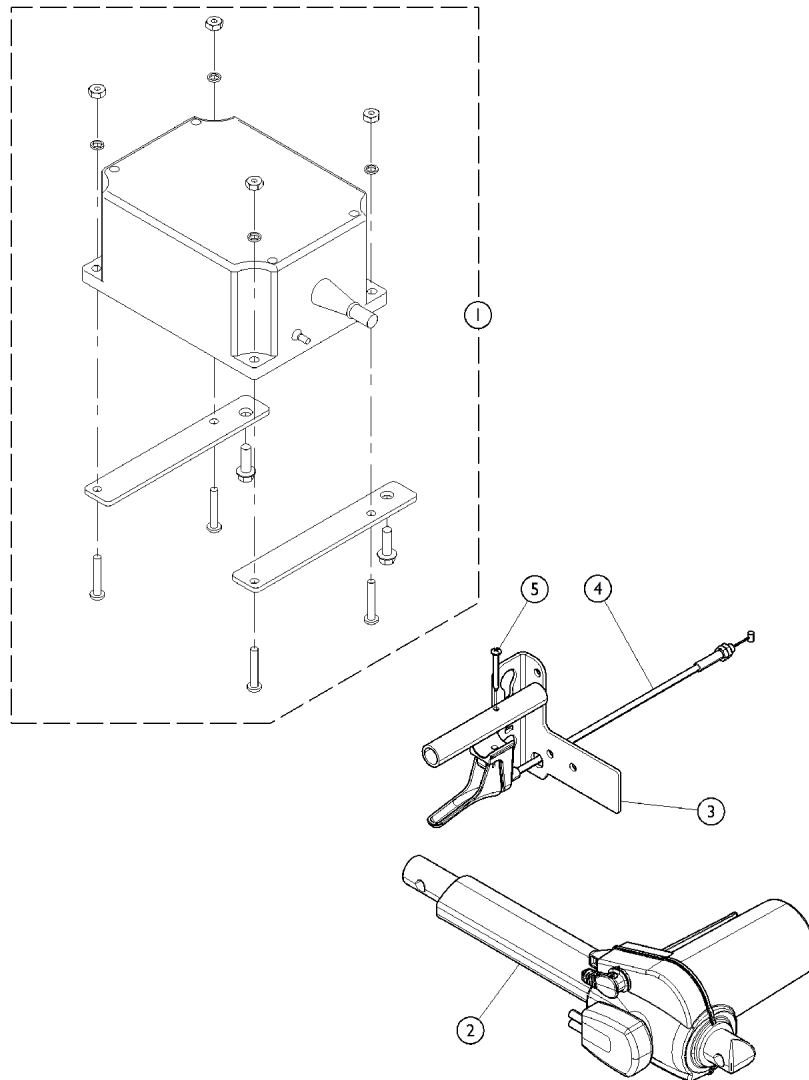


Headboard and Footboard Hardware

Item Number	Note	Part Number	Description	Quantity Per	
				Package	Assembly
1	A	1159650	Kit, Head/Foot Board Mounting Hardware	1	1
2			NLA - Bracket, Foot Board, Post	2	1
3			Screw, Shoulder, Torx® TR HD (1/4-20 x 1-1/8)	4	1
4			NLA - Screw, Shoulder, Torx® TR HD (1/4-20 x 3/4)	4	1
5			Screw, Machine, Pan Head (14-20 x 1-1/2")	4	1
6			Screw, Drive, Torx® (1/4-20 x 1-1/4")	4	1
7			NLA - Nut, Insert, Zinc Coated	8	1
8			NLA - Nut, Insert, Bronze Coated	8	1
9			Post, Head Board	2	1
10			Strap, Cord, Power	1	1
11			Hook Material Strip, Beige (1" W x 3" L)	1	1
			Instruction Sheet, Headboard and Footboard	1	1
			Bag, Poly	1	1
12		1156522	Bed End Bracket Key	4	1

NOTE: A - Kit includes items 2 - 11.

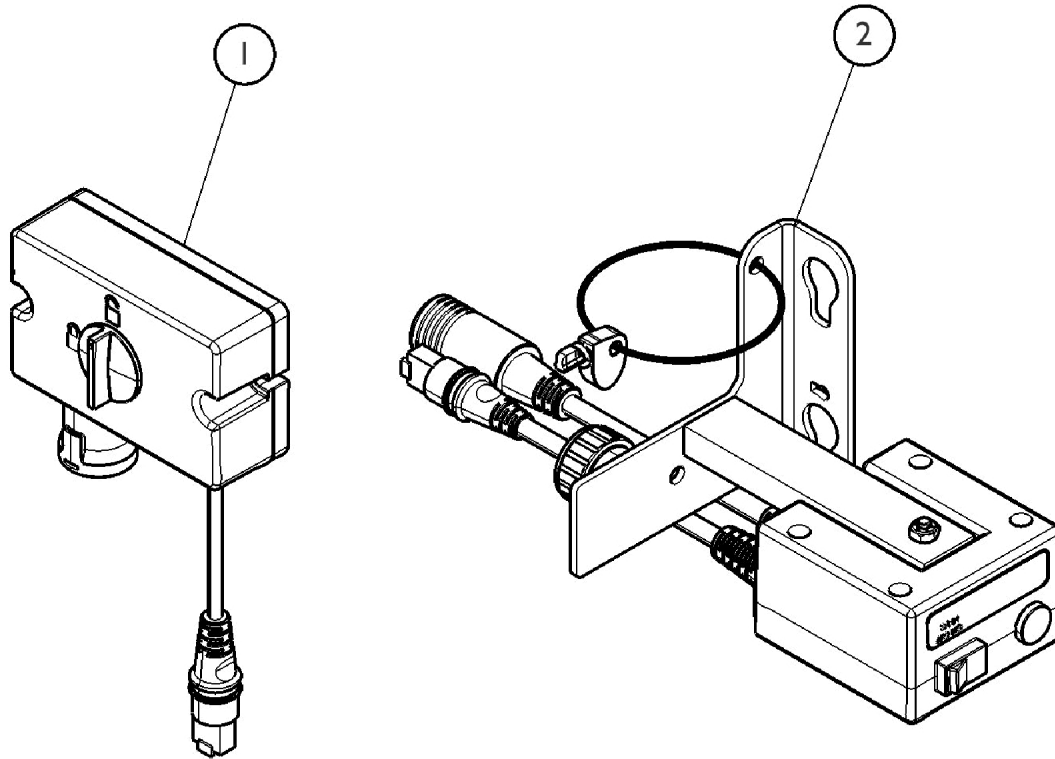
Miscellaneous Electronics - Battery and Actuators



Item Number	Note	Part Number	Description	Quantity Per	
				Package	Assembly
1	A,B	1175549-NLA	NLA - Battery, On Board Backup w/ Hardware	1	1
1	A	1152564	Battery, On Board Backup w/ Hardware	1	1
2		1147571-NLA	NLA - Actuator, Head w/ CPR Quick Release	1	1
3		1149710-NLA	Bracket, Bed End - Foot (CPR Release Beds)	1	1
4		1147271-NLA	Cable, T, w/ Footboard Staff Control (Long)	1	1
5		1147239-NLA	Screw, CPR Release	1	1

NOTE: A - Kit also includes items 2 - 7.
B - 1175549 is NLA. Use item #1 1152564 as a replacement.

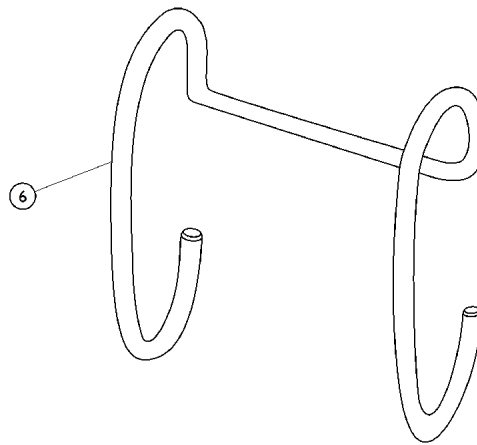
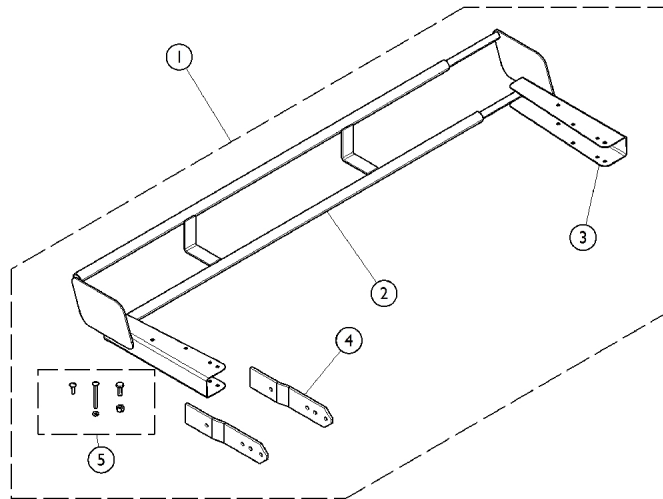
Miscellaneous Electronics - Backups and Controls



Item Number	Note	Part Number	Description	Quantity Per	
				Package	Assembly
1	A	1147270	NLA - Box, Lockout, Control, Attendant	1	1
2	B	1157344	Box, Lockout, Neeco-Tron	1	1

NOTE: A - Used prior to July 2009.
B - Used as of July 2009.

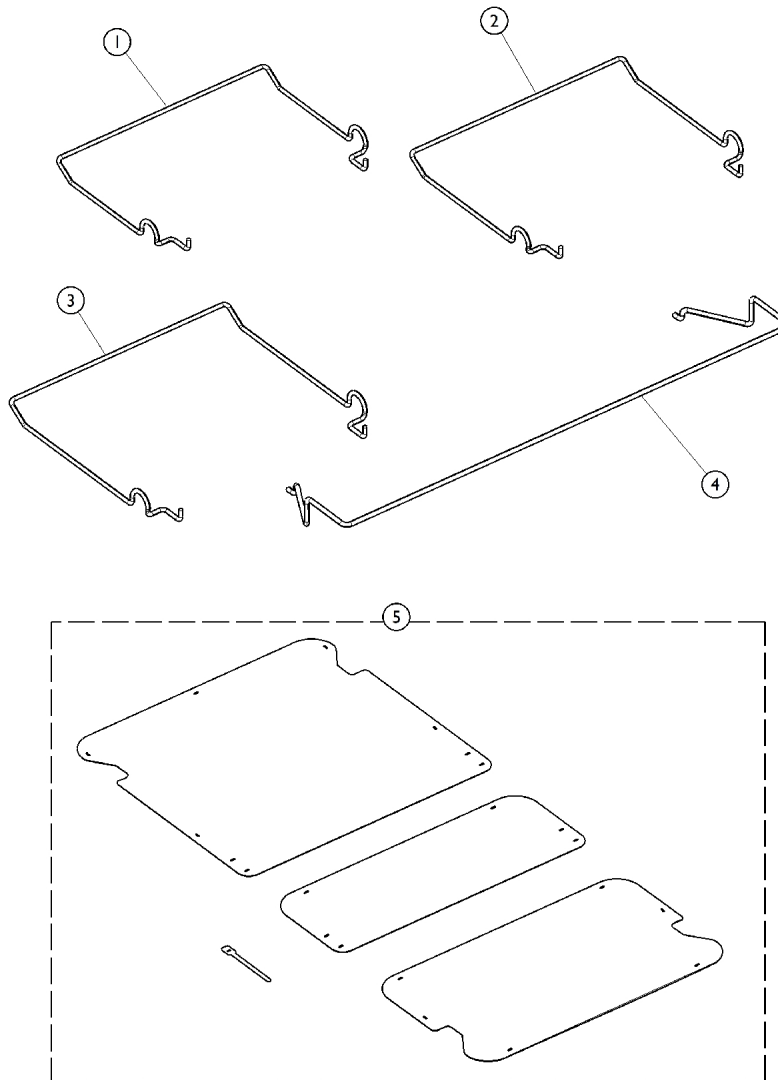
Miscellaneous Accessories - Extensions and Holder



Item Number	Note	Part Number	Description	Quantity Per	
				Package	Assembly
1	A	IHCSBEK	Four Inch Extension Kit	1	1
6		IHCSDB-NLA	NLA - Drainage Bag Holder	1	1

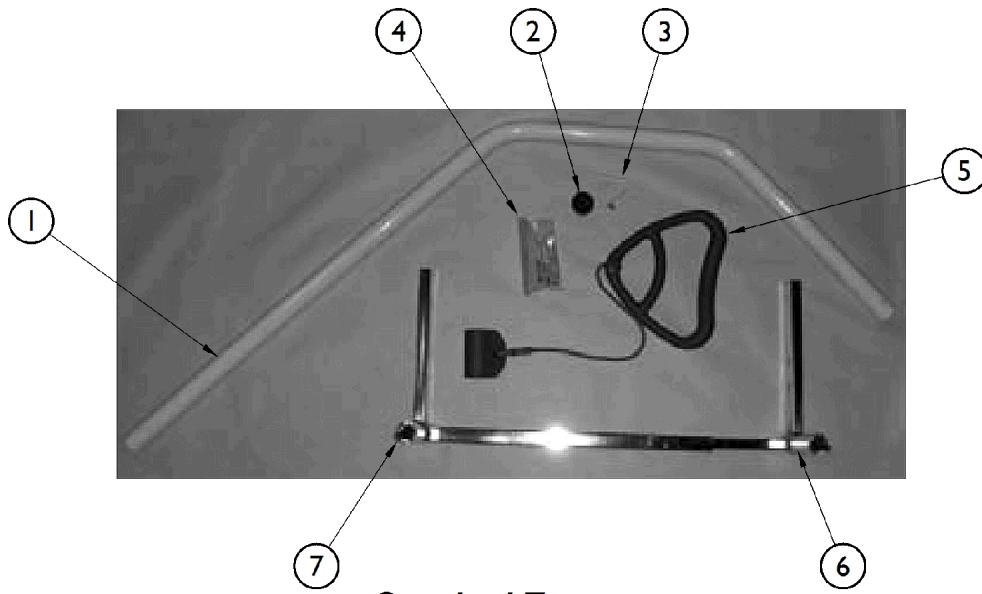
NOTE: A - Kit includes items 2 - 5. Drawing reference for Model IHCSBEK is 1153769 and User Manual is 1190544.

Miscellaneous Options - Decks and Wireforms

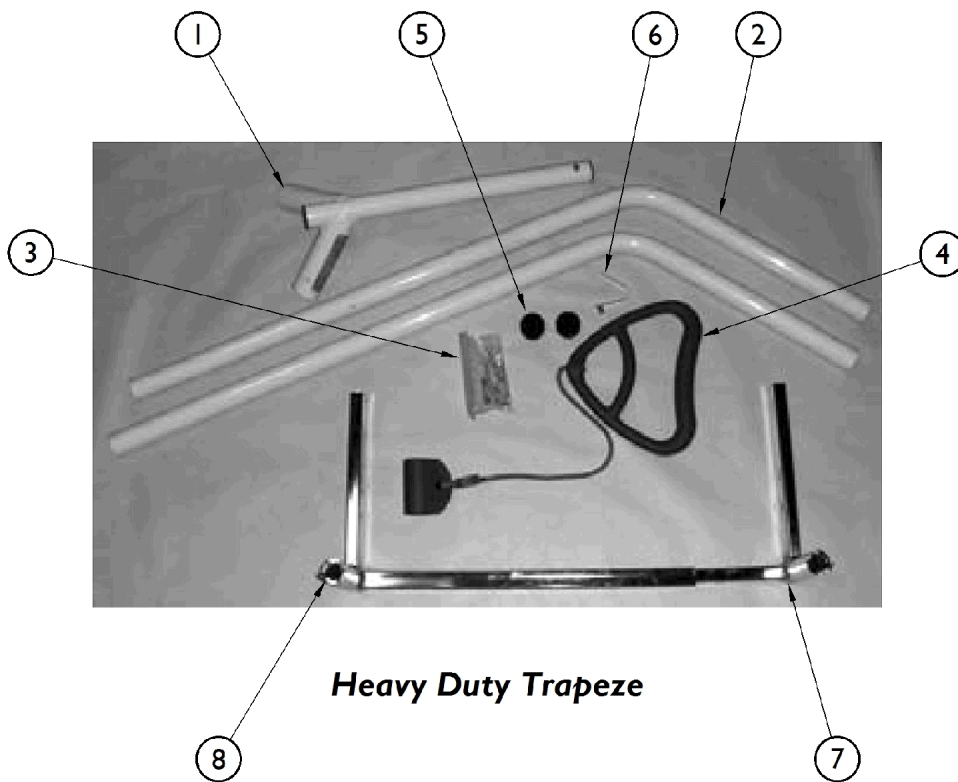


Item Number	Note	Part Number	Description	Quantity Per	
				Package	Assembly
1		1152550	Wall Bumper Standard	1	1
2		IHCSWBL	Wall Bumper Long	1	1
3		1157339-NLA	NLA - Wireform, Custom - 80" (15-15/16")	1	1
4		1152549	Keeper, Mattress (36" W)	1	1
4		1159576	Keeper, Mattress (42" W)	1	1
4		1159606-NLA	NLA - Keeper, Mattress (39" W)	1	1
5		1153380-NLA	NLA - Aftermarket Pan Deck Kit	1	1

Trapeze



Standard Trapeze



Heavy Duty Trapeze

Trapeze

Item Number	Note	Part Number	Description	Quantity Per	
				Package	Assembly
1	A	IHCSTRP-NLA	NLA - Standard Trapeze	1	1
2		1153383-NLA	NLA - Standard Trapeze Bar	1	1
3		1146345-NLA	NLA - Plug Button, Round, Black (1-1/2")	1	1
4		1147186-NLA	NLA - Button, Snap	1	1
5	C	1153381-NLA	NLA - Kit, Hardware - Standard Trapeze	1	1
6			NLA - Lock Nut, Purple Insert (1/4-20)	2	1
7			Washer (3/4 x 1 x 11/64)	2	1
8		1147563-NLA	Handle, Trapeze Bar	1	1
9	D	1147610-NLA	NLA - Bracket, Mounting, Trapeze - Right	1	1
10	D	1147611-NLA	NLA - Bracket, Mounting, Trapeze - Left	1	1
11	E	1152551	Wireform, Trapeze - 80" (14-7/16")	1	1
12	B	IHCSTRPHD	Heavy Duty Trapeze	1	1
13		1153384-NLA	NLA - Boom, Heavy Duty Trapeze	1	1
14		1147211-NLA	NLA - Heavy Duty Trapeze Bar	1	2
15	C	1153382-NLA	NLA - Kit, Hardware - Heavy Duty Trapeze	1	1
16			Screw, Hex Head Cap (1/4-20 x 2-1/4")	2	1
17			NLA - Lock Nut, Purple Insert (1/4-20)	2	1
18		1147563	Handle, Trapeze Bar	1	1
19		1146345	NLA - Plug Button, Round, Black (1-1/2")	1	2
20		1147186	NLA - Button, Snap	1	2
21	D	1147610-NLA	NLA - Bracket, Mounting, Trapeze - Right	1	1
22	D	1147611-NLA	NLA - Bracket, Mounting, Trapeze - Left	1	1
23	E	1152551	Wireform, Trapeze - 80" (14-7/16")	1	1
<p>NOTE: A - Includes items 1 - 8. B - Includes items 1 - 9. C - Includes (2) Screws and (2) Lock Nuts (2). D - Order as a pair only. E - Not shown in pictures.</p>					

Bed Transporter



Item Number	Note	Part Number	Description	Quantity Per	
				Package	Assembly
1		BDTRANSPORT CS-NLA	NLA - Bed Transporter	1	1

Invacare Corporation

www.invacare.com



Yes, you can.

One Invacare Way
Elyria, Oh USA
44036-2125
800-333-6900

Technical Support
800-832-4707
Customer Service
800-333-6900

Literature Orders
800-333-6900

© 2022 Invacare Corporation. All rights reserved. Republication, duplication or modification in whole or in part is prohibited without prior written permission from Invacare. Trademarks are identified by [™] and ©. All trademarks are owned by or licensed to Invacare Corporation or its subsidiaries unless otherwise noted. (Revised 6/28/22)

Form No. 13-229