

**Invacare® I-Transia™**



*Yes, you can.*

## Parts Catalog Usage Guide

The information contained in this document is subject to change without notice. This catalog contains service parts for Form No. 13-078. If you have any questions regarding this catalog, please contact one of our Customer Service Representatives.

**For Customer Service Support Call:**

**1-800-333-6900**

**For Faxed In Orders Call:**

**1-800-678-4682 or**

**1-440-366-0709**

**For Technical Service Call:**

**1-800-832-4707**

**Literature Can Be Found at:**

**[www.invacare.com](http://www.invacare.com) or**

**1-800-828-6272**

### SYMBOL DEFINITION

Throughout this catalog you will notice letters to draw your attention to specific footnotes which are located at the bottom of the page or below specified charts.

Examples:

A,B,C etc. = Special Comments

NOTE: = General information pertaining to that specific page

NLA = No Longer Available

### HARDWARE MEASUREMENTS

The measurements for the hardware will be listed as follows:

Screws, Bolts Diameter X Thread Count/Pitch X Length

Washers Inside Diameter X Outside Diameter X Thickness

Spacers Inside Diameter X Outside Diameter X Length

For your convenience, we have supplied an area for you to list your Invacare Representatives.

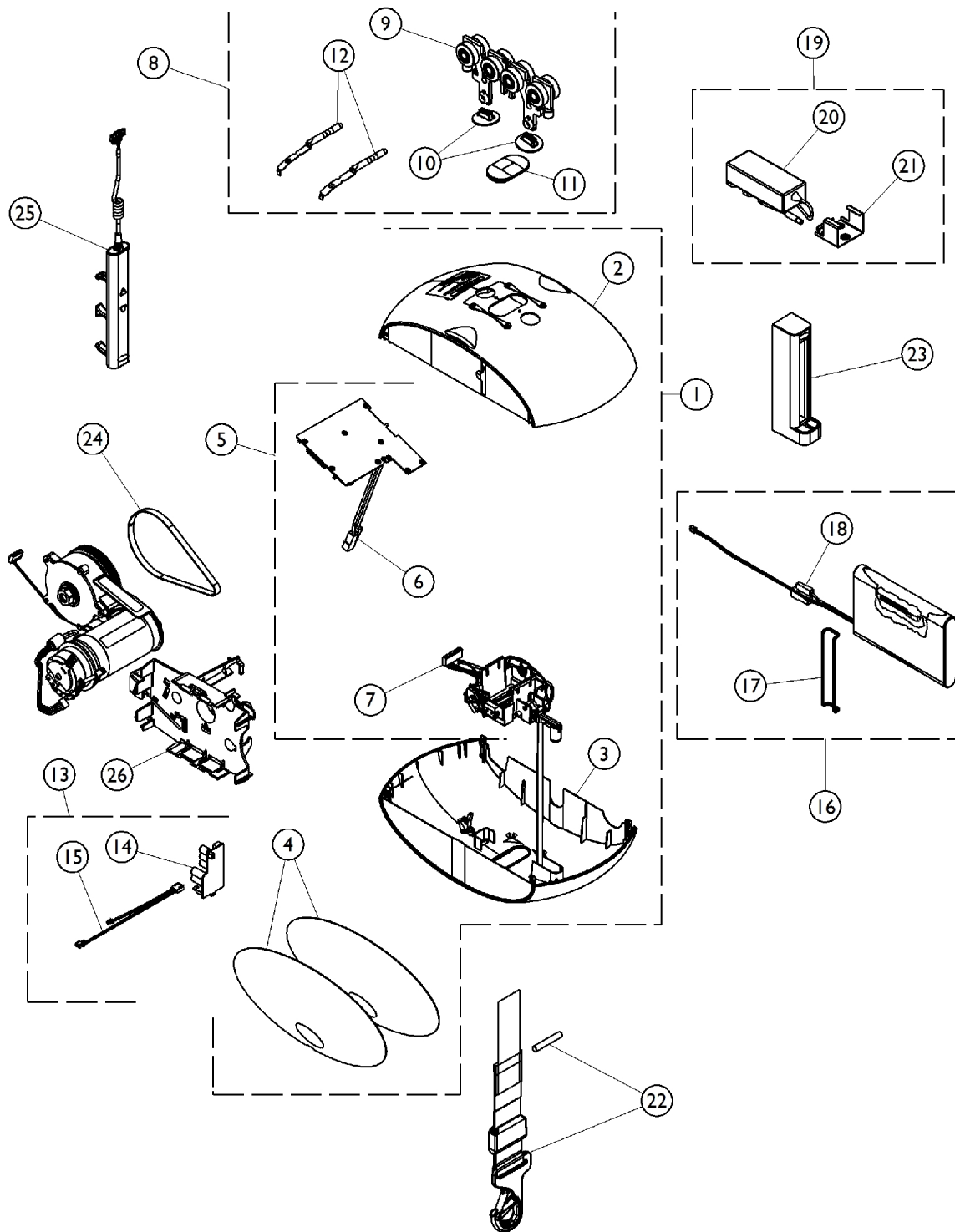
Name	Phone Numbers

© 2020 Invacare Corporation. All rights reserved. Reproduction, duplication or modification in whole or in part is prohibited without prior written permission from Invacare. Trademarks are identified by ™ and ®. All trademarks are owned by or licensed to Invacare Corporation or its subsidiaries unless otherwise noted.

# TABLE of CONTENTS

Description	Page Number
01. Hoist Service Parts .....	3
02. Rails .....	5
03. Mounting Brackets .....	7
04. Travers Trolley .....	9
05. Spreader Bar .....	11
06. Free Standing Frame .....	12

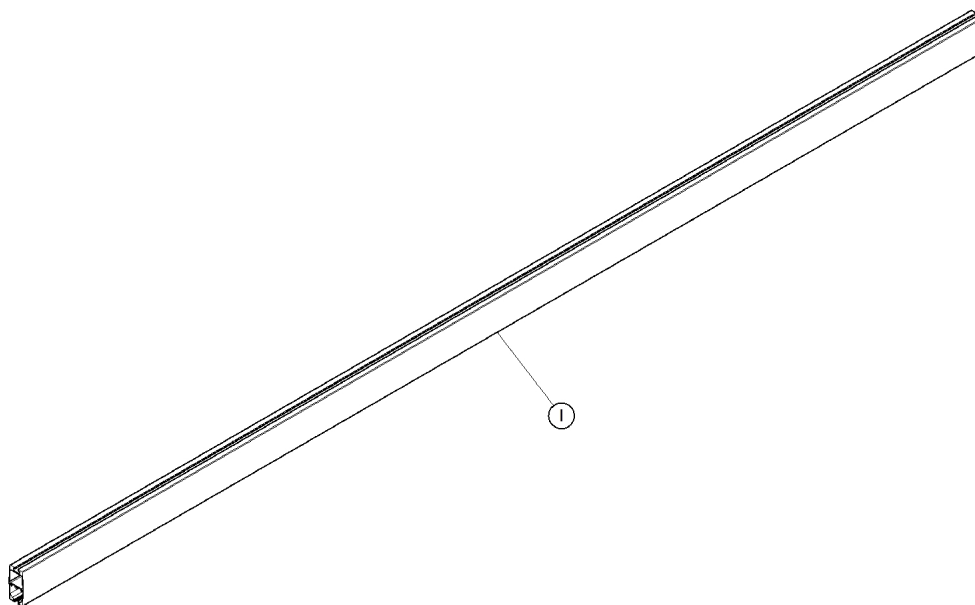
# Hoist Service Parts



## Hoist Service Parts

Item Number	Note	Part Number	Description	Quantity Per	
				Package	Assembly
1	A	1560948	Kit, Hoist Assembly Covers	1	1
2			Hoist Cover, Top	1	1
3			Hoist Cover, Bottom	1	1
4			Side Cover, Hoist	1	2
5	B	1560950	Kit, Electrical Safety Components	1	1
6			Circuit Board, Safety Motor	1	1
7			Mechanical Safety Control	1	1
8	C	1560949	Kit, Trolley Assembly and Hardware	1	1
9			Trolley Assembly	1	2
10			Strap Access Seal	1	1
11			Rubber Sealing	1	2
12			Trolley Connection	1	1
13	D	1560947	Kit, Charger Circuit Board and Signal Cable	1	1
14			Charger Signal Cable	1	1
15			Charger, Circuit Board	1	1
16	E	1560951	Kit, Battery Pack and Fasteners	1	1
17			Fasteners	1	1
18			Battery Pack, Ni-mH (24V / 2,8 Ah)	1	1
19	F	1560946	Kit, Power Supply and Bracket	1	1
20			Power Supply, 36V DC	1	1
21			Bracket, Power Supply	1	1
22		1557122-NLA	NLA - Strap, Lifting	1	1
23		1557120-NLA	NLA - Portable Docking	1	1
24		1557137-NLA	NLA - Drive Belt, 3mm (0.118 in.) Pitch (9 mm / 0.35 in x 414 mm / 16.3 in.)	1	1
25		1557123-NLA	NLA - Hand Control	1	1
26		1557126-NLA	NLA - Circuit Board and Battery Unit Assembly	1	1
NOTE: A - Kit includes items 2, 3, and 4. B - Kit includes items 6 and 7. C - Kit includes items 10, 11, and 12. D - Kit includes items 14 and 15. E - Kit includes items 17 and 18. F - Kit includes items 20 and 21.					

# Rails



Item Number	Note	Part Number	Description	Quantity Per	
				Package	Assembly
1		1557047	Rail, Aluminum, Midi (3 m / 9 ft., 10 in.)	--	--
1		1557052	Rail, Aluminum, Midi (3.5 m / 11 ft., 6 in.)	--	--
1		1557072	Rail, Aluminum, Midi (4 m / 13 ft., 2 in.)	--	--

## Rails Mounting Kits

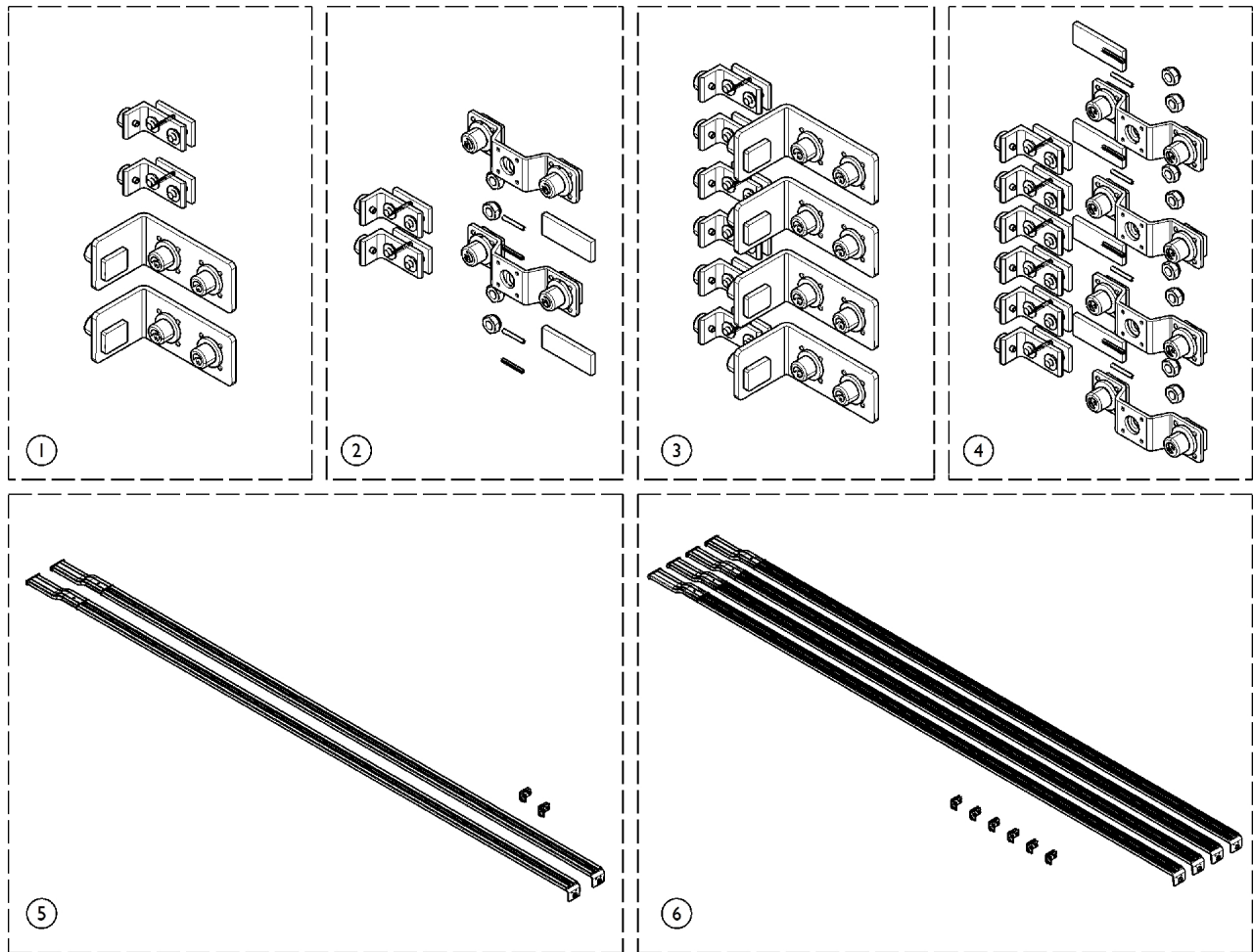
Part Number	Qty.	Capacity	Mounting Used With
1557047	1	205 kg. (450 lbs.)	3M (9 ft., 10 in.) Rail, Wall, Ceiling, and Upright
1557047	3	205 kg. (450 lbs.)	3M (9 ft., 10 in.) Rail H-Frame Wall, Ceiling, and Upright
1557047	1	250 kg. (550 lbs.)	3M (9 ft., 10 in.) Rail Wall, Ceiling and Upright
1557047	3	250 kg. (550 lbs.)	3M (9 ft., 10 in.) Rail H-Frame Wall, Ceiling, and Upright

# Rails

## Rails Mounting Kits

Part Number	Qty.	Capacity	Mounting Used With
1557052	1	250 kg. (550 lbs.)	3.5M (11 ft., in.) Rail, Wall and Upright
1557052	2	250 kg. (550 lbs.)	3.5 (11 ft., 6 in.) x 4M (13 ft., 2 in.) Room Covering Wall and Upright
1557072	1	205 kg. (450 lbs.)	4M (13 ft., 2 in.) Rail Wall, Ceiling, and Upright
1557072	3	205 kg. (450 lbs.)	4M (13 ft., 2 in.) Room Covering, Wall, Ceiling and Upright
1557072	1	250 kg. (550 lbs.)	4M (13 ft., 2 in.) Rail, Ceiling
1557072	1	250 kg. (550 lbs.)	3.5 (11 ft., 6 in.) x 4M (13 ft., 2 in.) Room Covering Wall and Upright
1557072	3	250 kg. (550 lbs.)	4M (13 ft., 2 in.) Room Covering, Ceiling

# Mounting Brackets



Item Number	Note	Part Number	Description	Quantity Per	
				Package	Assembly
1		1557046	Package, End Stops and Wall Mount Brackets	1	1
2		1557109	Package, End Stops and Ceiling Mount Brackets	1	1
3		1557111	Package, End Stops and Room Covering Wall Brackets	1	1
4		1557112	Package, End Stops and Room Covering Ceiling Brackets	1	1
5		1557110	Package, End Stops and Upright Support Mounts	1	1
6		1557113	Package, End Stops and Room Covering Upright Mounts	1	1

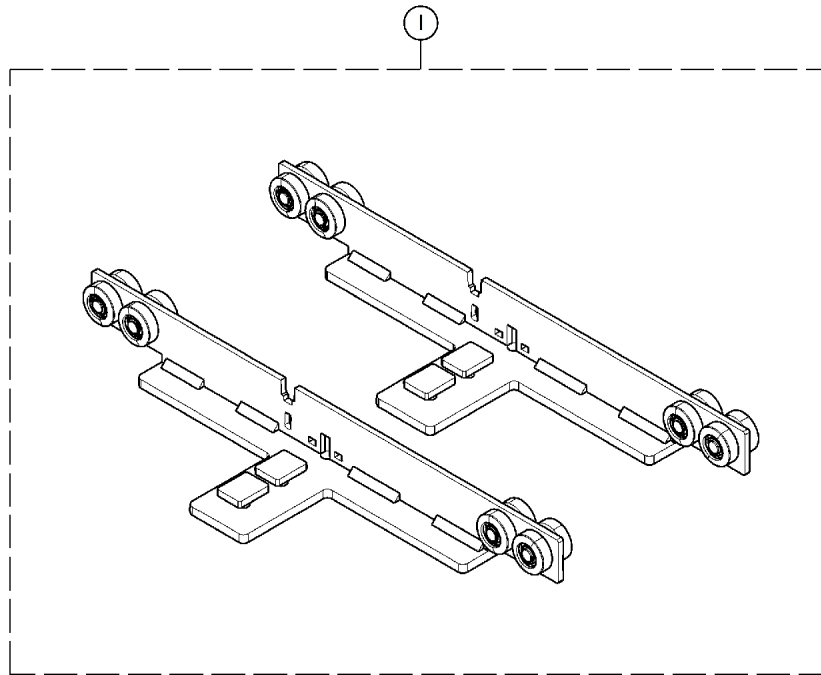


# Mounting Brackets

## Brackets Used with Mountings

Part Number	Capacity	Mounting Description	Mounting Part No.
1557046	250 kg. (550 lbs.)	3.5M (11 ft., 6 in.) Ceiling	1557022
1557046	250 kg. (550 lbs.)	3M (9 ft., 10 in.) Wall	1556975
1557046	205 kg. (450 lbs.)	4M (13 ft., 2 in.) Wall	1556923
1557046	205 kg. (450 lbs.)	3M (9 ft., 10 in.) Wall	1556861
1557109	250 kg. (550 lbs.)	4M (13 ft., 2 in.) Ceiling	1557023
1557109	250 kg. (550 lbs.)	3M (9 ft., 10 in.) Ceiling	1556987
1557109	205 kg. (450 lbs.)	4M (13 ft., 2 in.) Ceiling	1556924
1557109	205 kg. (450 lbs.)	3M (9 ft., 10 in.) Ceiling	1556880
1557110	250 kg. (550 lbs.)	3.5M (11 ft., 6 in.) Upright	1557042
1557110	250 kg. (550 lbs.)	3M (9 ft., 10 in.) Upright	1557017
1557110	205 kg. (450 lbs.)	4M (13 ft., 2 in.) Upright	1556962
1557110	205 kg. (450 lbs.)	3M (9 ft., 10 in.) Upright	1556900
1557111	250 kg. (550 lbs.)	3.5 (11 ft., 6 in.) x 4M (13 ft., 2 in.) Room Covering, Wall	1557043
1557111	250 kg. (550 lbs.)	3M (9 ft., 10 in.) Room Covering, Wall	1557018
1557111	205 kg. (450 lbs.)	4M (13 ft., 2 in.) Room Covering, Wall	1556963
1557111	205 kg. (450 lbs.)	3M (9 ft., 10 in.) Room Covering, Wall	1556901
1557112	250 kg. (550 lbs.)	4M (13 ft., 2 in.) Room Covering, Ceiling	1557044
1557112	250 kg. (550 lbs.)	3M (9 ft., 10 in.) Room Covering, Ceiling	1557019
1557112	205 kg. (450 lbs.)	4M (13 ft., 2 in.) Room Covering, Ceiling	1556973
1557112	205 kg. (450 lbs.)	3M (9 ft., 10 in.) Room Covering, Ceiling	1556902
1557113	250 kg. (550 lbs.)	3M (9 ft., 10 in.) Room Covering, Upright	1557020
1557113	250 kg. (550 lbs.)	3.5 (11 ft., 6 in.) x 4M (13 ft., 2 in.) Room Covering, Upright	1556845
1557113	205 kg. (450 lbs.)	3M (9 ft., 10 in.) Room Covering, Upright	1556903
1557113	205 kg. (450 lbs.)	4M (13 ft., 2 in.) Room Covering Upright	1556974

# Travers Trolley



Item Number	Note	Part Number	Description	Quantity Per	
				Package	Assembly
1		1557108	Package, Travers Trolley	1	1

## Travers Trolley Mounting

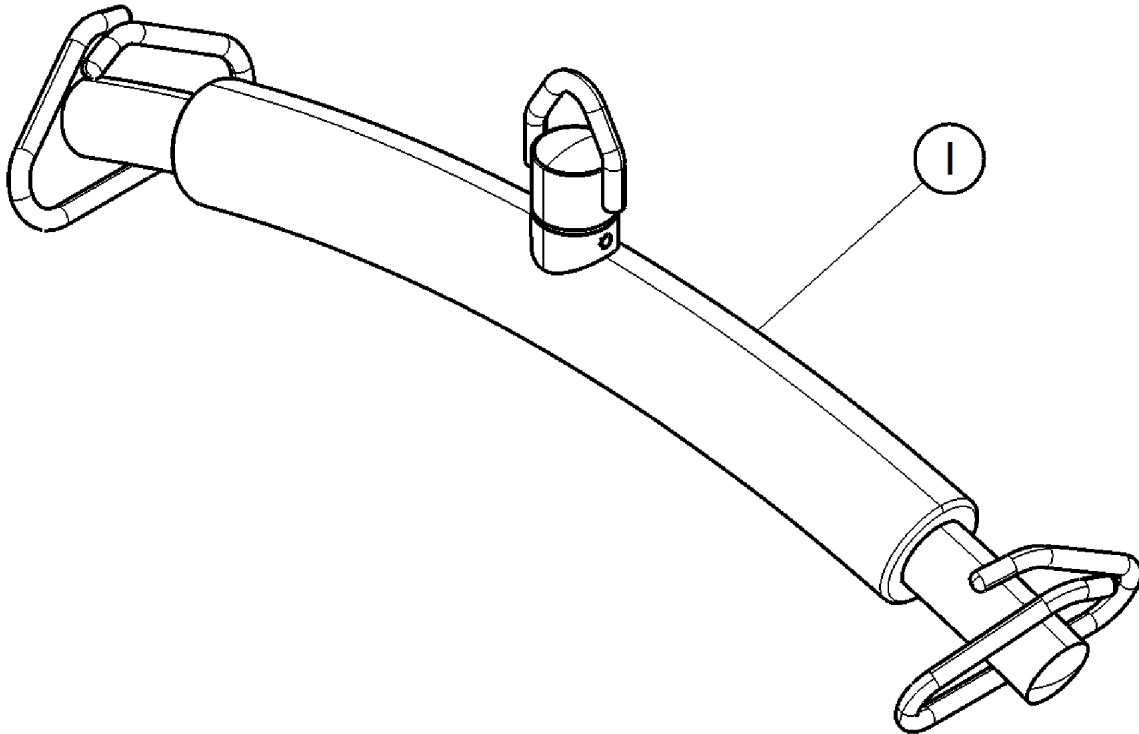
Part Number	Capacity	Mounting Size	Mounting Part No.
1557108	205 kg. (450 lbs.)	3M (9 ft., 10 in.) Room Covering, Wall	1556901
1557108	205 kg. (450 lbs.)	3M (9 ft., 10 in.) Room Covering, Ceiling	1556902
1557108	205 kg. (450 lbs.)	3M (9 ft., 10 in.) Room Covering, Upright	1556903
1557108	205 kg. (450 lbs.)	4M (13 ft., 2 in.) Room Covering, Wall	1556963
1557108	205 kg. (450 lbs.)	4M (13 ft., 2 in.) Room Covering, Ceiling	1556973
1557108	205 kg. (450 lbs.)	4M (13 ft., 2 in.) Room Covering, Upright	1556974
1557108	250 kg. (550 lbs.)	3M (9 ft., 10 in.) Room Covering, Wall	1557018
1557108	250 kg. (550 lbs.)	3M (9 ft., 10 in.) Room Covering, Ceiling	1557019
1557108	250 kg. (550 lbs.)	3M (9 ft., 10 in.) Room Covering, Upright	1557020

# Travers Trolley

## Travers Trolley Mounting

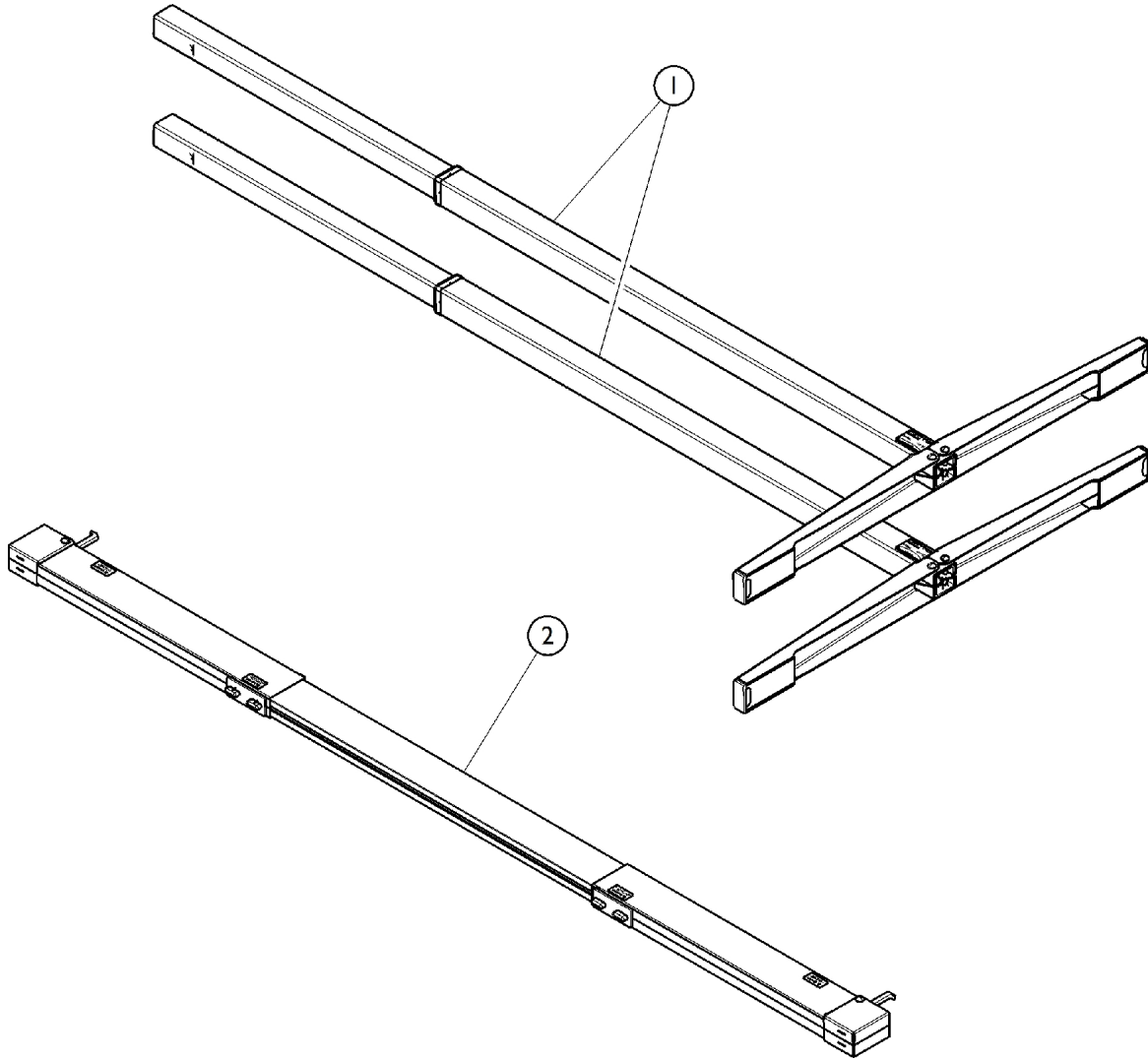
Part Number	Capacity	Mounting Size	Mounting Part No.
1557108	250 kg. (550 lbs.)	3.5 (11 ft., 6 in. ) x 4M (13 ft., 2 in.) Room Covering, Wall	1557043
1557108	250 kg. (550 lbs.)	4M (13 ft., 2 in.) Room Covering, Ceiling	1557044
1557108	250 kg. (550 lbs.)	3.5 (11 ft., 6 in.) x 4M (13 ft., 2 in.) Room Covering, Upright	1557045

# Spreader Bar



Item Number	Note	Part Number	Description	Quantity Per	
				Package	Assembly
1		1526581-0125	Spreader Bar Assembly w/ Foam, 2 Points, 450mm (17 ft., 7 in.)	1	1

# Free Standing Frame



Item Number	Note	Part Number	Description	Quantity Per	
				Package	Assembly
1		1557119	Vertical Pole, Free Standing Gantry	1	2
2		1557118	Bracket, Rail Top	1	1

Invacare Corporation

[www.invacare.com](http://www.invacare.com)



**Yes, you can.**

One Invacare Way  
Elyria, Oh USA  
44036-2125  
800-333-6900

Technical Support  
800-832-4707  
Customer Service  
800-333-6900

Literature Orders  
800-333-6900

© 2020 Invacare Corporation. All rights reserved. Republication, duplication or modification in whole or in part is prohibited without prior written permission from Invacare. Trademarks are identified by <sup>TM</sup> and ©. All trademarks are owned by or licensed to Invacare Corporation or its subsidiaries unless otherwise noted. (Revised 01/02/20)

Form No. 13-078