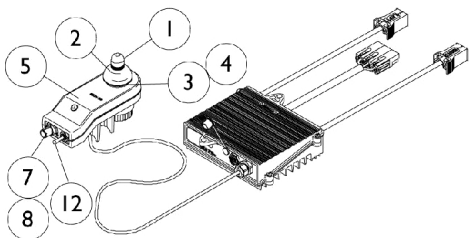


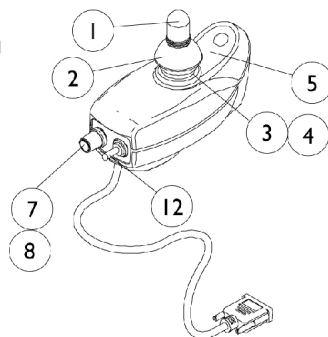
MKIV Joysticks

RII, RX, A, A+, TCHJOY

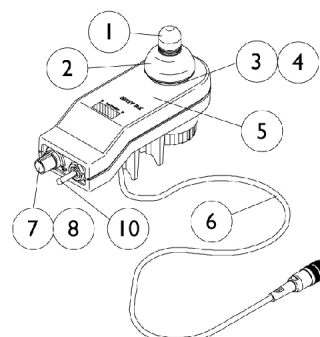


Ⓢ **1080723NLA**
RII Joystick/Controller
Before 5/1/00

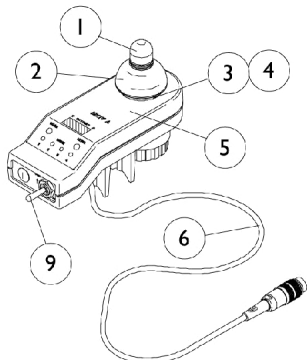
Ⓢ For chairs made before 5/1/00,
 the following must be ordered:
 RII Joystick part # (1092610)
 RII Retro Controller part # (1095269)
 Remote Programmer part # (1109091)



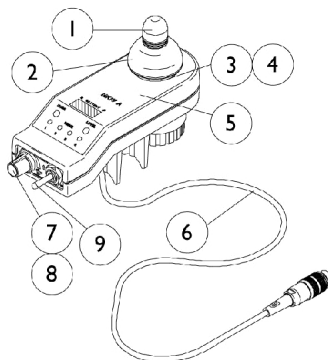
1092610
RII Joystick
After 4/30/00



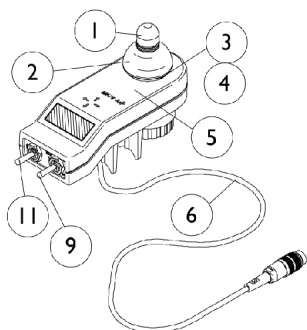
1038603
RX Joystick



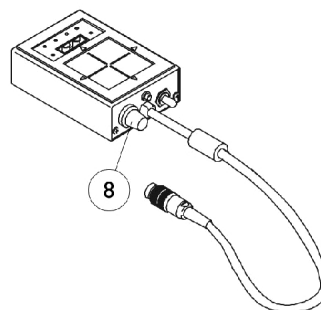
1038604
A Joystick
Before 9/1/96



1065944
A Joystick
After 8/31/96



1038608
A+ Joystick



1095289
TCHJOY
Touchpad "A"
Joystick

MKIV Joysticks RII, RX, A, A+, TCHJOY

Item Number	Note	Part Number	Description	Quantity Per	
				Package	Assembly
	A,C	1080723-NLA	NLA - Joystick/Controller, MKIV RII	1	1
	B	1095269-NLA	NLA - Controller, MKIV RII, Retro	1	1
	B	1109091-NLA	NLA - Programmer, Remote	1	1
	B	See Chart	MKIV Joysticks	1	1
NOTE: A - For chairs made before 5/1/00, the following must be ordered, RII Joystick #1092610, RII Retro Controller #1095269 and Remote Programmer #1109091. B - Not Shown C - For joystick inductive and switch components, refer to chart under RII joystick assembly #1092610.					

Item Number	Description	RII	RX	A Before 9/1/96	A After 8/31/96	A+	TCHJOY
See Pictorial	Joystick Assembly	1092610-NLA	1038603-NLA	1038604-NLA	1065944-NLA	1038608-NLA	1095289-NLA
1	Knob, Joystick	1040217	1040217	1040217	1040217	1040217	N/A
2	Skirt, Joystick	1040218	1040218	1040218	1040218	1040218	N/A
3	Inductive, Joystick Before 10/1/02 See Note(s) E	1036764-NLA See Note(s) B	1036764-NLA See Note(s) C	1036764-NLA See Note(s) B	1036764-NLA See Note(s) C	1036764-NLA See Note(s) B	N/A
3	Inductive, Joystick After 9/20/02 See Note(s) E	N/A	1104397-NLA See Note(s) D	N/A	1104397-NLA See Note(s) D	N/A	N/A
4	Boot, Joystick	50000X364-NLA	50000X364-NLA	50000X364-NLA	50000X364-NLA	50000X364-NLA	N/A
5	Overlay, Joystick Decal	1049692-NLA See Note(s) A	1038642-NLA	1040190-NLA	1040190-NLA	1036776-NLA	N/A
6	Cable Assembly Before 10/1/02	N/A See Note(s) A	1036750-NLA See Note(s) C	1036750-NLA See Note(s) B	1036750-NLA See Note(s) C	1036750-NLA See Note(s) B	N/A
6	Cable Assembly After 9/20/02	N/A	1104205-NLA See Note(s) D	N/A	1104205-NLA See Note(s) D	N/A	N/A
7	Potentiometer, Speed (Speed Pot) Before 10/1/02	1040225-NLA See Note(s) B	1040225-NLA See Note(s) C	N/A	1040225-NLA See Note(s) C	N/A	N/A
7	Potentiometer, Speed (Speed Pot) After 9/30/02	N/A	1115518-NLA See Note(s) D	N/A	1115518-NLA See Note(s) D	N/A	N/A

MKIV Joysticks

RII, RX, A, A+, TCHJOY

Item Number	Description	RII	RX	A Before 9/1/96	A After 8/31/96	A+	TCHJOY
8	Knob, Potentiometer	1025516-NLA	1025516-NLA	N/A	1025516-NLA	N/A	1025516-NLA
9	Switch, On/Off Momentary Before 10/1/02	N/A	N/A	1040185-NLA See Note(s) B	1040185-NLA See Note(s) C	1040185-NLA See Note(s) B	N/A
9	Switch, On/Off Momentary After 9/20/02	N/A	N/A	N/A	1115523-NLA See Note(s) D	N/A	N/A
10	Switch, Off/ 1-2 Before 10/1/02	N/A	1038627-NLA See Note(s) C	N/A	N/A	N/A	N/A
10	Switch, Off/ 1-2 After 9/20/02	N/A	1115521-NLA See Note(s) D	N/A	N/A	N/A	N/A
11	Switch, Program	N/A	N/A	N/A	N/A	1040186-NLA See Note(s) B	N/A
12	Switch, Toggle SPDT	1010042-NLA See Note(s) B	N/A	N/A	N/A	N/A	N/A

NOTE: A - Cable assembly and joystick overlay decal for RII joystick before 10/01/02 and after 9/30/02 are not available.
 B - Item requires soldering.
 C - Before 10/01/02 item requires soldering.
 D - After 9/30/02 item has a non-solder connector.
 E - The Dynamic inductive shaft will have a hole drilled 1/4" down from the top. Flightlink doesn't have this feature.