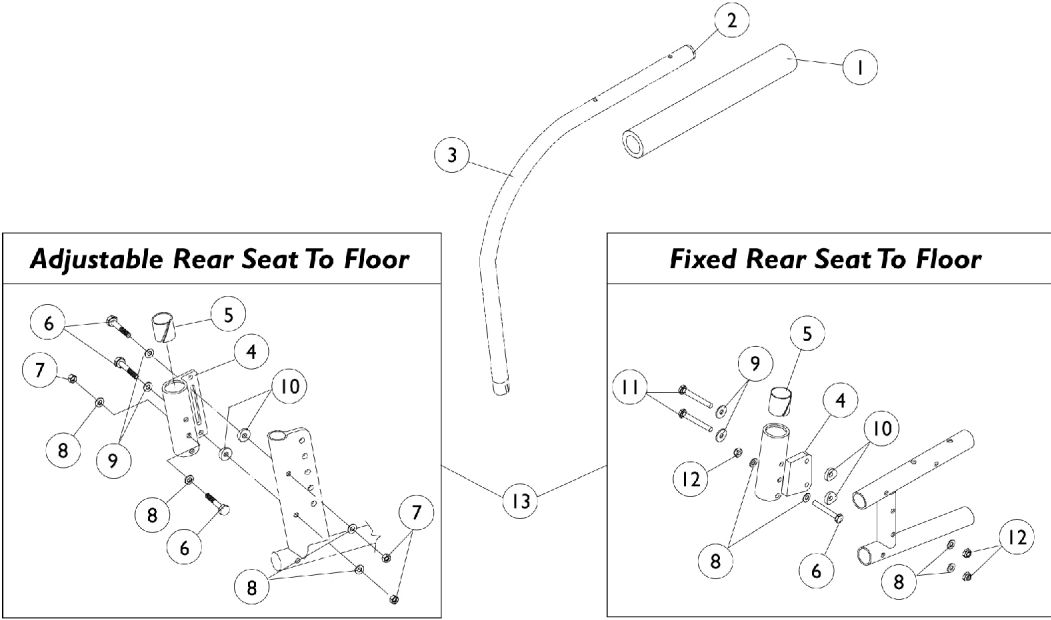


# Half Arms & Hardware



## Half Arms & Hardware

Item Number	Note	Part Number	Description	Quantity Per	
				Package	Assembly
1		1064064	Grip, Foam - Full Length	1	1
2		1056328	Plug Button, Black (1")	1	1
3		1056644	Half Arm Tube Assembly - Right	1	1
3		1056643	Half Arm Tube Assembly - Left	1	1
4	A,B	1032206	Socket, Arm, Rear - Right	1	1
4	A,B	1032207	Socket, Arm, Rear - Left	1	1
4	C	1079287-NLA	NLA - Socket, Arm - Right	1	1
4	C	1079288-NLA	NLA - Socket, Arm - Left	1	1
5		1018687	Sleeve, Bearing	1	1
6		1055348	Screw, Hex Head (1/4-28 x 1-3/4")	1	1
7		1065362	Locknut (1/4-28)	1	3
8		1026907	Washer (1/4 x 1/2 x 1/16")	1	2
9		1026900	Washer (1/4 x 23/32 x 1/16")	1	2
10		1026099	Spacer, Coved (1/4 x 11/16 x 1/2")	1	2
11		1055349	Screw, Hex Head (1/4-28 x 2")	1	2
12		1025765	Locknut (1/4-28)	1	3
13	B	1056651	Hardware, Half Arm Mounting (Pair)	2	1
13	C	1083029-NLA	NLA - Hardware, Half Arm Mounting (Pair)	2	1

NOTE: A - After 12/00; For chairs built Before 1/01 order item number 13 (p/n 1056651) (1 Pair)  
 B - Adjustable Rear Seat to Floor  
 C - Fixed Rear Seat to Floor