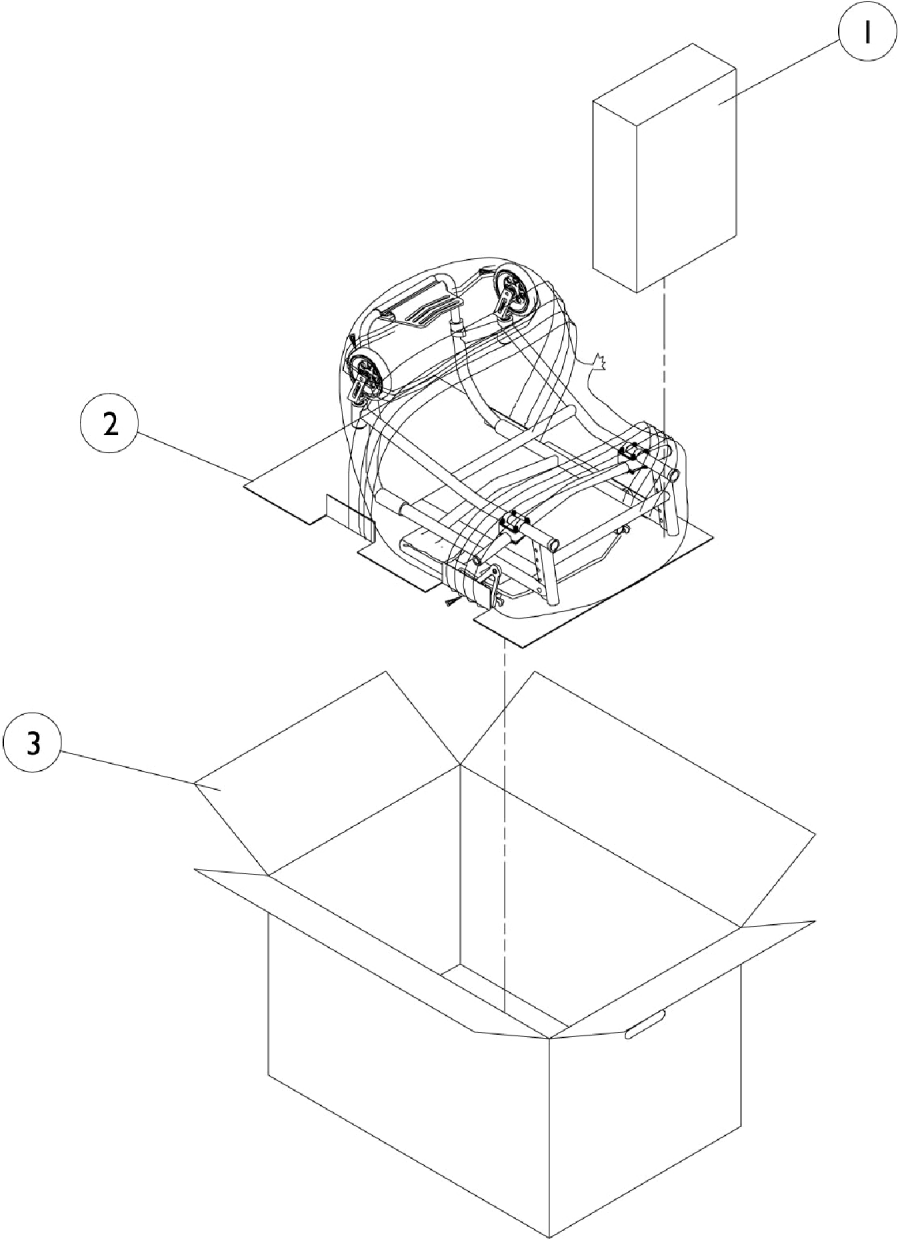


# Packaging - Literature - Decals



## Packaging - Literature - Decals

Item Number	Note	Part Number	Description	Quantity Per	
				Package	Assembly
1		40131X011-NLA	NLA - Carton, Front Riggings	1	1
2		1049222-NLA	NLA - Insert, Bottom Pad	1	1
3		1045583-NLA	NLA - Carton, Shipper	1	1
	A	1062605-NLA	NLA - Decal, Black	1	1
	A	1046498	Decal, White	1	1
	A,B	1110545-NLA	NLA - Owner's Manual, A-4	1	1
<p>NOTE: A - Not Shown            B - Item is no longer available from the Invacare Service Parts Department. Refer to the Invacare Website under "Product Literature Search". Enter the part number in the "Keywords" field and download a free PDF version copy.</p> <p>When adjusting or replacing parts please refer to your Owner's Manual for assistance.</p>					