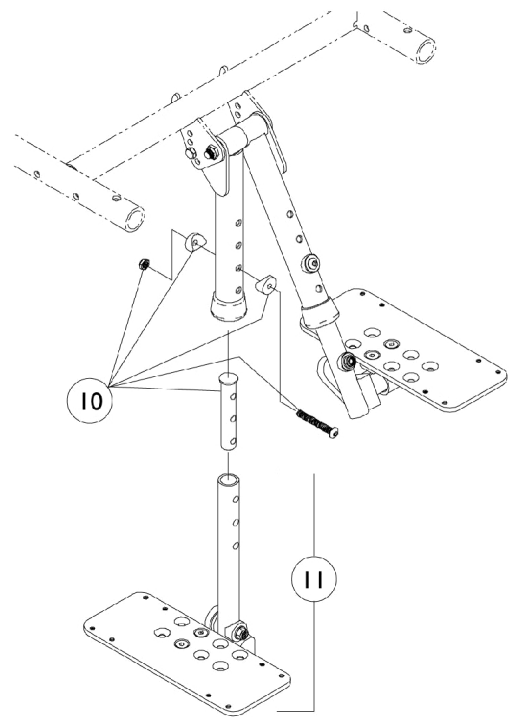
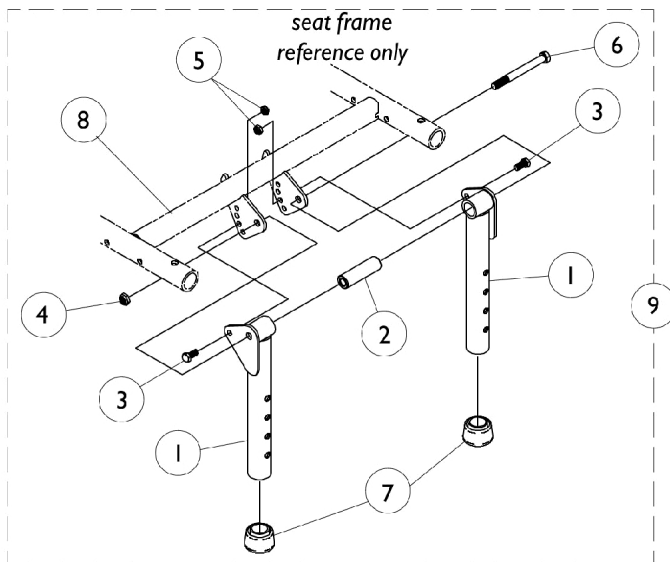


Bilateral Contracture Footrest



Bilateral Contracture Footrest

Item Number	Note	Part Number	Description	Quantity Per	
				Package	Assembly
1		1066573-NLA	NLA - Tube, Footrest Support, Black - Right	1	1
1		1066574-NLA	NLA - Tube, Footrest Support, Black - Left	1	1
2		1066571-NLA	NLA - Spacer (5/16 x 5/8 x 2")	1	1
3		1025752-NLA	NLA - Screw, Hex Head (1/4-20 x 1-1/2")	1	2
4		1025730	Locknut (5/16-24)	1	1
5		1025195	Locknut (1/4-20)	1	2
6		1028600-NLA	NLA - Screw, Hex Head (5/16-24 x 3")	1	1
7		1026124	Collar, Anti-Rattle	1	2
8	A	1069520-NLA	NLA - Crossmember Assembly, Black (14" W)	1	1
8	B	1069521-NLA	NLA - Crossmember Assembly, Black (15" W)	1	1
8	C	1069522-NLA	NLA - Crossmember Assembly, Black (16" W)	1	1
9		1066575-NLA	NLA - Bilateral Contracture Platform Hardware (1 Pair)	2	1
10		1057846	Kit, Pivot/Slide Tube Mounting Hardware (Pair)	2	1
11		1060428-NLA	NLA - Footplate Assembly, Adjustable Angle, Black - Right (3-1/4" W)	1	1
11		1060429-NLA	NLA - Footplate Assembly, Adjustable Angle, Black - Left (3-1/4" W)	1	1
11		1060432	Footplate Assembly, Adjustable Angle, Black - Right (5-1/4" W, 9-7/8" Tube)	1	1
11		1060433	Footplate Assembly, Adjustable Angle, Black - Left (5-1/4" W, 9-7/8" Tube)	1	1
NOTE: A - 14" Wide B - 15" Wide C - 16" Wide					