

G Series (G5510) Homecare Bed



Yes, you can.

Parts Catalog Usage Guide

The information contained in this document is subject to change without notice. This catalog contains service parts for Form No. 12-690. If you have any questions regarding this catalog, please contact one of our Customer Service Representatives.

For Customer Service Support Call:

1-800-333-6900

For Faxed In Orders Call:

1-800-678-4682 or

1-440-366-0709

For Technical Service Call:

1-800-832-4707

Literature Can Be Found at:

www.invacare.com or

1-800-828-6272

SYMBOL DEFINITION

Throughout this catalog you will notice letters to draw your attention to specific footnotes which are located at the bottom of the page or below specified charts.

Examples:

A,B,C etc. = Special Comments

NOTE: = General information pertaining to that specific page

NLA = No Longer Available

HARDWARE MEASUREMENTS

The measurements for the hardware will be listed as follows:

Screws, Bolts Diameter X Thread Count/Pitch X Length

Washers Inside Diameter X Outside Diameter X Thickness

Spacers Inside Diameter X Outside Diameter X Length

For your convenience, we have supplied an area for you to list your Invacare Representatives.

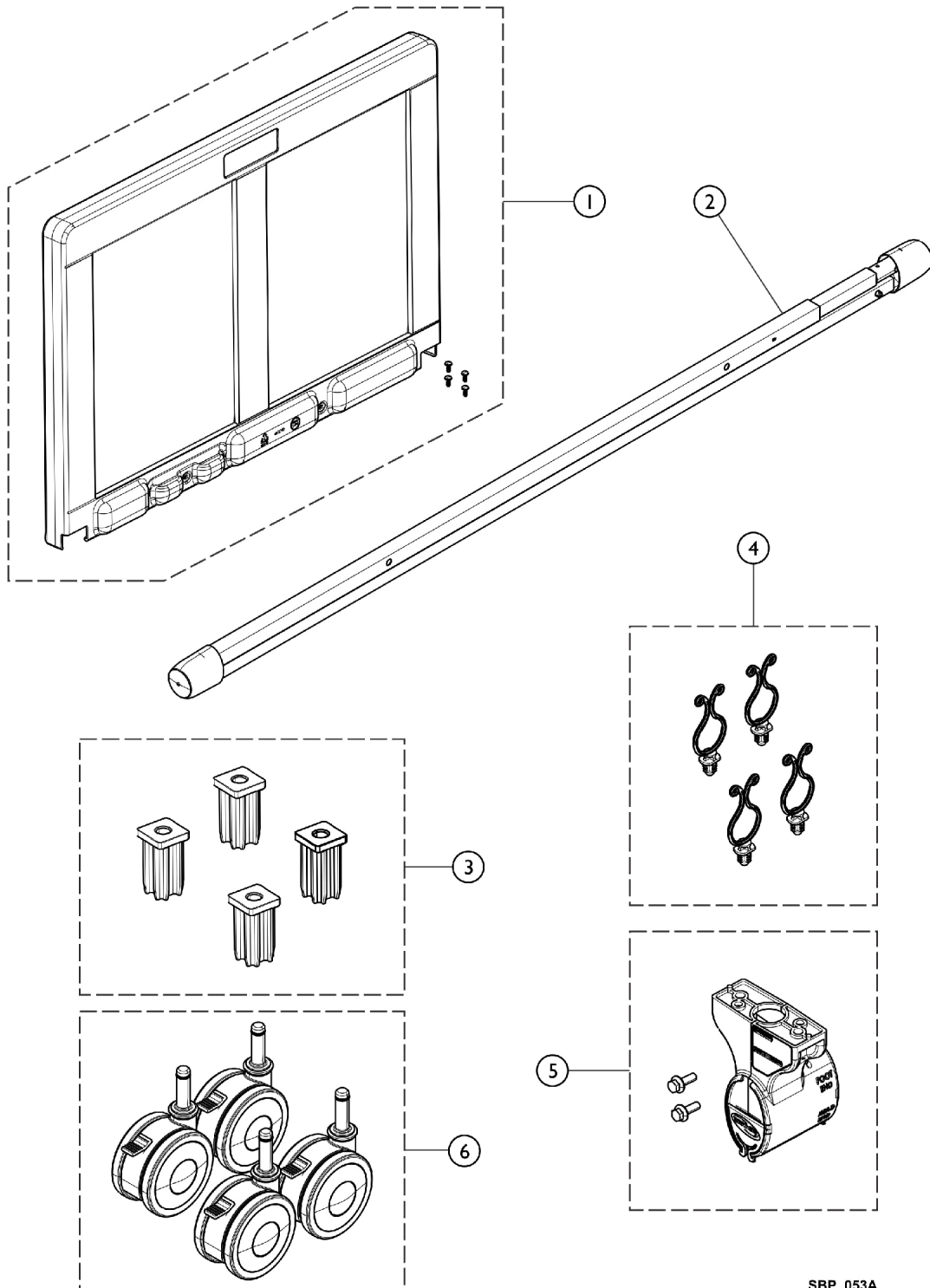
Name	Phone Numbers

© 2022 Invacare Corporation. All rights reserved. Republication, duplication or modification in whole or in part is prohibited without prior written permission from Invacare. Trademarks are identified by ™ and ®. All trademarks are owned by or licensed to Invacare Corporation or its subsidiaries unless otherwise noted.

TABLE of CONTENTS

Description	Page Number
01. Bed Ends - G53	3
02. Foot Section - Full Electric - G54	5
03. Mattress Cover	7
04. Bed Rails - G29	8
05. Bed Rails - G30	10
06. Bed Rails - G32	11
07. Trapeze - G7740CS	13

Bed Ends - G53



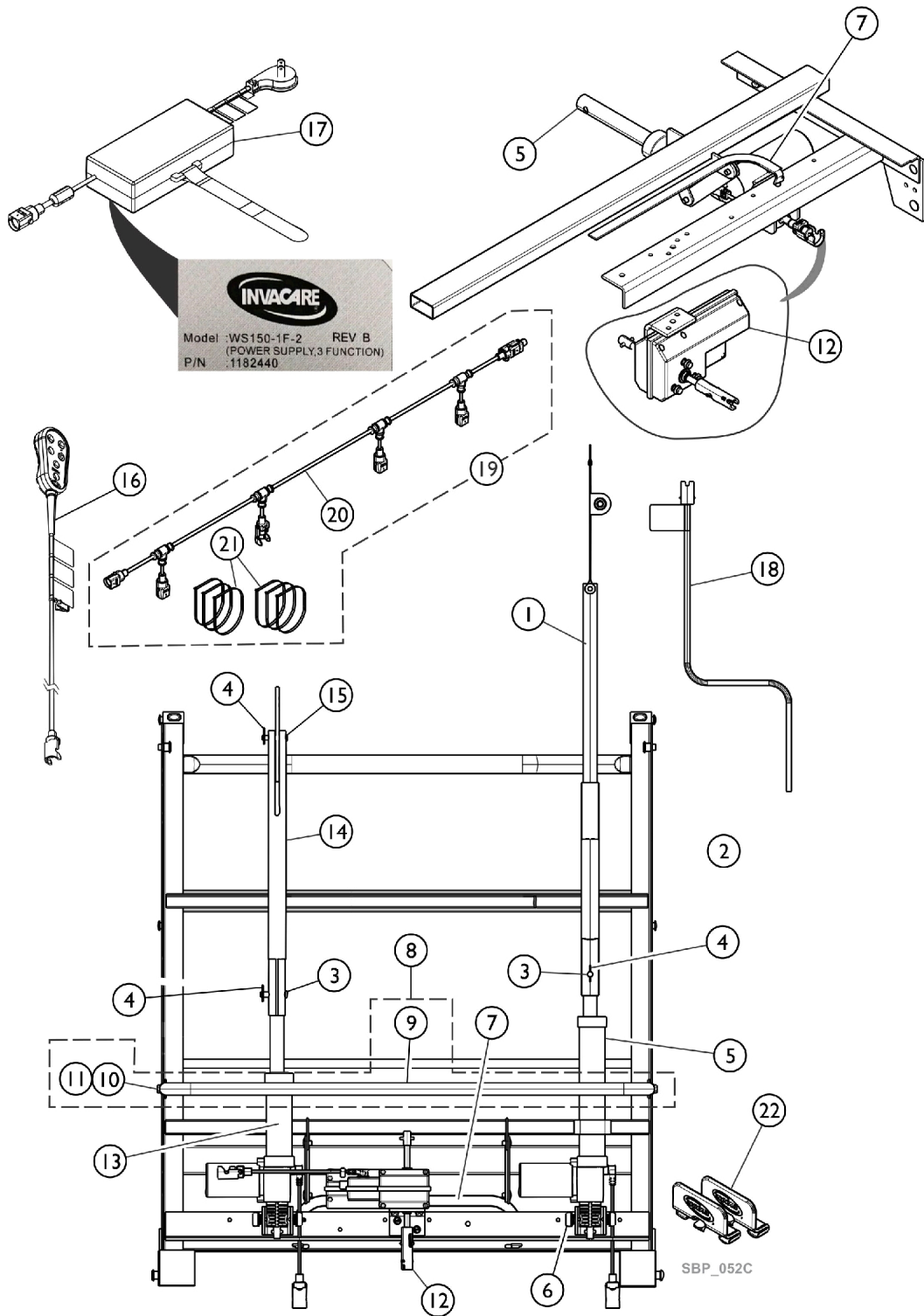
SBP_053A

Bed Ends - G53

Item Number	Note	Part Number	Description	Quantity Per	
				Package	Assembly
1		1182493	Kit, Bed End w/ Fasteners	1	1
2		1182470	Drive Shaft, Reinforced	1	1
3		1182496	Kit, Caster Socket	4	1
4		1182494	Package, Cable Clip	4	1
5		1182495	Kit, Gearbox w/ Hardware	1	1
6		1182421	Package, Locking Casters	4	1

Foot Section - Full Electric - G54

Drawing shows detailed view of frame from beneath the bed.



Foot Section - Full Electric - G54

Item Number	Note	Part Number	Description	Quantity Per	
				Package	Assembly
1		1182425	Tube, Pull, Head End Assembly	1	1
2		1182334	Tube, Pull Motor, Head - Outer	1	1
3		026976	Pin, Clevis (3/8 x 1-3/4")	1	2
4		51000M743	Pin, Hitch (3/8 x 1-3/16")	1	3
5		1183691	Kit, Motor Head Assembly	1	1
6		5300M054	Mount, Motor	1	4
7		1182419	Stop, Mattress	1	1
8		1183692	Kit, Guard, Motor	1	1
9			Guard, Motor	1	1
10			Screw, Hex Head Flanged (5/16-18 x 3/4")	1	2
11			NLA - Nut, Keps (5/16-18)	1	2
			Instruction Sheet, Motor Guard	1	1
12		1183693	Kit, Motor, Hi-Lo w/ Bracket	1	1
13		1183695	Kit, Motor, Foot w/ Pull Tube	1	1
14		1182332	Tube, Pull Motor, Foot - Outer	1	1
15		53000M957	Pin, Clevis (5/16 x 1-11/16")	1	1
16	B,D,E	1182430-NLA	NLA - Kit, Pendant, Three Function	1	1
16	B,D	60108014	Kit, Pendant, Backlit, Three Function	1	1
17	C	1183694	Kit, Power Supply FE, G-Series Bed	1	1
18		1182429	Crank, Emergency, White	1	1
19		1183696	Kit, Bus Cable FE, G-Series Bed	1	1
20			Cable Assembly, Bus, Three Function	1	1
21			NLA - Tie Wrap	6	1
22		1187019	Kit, Mattress Keeper	2	1
	A	1183698	Kit, Pendant Port Plug, G Series Bed	6	1
	A	1183699	Kit, Strap, Power Supply, G Series Bed	5	1
	A	1183700	Kit, O-Ring, G Series Bed	10	1
	A	1187018-NLA	NLA - Kit, Hardware, G-50	1	1

NOTE: A - Not shown in illustration.
 B - When a new Pendant is ordered for Beds manufactured Before 12/31/18, a new Power Supply must be ordered along with the Pendant if the Power Supply Model Label does not show REV B. After 12/30/18 a Pendant or Power Supply can be ordered separately.
 C - Power Supply part #1183694 that is labeled REV B (See Label referenced on illustration) will accommodate both standard and Backlit Pendants.
 D - The Backlit Pendant became "Standard" on G54 Full Electric Foot Section starting with serial number 20CF012429.
 E - No Longer Available. Refer to notes B and D before ordering a replacement pendant.

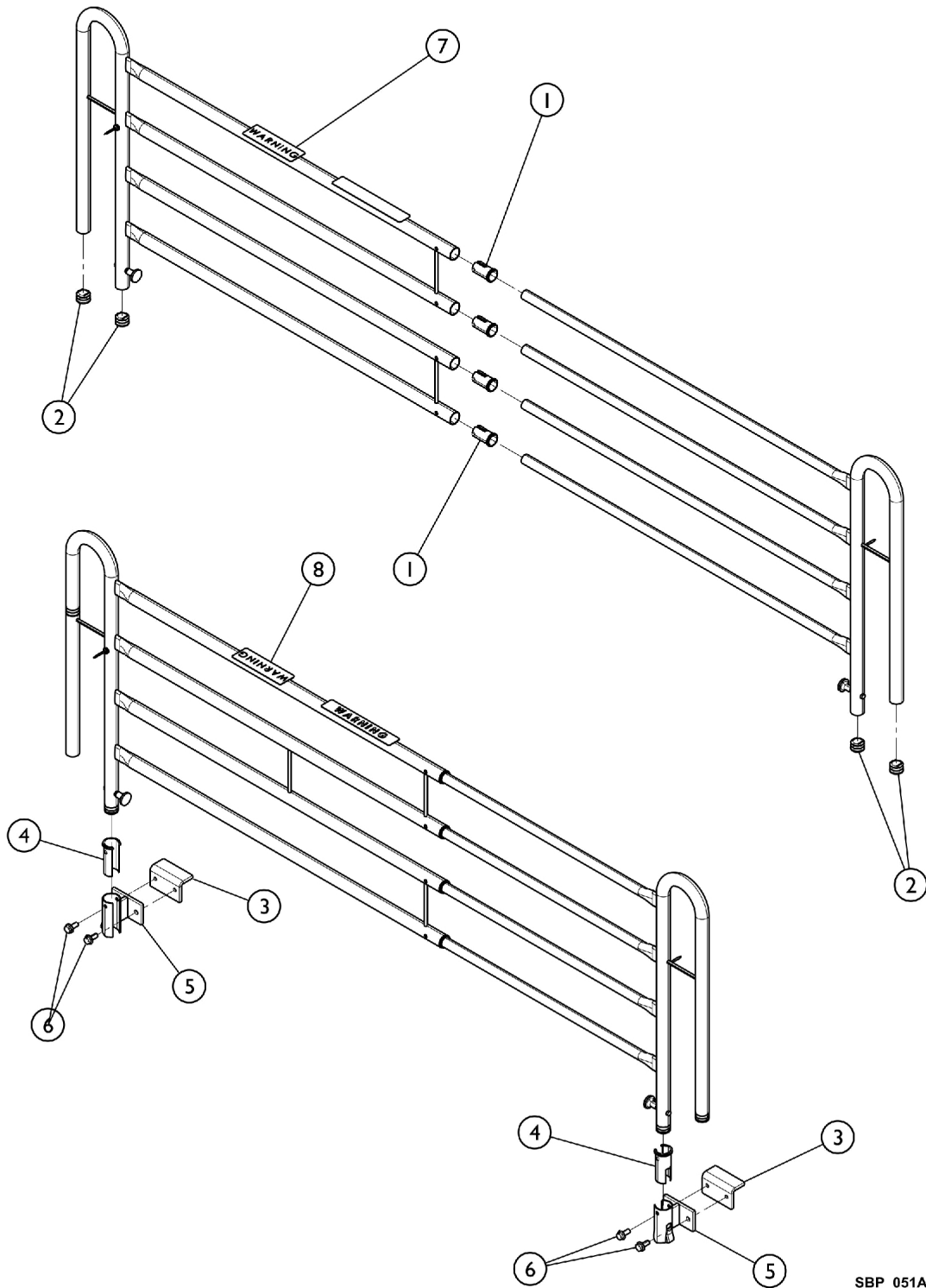
Mattress Cover



SBP_050A

Item Number	Note	Part Number	Description	Quantity Per	
				Package	Assembly
		1163135	Cover, Mattress - Solace Prevention Therapy (36" W x 80" L x 6" H)	1	1
		1169172	Cover, Mattress, Solace (36" W x 84" L x 6" H) (SRS1084)	1	1

Bed Rails - G29



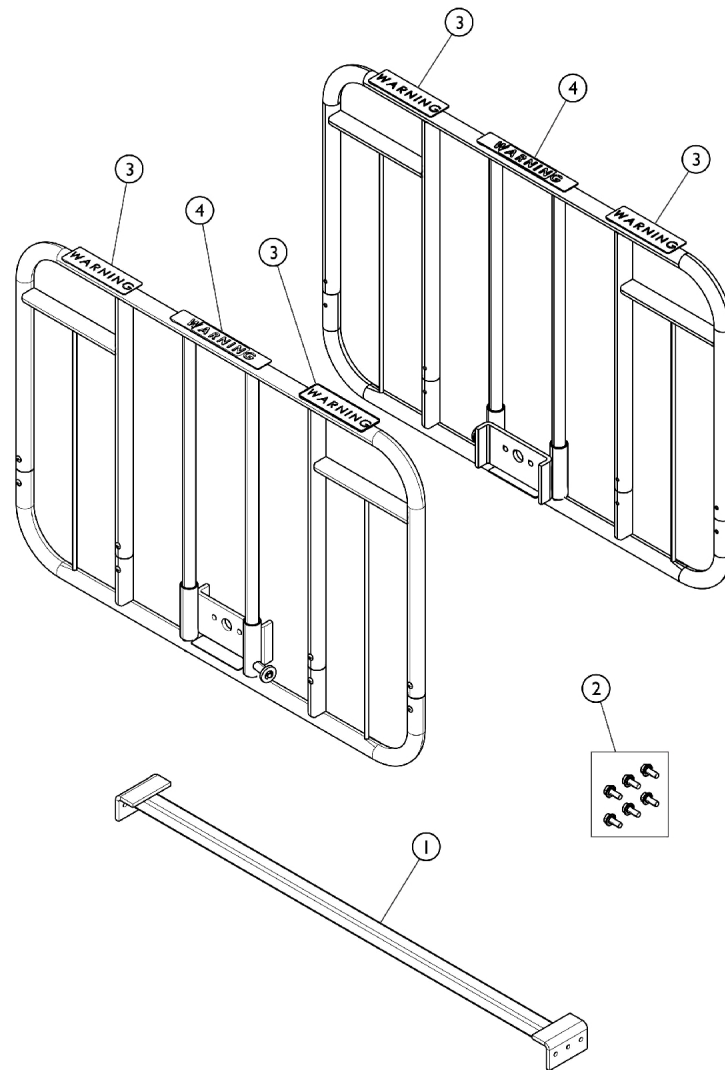
SBP_051A

Bed Rails - G29

Item Number	Note	Part Number	Description	Quantity Per	
				Package	Assembly
1		1182384	Bushing, Anti-Rattle, Bedrail	1	8
2		1057287	Plug Button, Grey (1")	1	4
3		1182396	Bracket, Rail Mount	1	2
4		1182394	Bushing, Anti-Rattle, Bedrail	1	4
5		1182401	Mount, Rail, Head Right/Foot Left	1	2
5		1182402	Mount, Rail, Head Left/Foot Right	1	2
6		51000M885	Screw, Hex Flange (5/16-18 x 3/4")	1	8
7		1180201	Label, Warning, Patient Entrapment	1	2
8		1180194	Label, Warning, Bed Rail	1	2

Colors have changed from Brown to White

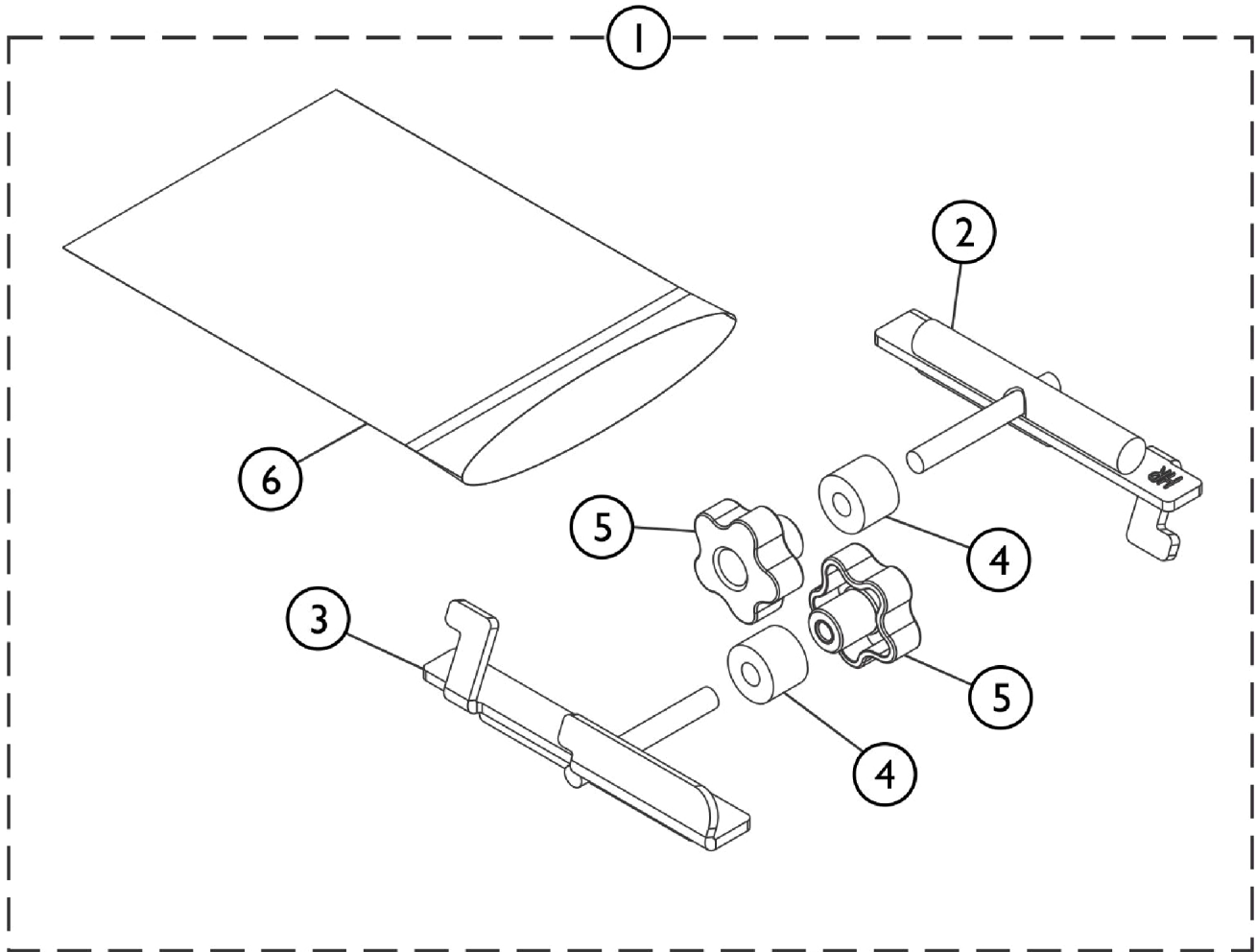
Bed Rails - G30



SBP_049A

Item Number	Note	Part Number	Description	Quantity Per	
				Package	Assembly
1		1182414	Crossbrace, Rail	1	2
2		51000M885	Screw, Hex Flange (5/16-18 x 3/4")	1	6
3		1180194	Label, Warning, Bed Rail	1	4
4		1180201	Label, Warning, Patient Entrapment	1	2

Bed Rails - G32



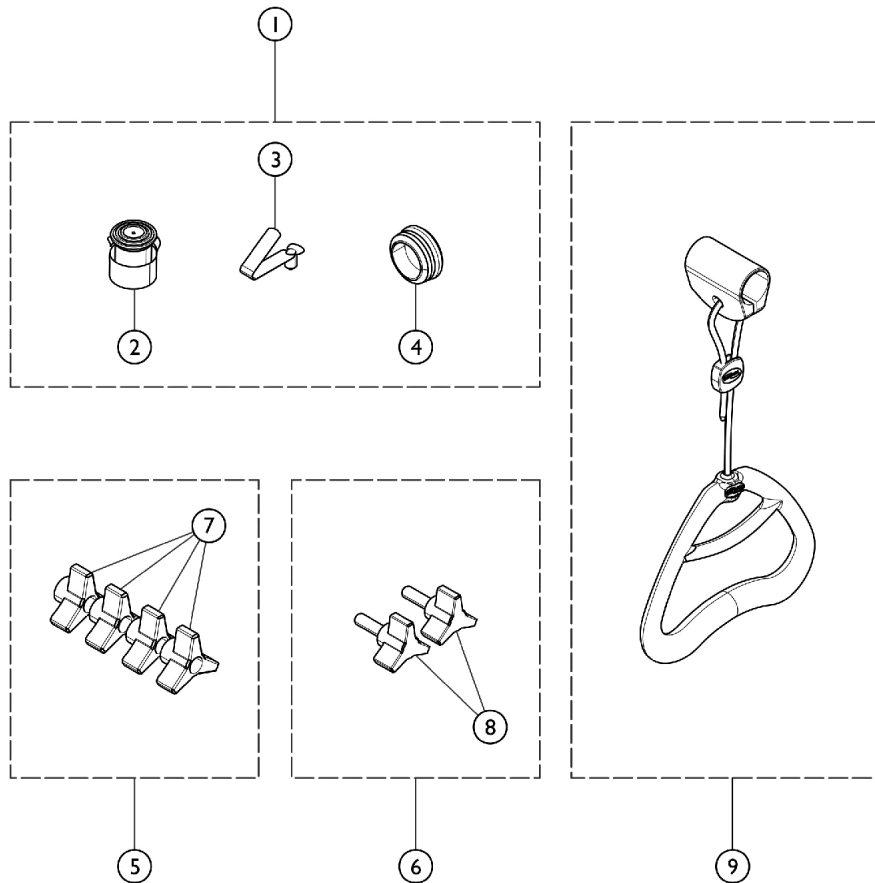
SBP_091A

Bed Rails - G32

Item Number	Note	Part Number	Description	Quantity Per	
				Package	Assembly
1	A	60106462	Kit, Slide Head Articulating Halfrail	1	1
2			Bracket, Claw Head, Brown - Right	1	1
3			Bracket, Claw Head, Brown - Left	1	1
4			Bushing	1	2
5			Knob, 3/8-16 w/ Insert	1	2
6			Bag, Zip Lip Poly (7" W x 10-3/4" L)	1	1

NOTE: A - Includes items 2-6.

Trapeze - G7740CS



SBP_048B

Item Number	Note	Part Number	Description	Quantity Per	
				Package	Assembly
1		1187024	NLA - Kit, Hardware, Trapeze	1	1
2			Tip, Rubber, Grey (1")	1	1
3			NLA - Button, Snap	1	1
4			NLA - Plug Button, Round, Black (1-1/2")	1	1
5		1187020	NLA - Kit, Knobs, Trapeze, Female	1	1
7			Knob, Female (3/8-16)	4	1
6		1187021	NLA - Kit, Knobs, Trapeze, Male	1	1
8			Knob, Male (5/16-18)	2	1
9		1147563	Handle, Trapeze Bar	1	1

Invacare Corporation

www.invacare.com



Yes, you can.

One Invacare Way
Elyria, Oh USA
44036-2125
800-333-6900

Technical Support
800-832-4707
Customer Service
800-333-6900

Literature Orders
800-333-6900

© 2022 Invacare Corporation. All rights reserved. Republication, duplication or modification in whole or in part is prohibited without prior written permission from Invacare. Trademarks are identified by [™] and ©. All trademarks are owned by or licensed to Invacare Corporation or its subsidiaries unless otherwise noted. (Revised 04/07/22)

Form No. 12-690