

Invacare® I-Lift®
Patient Transport Lift



Yes, you can.

Parts Catalog Usage Guide

The information contained in this document is subject to change without notice. This catalog contains service parts for Form No. 12-678. If you have any questions regarding this catalog, please contact one of our Customer Service Representatives.

For Customer Service Support Call:

1-800-333-6900

For Faxed In Orders Call:

1-800-678-4682 or

1-440-366-0709

For Technical Service Call:

1-800-832-4707

Literature Can Be Found at:

www.invacare.com or

1-800-828-6272

SYMBOL DEFINITION

Throughout this catalog you will notice letters to draw your attention to specific footnotes which are located at the bottom of the page or below specified charts.

Examples:

A,B,C etc. = Special Comments

NOTE: = General information pertaining to that specific page

NLA = No Longer Available

HARDWARE MEASUREMENTS

The measurements for the hardware will be listed as follows:

Screws, Bolts Diameter X Thread Count/Pitch X Length

Washers Inside Diameter X Outside Diameter X Thickness

Spacers Inside Diameter X Outside Diameter X Length

For your convenience, we have supplied an area for you to list your Invacare Representatives.

Name	Phone Numbers

© 2022 Invacare Corporation. All rights reserved. Republication, duplication or modification in whole or in part is prohibited without prior written permission from Invacare. Trademarks are identified by ™ and ®. All trademarks are owned by or licensed to Invacare Corporation or its subsidiaries unless otherwise noted.

TABLE of CONTENTS

Description	Page Number
00. Product Pictures	3
01. ILIFTEE - Electric Lift - Mast / Boom Assembly	4
02. ILIFTEE - Electric Lift - Hanger Bar, Labels, Battery Pack and Controller	7
03. ILIFTEE - Electric Lift - Base	11
04. ILIFTHM - Hydraulic Lift - Mast / Boom Assembly	13
05. ILIFTHM - Hydraulic Lift - Hanger Bar and Labels	16
06. ILIFTHM - Hydraulic Lift - Base	18
07. ILIFTEM - Manual Lift - Mast / Boom Assembly	21
08. ILIFTEM - Manual Lift - Hanger Bar, Labels, Battery Pack and Controller	24
09. ILIFTEM - Manual Lift - Base	28

Product Pictures



I-Lift Electrical Lift (ILIFTEE)



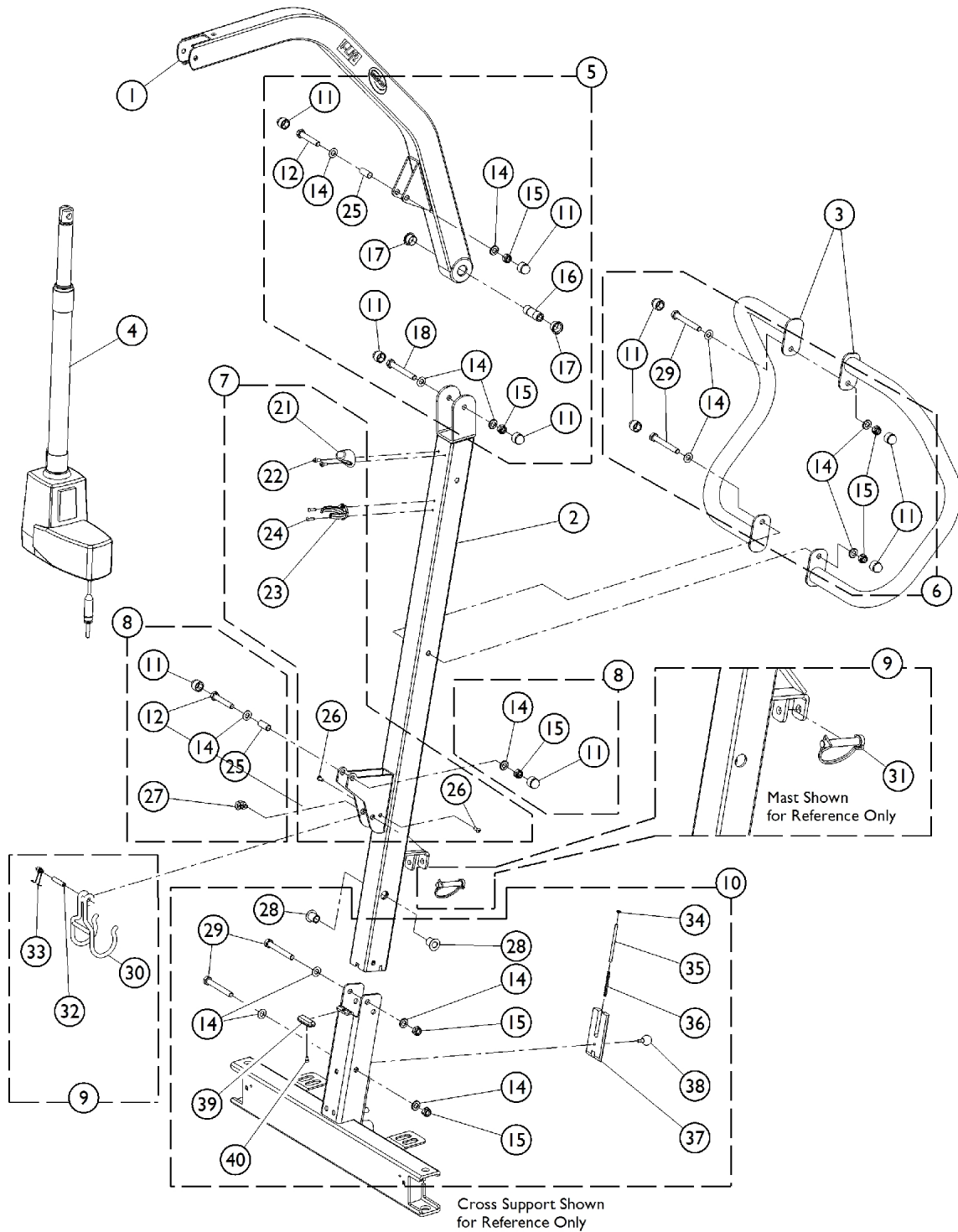
I-Lift Hydraulic Lift (ILIFTHM)



I-Lift Manual Lift (ILIFTEM)

Electric Lift - Mast / Boom Assembly

NOTE: Items that are not shown in this category but are included in Kits in the Parts List are used on other I-Lift Applications. All fasteners must be torqued to IFI/DIN standards.



Electric Lift - Mast / Boom Assembly

NOTE: Items that are not shown in this category but are included in Kits in the Parts List are used on other I-Lift Applications. All fasteners must be torqued to IFI/DIN standards.

Item Number	Note	Part Number	Description	Quantity Per	
				Package	Assembly
1		1156153	Boom Assembly	1	1
2		1156148-NLA	NLA - Mast Assembly, Electric	1	1
3		1156267-NLA	NLA - Push Handle	1	2
4	G	60126449	Actuator Motor w/ Bushings	1	1
5	A	1177610	NLA - Kit, Boom Mounting Hardware	1	1
11			Cap, End	1	4
12			Screw, Hex Head (M10 x 1.5 x 58mm)	1	1
13			Screw, Shoulder Hex Socket Head (3/8 x 1-1/2", 5/16-18)	1	1
14			Washer (10.5 x 20 x 2mm)	1	4
15			Locknut (M10 x 1.5mm)	1	2
16			Bushing (10 x 18 x 49mm)	1	1
17			Bearing, Teflon	1	2
18			Screw, Hex Head (M10 x 1.5 x 80mm)	1	1
19			Washer, Nylon (20 x 10.2 x 4.2mm)	1	2
20			Locknut (5/16-18)	1	1
25			Bushing (10 x 12 x 28mm)	1	1
6	B	1177611	Kit, Push Handle Mounting Hardware	1	1
11			Cap, End	1	4
14			Washer (10.5 x 20 x 2mm)	1	4
15			Locknut (M10 x 1.5mm)	1	2
29			Screw, Hex Head (M10 x 1.5 x 75mm)	1	2
7	C	1177612	NLA - Kit, Actuator Hardware, Mast	1	1
21			Protector, Mast	1	1
22			Screw, Socket Head Cap (M5 x .8 x 10mm)	1	2
41			Clip, Hydraulic	1	1
23			Clip, Actuator	1	1
24			Rivet (4 x 14mm)	1	2
26			Screw, Socket Button Head (M5 x .8 x 12mm)	1	2
8	D	1177613	Kit, Actuator Mounting Hardware	1	1
11			Cap, End	1	2
12			Screw, Hex Head (M10 x 1.5 x 58mm)	1	1
14			Washer (10.5 x 20 x 2mm)	1	2
15			Locknut (M10 x 1.5mm)	1	1
25			Bushing (10 x 12 x 28mm)	1	1
27			Lock, Wire	1	1
9	E	1177615	Kit, Folding Hook	1	1
30			Hook, Folder	1	1
31			Pin, Locking shaft (10 x 50mm)	1	1
32			Pin (8 x 36mm)	1	1
33			Spring, Hook	1	1
10	F	1177614	Kit, Mast Connector Hardware	1	1

Electric Lift - Mast / Boom Assembly

NOTE: Items that are not shown in this category but are included in Kits in the Parts List are used on other I-Lift Applications. All fasteners must be torqued to IFI/DIN standards.

Item Number	Note	Part Number	Description	Quantity Per	
				Package	Assembly
14			Washer (10.5 x 20 x 2mm)	1	4
15			Locknut (M10 x 1.5mm)	1	2
28			Bearing (16 x 10 x 25mm)	1	2
29			Screw, Hex Head (M10 x 1.5 x 75mm)	1	2
34			Washer (5.2 x 10 x 1mm)	1	1
35			Pin, Lock Plate (M5 x 80mm)	1	1
36			Spring (.5 x 5 x 50mm)	1	1
37			Plate, Lock	1	1
38			Ball (20mm) w/ Stud, Threaded (M6 x 1 x 13mm)	1	1
39			Rubber, Anti Scratch	1	1
40			Screw (M4 x 7mm)	1	1

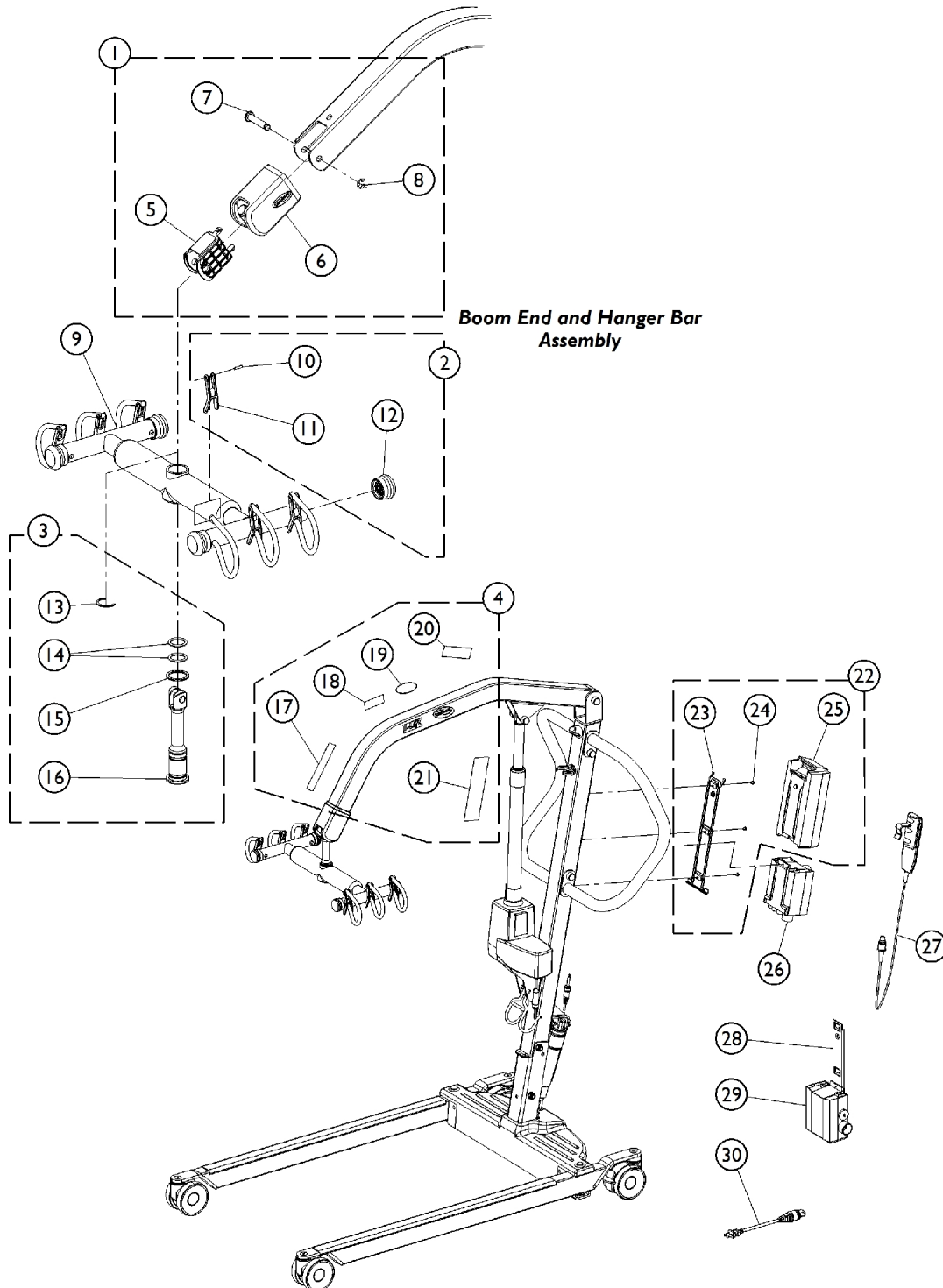
NOTE: A - Includes items 11 - 20, and 25. Items 13, 19, and 20 are not used on this Model and are not shown.
 B - Includes items 11, 14 - 15, and 29.
 C - Includes items 21 - 24, 26, and 41. Item 41 is not used on this Model and is not shown.
 D - Includes items 11 - 12, 14, 15, 25, and 27.
 E - Includes items 30 - 33.
 F - Includes items 14, 15, 28, 29, and 34 - 40.
 G - Part #1078273 Actuator Motor is No Longer Available and replaced with part #60126449 Actuator Motor that now includes press-fitted Bushings. Item #25 Bushing no longer required

NOTE: Some Items that are not shown on Illustration but are included in Kits on this page are used for other I-Lift Applications. All fasteners must be torqued to IFI/DIN standards.

Electric Lift - Hanger Bar, Labels, Battery Pack and Controller

NOTE: All fasteners must be torqued to IFI/DIN standards.

NOTE: Item #22 Battery and Bracket Kit is currently not available at this time. Use Items 23, 24, and 25 to replace battery.



Electric Lift - Hanger Bar, Labels, Battery Pack and Controller

NOTE: All fasteners must be torqued to IFI/DIN standards.

NOTE: Item #22 Battery and Bracket Kit is currently not available at this time. Use Items 23, 24, and 25 to replace battery.

Electric Lift - Hanger Bar, Labels, Battery Pack and Controller

NOTE: All fasteners must be torqued to IFI/DIN standards.

NOTE: Item #22 Battery and Bracket Kit is currently not available at this time. Use Items 23, 24, and 25 to replace battery.

Item Number	Note	Part Number	Description	Quantity Per	
				Package	Assembly
1	A	1177616	Kit, Hanger Bar Mounting Hardware	1	1
5			Plug, Boom	1	1
6			Foam, Cover	1	1
7			Pin, Clevis (M10)	1	1
8			Clip (M10)	1	1
2	B	1177617-NLA	NLA - Kit, Hanger Bar Retainer Strap and Plug Button	1	1
10			Pin, Roll	1	6
11			Strap Retainer	1	6
12			Plug, Hanger Bar	1	4
3	C	1177618	Kit, Hanger Bar Pin Assembly	1	1
13			Clip, "C"	1	1
14			O-Ring	1	2
15			Washer, Bearing	1	1
16			Pin, Hanger Bar	1	1
4	D	1177620	Kit, Label	1	1
17			Label, Weight US	1	1
18			Label, I-Lift	1	2
19			NLA - Decal, Invacare Logo (3.1)	1	2
20			Label, Sling	1	2
21			Label, Warning, Lift, 450 Pound Capacity	1	1
22	E	1177621-NLA	NLA - Kit, Battery and Mounting Bracket	1	1
23			Bracket, Battery - Electric Only	1	1
24			Screw, Phillips, Pan Head (10-24 x 1/4")	1	3
25			Battery	1	1
23		1078284	Bracket, Battery - Electric Only	1	1
24		1078980	Screw, Phillips Pan Head (#10-24 x 1/4")	1	3
25		1152383	Battery Pack	1	1
9		1177640-NLA	NLA - Hanger Bar Assembly	1	1
26		1175309-NLA	NLA - Controller	1	1
27		1177596	Pendant, Four Channel w/ Hook (Linak Number: HB30002-XX) Digital Elec.	1	1
28		1078306	Bracket, Wall Mount Charger	1	1
29		1175312	Charger	1	1
30		1079133	Cord, Power, USA	1	1

Electric Lift - Hanger Bar, Labels, Battery Pack and Controller

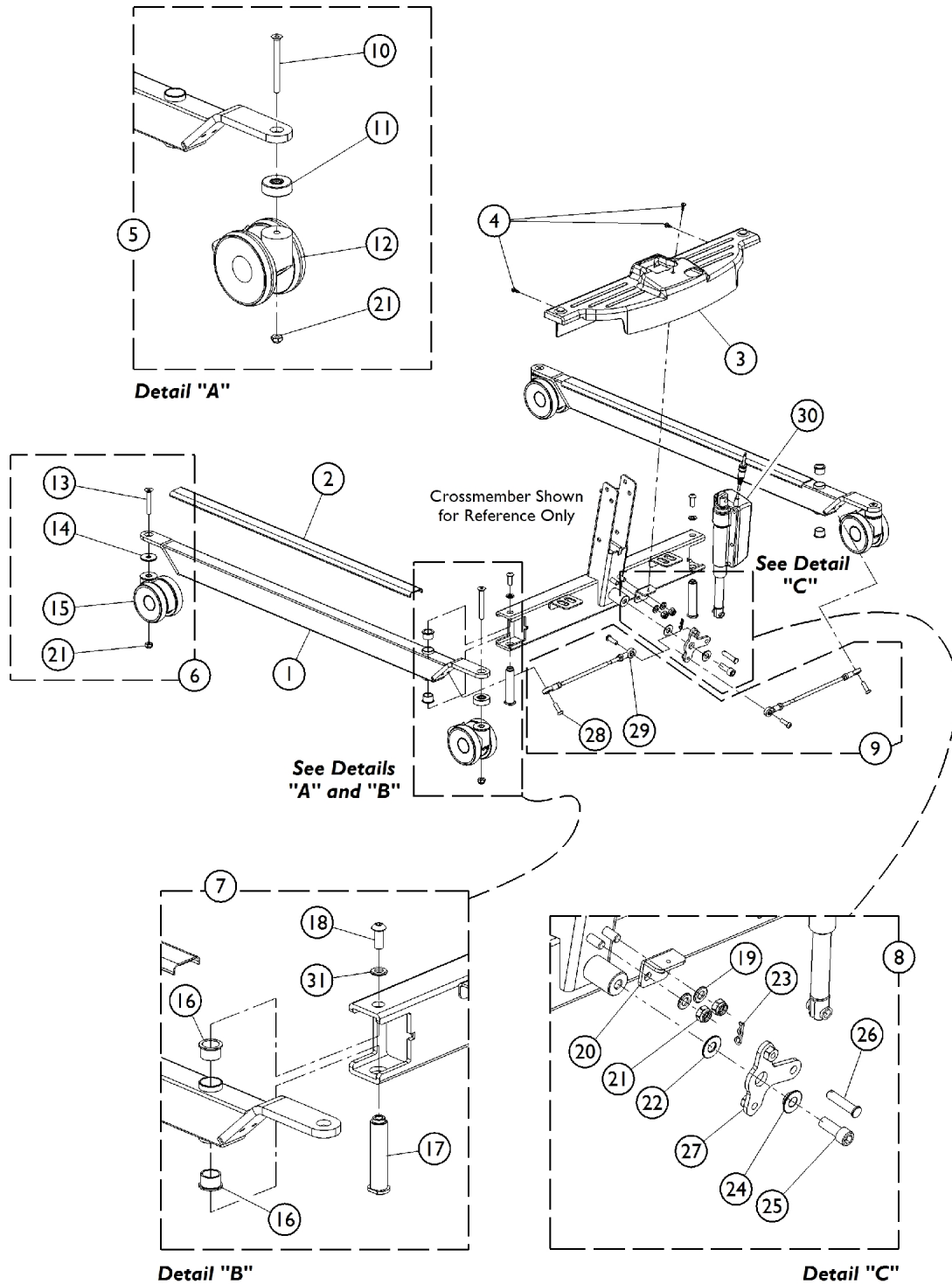
NOTE: All fasteners must be torqued to IFI/DIN standards.

NOTE: Item #22 Battery and Bracket Kit is currently not available at this time. Use Items 23, 24, and 25 to replace battery.

NOTE: A - Includes items 5, 6, 7, and 8.
B - Includes items 10, 11, and 12.
C - Includes items 13, 14, 15, and 16.
D - Includes items 17, 18, 19, 20, and 21.
E - 1177621 is not currently available at this time, please use the following part numbers as replacements, item 23 (1078284), item 24 (1078980), and item 25 (1152383).

Electric Lift - Base

NOTE: All fasteners must be torqued to IFI/DIN standards.



Electric Lift - Base

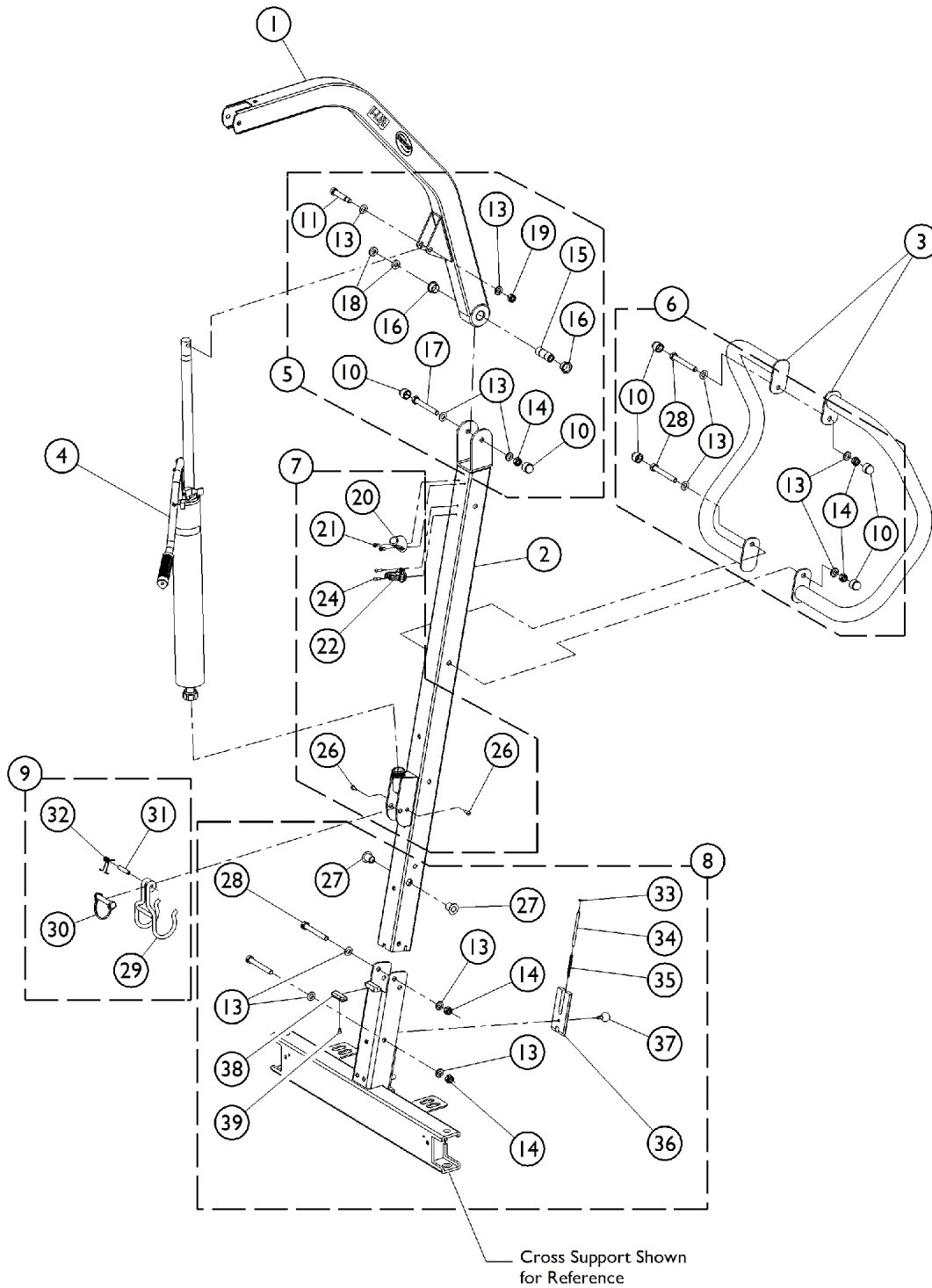
NOTE: All fasteners must be torqued to IFI/DIN standards.

Item Number	Note	Part Number	Description	Quantity Per	
				Package	Assembly
1		1156139	Leg Assembly	1	2
2		1175245-NLA	NLA - Cover, Leg Protection	1	2
3		1156232-NLA	NLA - Shroud, Electric Base	1	1
4		1023632	Clip, Shroud	1	3
30		1175313	Actuator	1	1
5	A	1177622-NLA	NLA - Kit, Rear Caster w/ Hardware, Locking (Pair)	1	1
10			Screw, Socket, Countersunk Head (M10 x 1.5 x 85mm)	1	2
11			Spacer (41.3 x 10.2 x 15mm)	1	2
12			Caster, Rear Locking	1	2
21			Locknut (M10 x 1.5mm)	1	2
6	B	1177623-NLA	NLA - Kit, Front Caster w /Hardware (Pair)	1	1
13			Screw, Socket, Countersunk Head (M10 x 1.5 x 70mm)	1	2
14			Spacer (40 x 10.5 x 3mm)	1	2
15			Caster, Front	1	2
21			Locknut (M10 x 1.5mm)	1	2
7	C	1177624-NLA	NLA - Kit, Leg to Crossmember Mounting Hardware (Pair)	1	1
16			Bushing, Bronze	1	4
17			Bushing, Base and Leg	1	2
18			Screw, Socket Button Head, (M10 x 1.5 x 22mm)	1	2
31			Lock Washer, Split (M10)	1	2
8	D	1177625-NLA	NLA - Kit, Actuator Mounting Hardware	1	1
19			Washer (10.5 x 20 x 2mm)	1	2
20			Plate, Support, Electric Base	1	1
21			Locknut (M10 x 1.5mm)	1	2
22			Washer (28mm x 12mm x 2mm)	1	1
23			Pin, Hitch (3/8 x 1-3/16")	1	1
24			Bearing, Flange (12mm x 18mm x 7.6mm)	1	1
25			Screw, Socket Head (M12 x 1.75 x 30mm)	1	1
26			Pin, Clevis (10mm x 44mm)	1	1
27			Bracket, Linkage	1	1
9	E	1177629-NLA	NLA - Kit, Linkage (Pair)	1	1
28			Screw, Socket Button Head w/ Patch (M8 x 1.25 x 25mm)	1	4
29			Tie Rod Assembly	1	2

NOTE: A - Includes items 10-12 and 21.
 B - Includes items 13-15 and 21.
 C - Includes items 16-19.
 D - Includes items 19-27. Item #26 1142010 is now available from The Aftermarket Group (TAG) under part number TAG1142010.
 E - Includes items 28-29.

Hydraulic Lift - Mast / Boom Assembly

NOTE: Items that are not shown in this category but are included in Kits in the Parts List are used on other I-Lift Applications. All fasteners must be torqued to IFI/DIN standards.



Hydraulic Lift - Mast / Boom Assembly

NOTE: Items that are not shown in this category but are included in Kits in the Parts List are used on other I-Lift Applications. All fasteners must be torqued to IFI/DIN standards.

Item Number	Note	Part Number	Description	Quantity Per	
				Package	Assembly
1		1156153	Boom Assembly	1	1
2		1156241-NLA	NLA - Mast Assembly, Hydraulic	1	1
3		1156267-NLA	NLA - Push Handle	1	2
4		1175231-NLA	NLA - Pump, Hydraulic	1	1
5	A,C,D, E	1177610	NLA - Kit, Boom Mounting Hardware	1	1
10			Cap, End	1	4
11			Screw, Hex Head (M10 x 1.5 x 58mm)	1	1
12			Screw, Shoulder Hex Socket Head (3/8 x 1-1/2", 5/16-18)	1	1
13			Washer (10.5 x 20 x 2mm)	1	4
14			Locknut (M10 x 1.5mm)	1	2
15			Bushing (10 x 18 x 49mm)	1	1
16			Bearing, Teflon	1	2
17			Screw, Hex Head (M10 x 1.5 x 80mm)	1	1
18			Washer, Nylon (20 x 10.2 x 4.2mm)	1	2
19			Locknut (5/16-18)	1	1
23			Bushing (10 x 12 x 28mm)	1	1
6	F	1177611	Kit, Push Handle Mounting Hardware	1	1
10			Cap, End	1	4
13			Washer (10.5 x 20 x 2mm)	1	4
14			Locknut (M10 x 1.5mm)	1	2
28			Screw, Hex Head (M10 x 1.5 x 75mm)	1	2
7	B	1177612	NLA - Kit, Actuator Hardware, Mast	1	1
20			Protector, Mast	1	1
21			Screw, Socket Head Cap (M5 x .8 x 10mm)	1	2
22			Clip, Hydraulic	1	1
25			Clip, Actuator	1	1
24			Rivet (4 x 14mm)	1	2
26			Screw, Socket Button Head (M5 x .8 x 12mm)	1	2
8	G	1177614	Kit, Mast Connector Hardware	1	1
13			Washer (10.5 x 20 x 2mm)	1	4
14			Locknut (M10 x 1.5mm)	1	2
27			Bearing (16 x 10 x 25mm)	1	2
28			Screw, Hex Head (M10 x 1.5 x 75mm)	1	2
33			Washer (5.2 x 10 x 1mm)	1	1
34			Pin, Lock Plate (M5 x 80mm)	1	1
35			Spring (.5 x 5 x 50mm)	1	1
36			Plate, Lock	1	1
37			Ball (20mm) w/ Stud, Threaded (M6 x 1 x 13mm)	1	1
38			Rubber, Anti Scratch	1	1
39			Screw (M4 x 7mm)	1	1

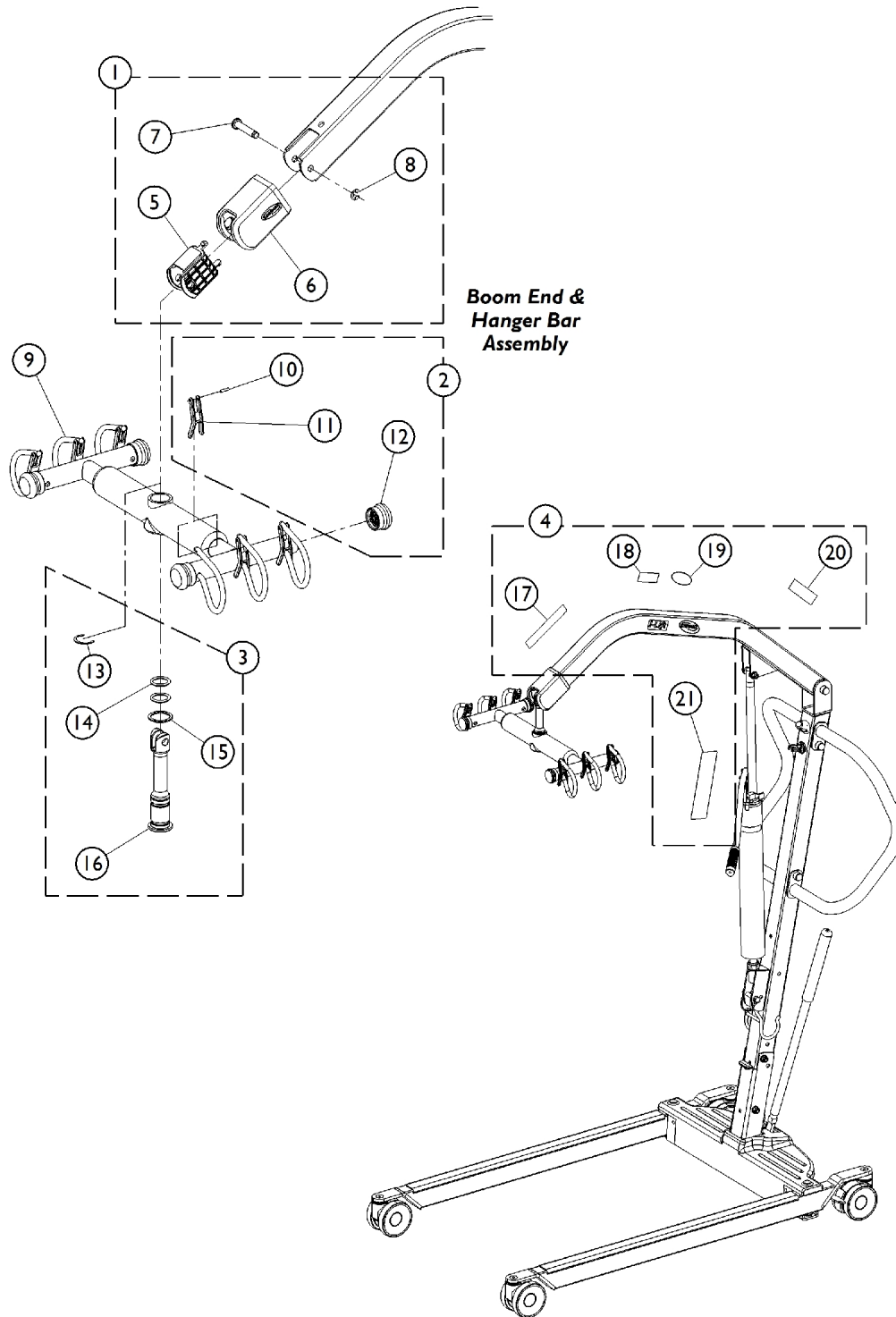
Hydraulic Lift - Mast / Boom Assembly

NOTE: Items that are not shown in this category but are included in Kits in the Parts List are used on other I-Lift Applications. All fasteners must be torqued to IFI/DIN standards.

Item Number	Note	Part Number	Description	Quantity Per	
				Package	Assembly
9	H	1177615	Kit, Folding Hook	1	1
29			Hook, Folder	1	1
30			Pin, Locking shaft (10 x 50mm)	1	1
31			Pin (8 x 36mm)	1	1
32			Spring, Hook	1	1
<p>NOTE: A - Includes items 10 - 19 and 23. Items 12 and 23 are not used on this Application and are not shown in the illustration. B - Includes items 20 - 22 and 24 - 26. Item 25 is not used on this Application and is not shown in the illustration. C - Hydraulic Lift requires only (2) of Item 10. D - Hydraulic Lift requires only (2) of Item 14. E - Hydraulic Lift requires only (2) of Item 17. F - Includes items 10, 13, 14, and 28. G - Includes items 13, 14, 27, 28, and 33 - 39. H - Includes items 29 - 32.</p> <p>NOTE: Items that are not shown in this category but are included in Kits in the Parts List are used on other I-Lift Applications.</p>					

Hydraulic Lift - Hanger Bar and Labels

NOTE: All fasteners must be torqued to IFI/DIN standards.



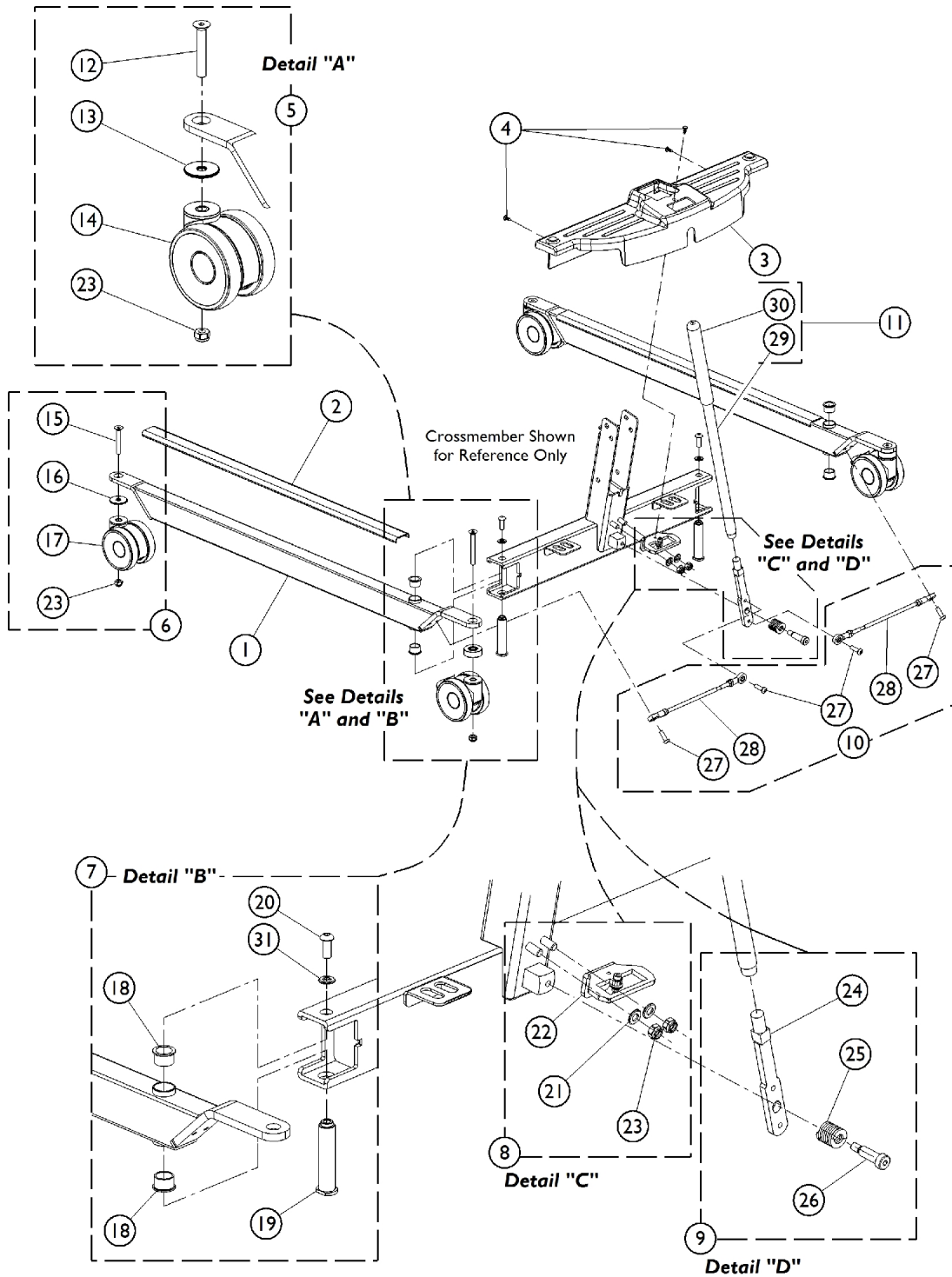
Hydraulic Lift - Hanger Bar and Labels

NOTE: All fasteners must be torqued to IFI/DIN standards.

Item Number	Note	Part Number	Description	Quantity Per	
				Package	Assembly
1	A	1177616	Kit, Hanger Bar Mounting Hardware	1	1
5			Plug, Boom	1	1
6			Foam, Cover	1	1
7			Pin, Clevis (M10)	1	1
8			Clip (M10)	1	1
9	B	1177640-NLA	NLA - Hanger Bar Assembly	1	1
2	C	1177617-NLA	NLA - Kit, Hanger Bar Retainer Strap and Plug Button	1	1
10			Pin, Roll	1	6
11			Strap Retainer	1	6
12			Plug, Hanger Bar	1	4
3	D	1177618	Kit, Hanger Bar Pin Assembly	1	1
13			Clip, "C"	1	1
14			O-Ring	1	2
15			Washer, Bearing	1	1
16			Pin, Hanger Bar	1	1
4	E	1177620	Kit, Label	1	1
17			Label, Weight US	1	1
18			Label, I-Lift	1	2
19			NLA - Decal, Invacare Logo (3.1)	1	2
20			Label, Sling	1	2
21			Label, Warning, Lift, 450 Pound Capacity	1	1
<p>NOTE: A - Includes items 5, 6, 7, and 8. B - Includes the Hanger Bar and items 10, 11, and 12. C - Includes items 11, 12, and 13. D - Includes items 13, 14, 15, and 16. E - Includes items 17 - 21.</p>					

Hydraulic Lift - Base

NOTE: All fasteners must be torqued to IFI/DIN standards.



Hydraulic Lift - Base

NOTE: All fasteners must be torqued to IFI/DIN standards.

Item Number	Note	Part Number	Description	Quantity Per	
				Package	Assembly
1		1156139	Leg Assembly	1	2
2		1175245-NLA	NLA - Cover, Leg Protection	1	2
3		1156233-NLA	NLA - Shroud, Manual Base	1	1
4		1023632	Clip, Shroud	1	3
5	A	1177622-NLA	NLA - Kit, Rear Caster w/ Hardware, Locking (Pair)	1	1
12			Screw, Socket, Countersunk Head (M10 x 1.5 x 85mm)	1	2
13			Spacer (41.3 x 10.2 x 15mm)	1	2
14			Caster, Rear Locking	1	2
23			Locknut (M10 x 1.5mm)	1	2
6	B	1177623-NLA	NLA - Kit, Front Caster w /Hardware (Pair)	1	1
15			Screw, Socket, Countersunk Head (M10 x 1.5 x 70mm)	1	2
16			Spacer (40 x 10.5 x 3mm)	1	2
17			Caster, Front	1	2
23			Locknut (M10 x 1.5mm)	1	2
7	C	1177624-NLA	NLA - Kit, Leg to Crossmember Mounting Hardware (Pair)	1	1
18			Bushing, Bronze	1	4
19			Bushing, Base and Leg	1	2
20			Screw, Socket Button Head, (M10 x 1.5 x 22mm)	1	2
31			Lock Washer, Split (M10)	1	2
8	D	1177626-NLA	NLA - Kit, Index Plate w /Hardware	1	1
21			Washer (10.5 x 20 x 2mm)	1	2
22			Index Plate Assembly	1	1
23			Locknut (M10 x 1.5mm)	1	2
9	E	1177627-NLA	NLA - Kit, Handle Mount	1	1
24			Handle, Mount	1	1
25			Spring, Compression (1 x 1-1/16 x 1/8")	1	1
26			Screw, Shoulder Hex Socket Head w/ Patch (1/2" x 1-1/4", 3/8-16)	1	1
10	F	1177629-NLA	NLA - Kit, Linkage (Pair)	1	1
27			Screw, Socket Button Head w/ Patch (M8 x 1.25 x 25mm)	1	4
28			Tie Rod Assembly	1	2
11	G	1177628	NLA - Kit, Handle w /Grip	1	1
29			Handle	1	1
30			Grip, Cane	1	1

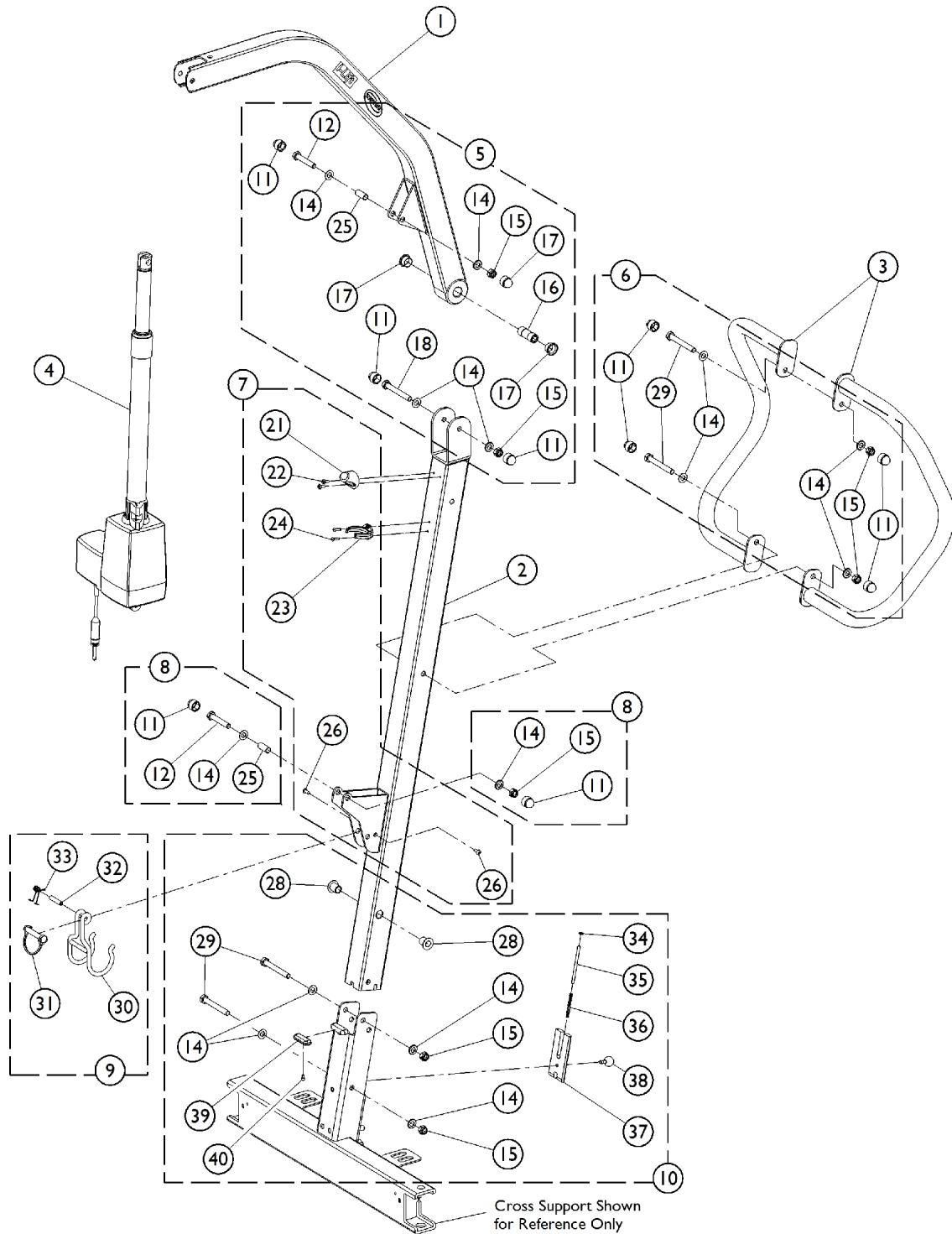
Hydraulic Lift - Base

NOTE: All fasteners must be torqued to IFI/DIN standards.

NOTE: A - Includes items 12-14 and 23.
B - Includes items 15-17 and 23.
C - Includes items 18-21.
D - Includes items 21-23.
E - Includes items 24-26.
F - Includes items 27-28.
G - Includes items 29-30.

Manual Lift - Mast / Boom Assembly

NOTE: All fasteners must be torqued to IFI/DIN standards.



Manual Lift - Mast / Boom Assembly

NOTE: All fasteners must be torqued to IFI/DIN standards.

Item Number	Note	Part Number	Description	Quantity Per	
				Package	Assembly
1		1156153	Boom Assembly	1	1
2		1156240-NLA	NLA - Mast Assembly, Manual	1	1
3		1156267-NLA	NLA - Push Handle	1	2
4	G	60126449	Actuator Motor w/ Bushings	1	1
5	A	1177610	NLA - Kit, Boom Mounting Hardware	1	1
11			Cap, End	1	4
12			Screw, Hex Head (M10 x 1.5 x 58mm)	1	1
13			Screw, Shoulder Hex Socket Head (3/8 x 1-1/2", 5/16-18)	1	1
14			Washer (10.5 x 20 x 2mm)	1	4
15			Locknut (M10 x 1.5mm)	1	2
16			Bushing (10 x 18 x 49mm)	1	1
17			Bearing, Teflon	1	2
18			Screw, Hex Head (M10 x 1.5 x 80mm)	1	1
19			Washer, Nylon (20 x 10.2 x 4.2mm)	1	2
20			Locknut (5/16-18)	1	1
25			Bushing (10 x 12 x 28mm)	1	1
6	B	1177611	Kit, Push Handle Mounting Hardware	1	1
11			Cap, End	1	4
14			Washer (10.5 x 20 x 2mm)	1	4
15			Locknut (M10 x 1.5mm)	1	2
29			Screw, Hex Head (M10 x 1.5 x 75mm)	1	2
7	C	1177612	NLA - Kit, Actuator Hardware, Mast	1	1
21			Protector, Mast	1	1
22			Screw, Socket Head Cap (M5 x .8 x 10mm)	1	2
41			Clip, Hydraulic	1	1
23			Clip, Actuator	1	1
24			Rivet (4 x 14mm)	1	2
26			Screw, Socket Button Head (M5 x .8 x 12mm)	1	2
8	D	1177613	Kit, Actuator Mounting Hardware	1	1
11			Cap, End	1	2
12			Screw, Hex Head (M10 x 1.5 x 58mm)	1	1
14			Washer (10.5 x 20 x 2mm)	1	2
15			Locknut (M10 x 1.5mm)	1	1
25			Bushing (10 x 12 x 28mm)	1	1
27			Lock, Wire	1	1
9	E	1177615	Kit, Folding Hook	1	1
30			Hook, Folder	1	1
31			Pin, Locking shaft (10 x 50mm)	1	1
32			Pin (8 x 36mm)	1	1
33			Spring, Hook	1	1

Manual Lift - Mast / Boom Assembly

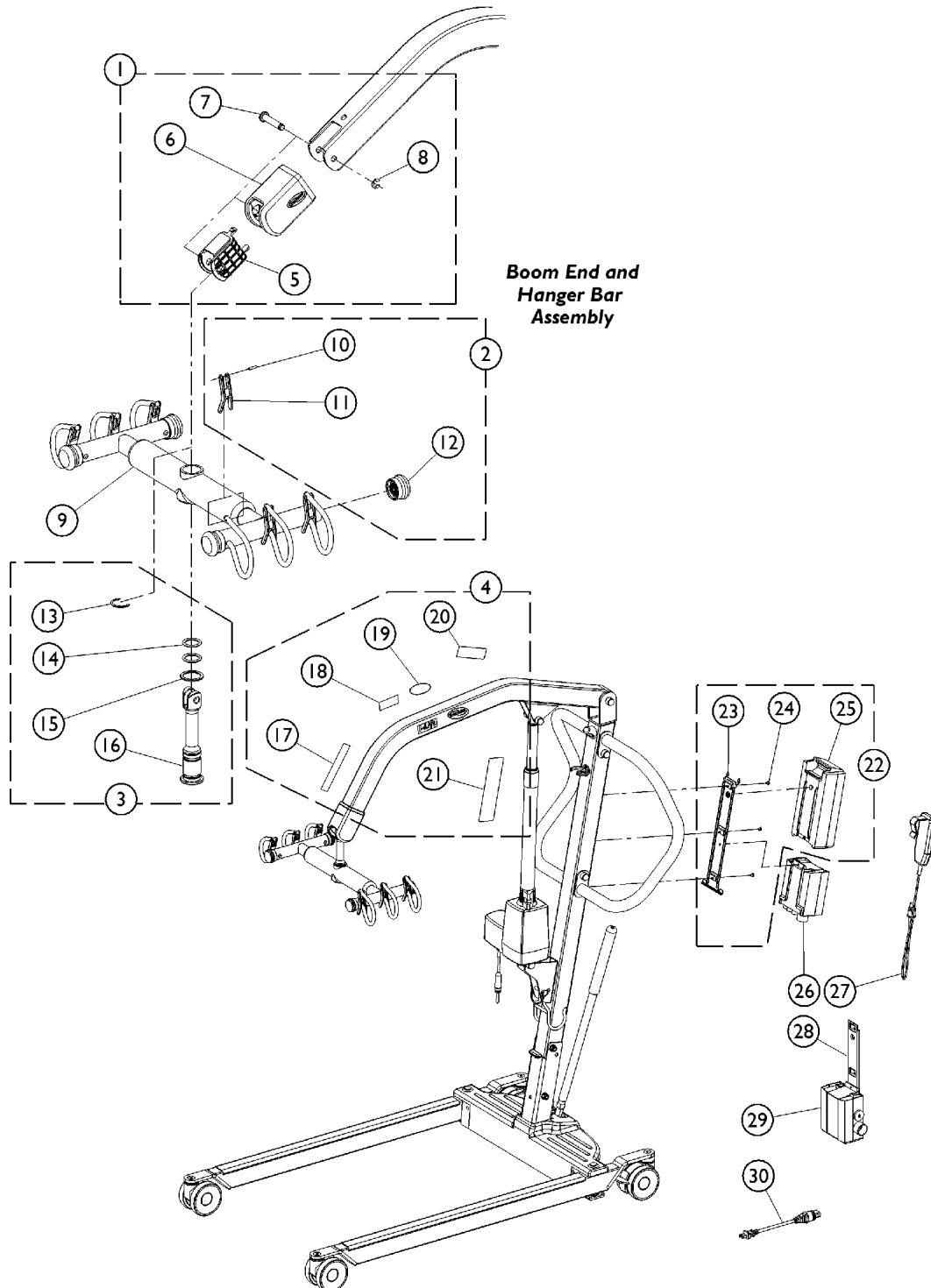
NOTE: All fasteners must be torqued to IFI/DIN standards.

Item Number	Note	Part Number	Description	Quantity Per	
				Package	Assembly
10	F	1177614	Kit, Mast Connector Hardware	1	1
14			Washer (10.5 x 20 x 2mm)	1	4
15			Locknut (M10 x 1.5mm)	1	2
28			Bearing (16 x 10 x 25mm)	1	2
29			Screw, Hex Head (M10 x 1.5 x 75mm)	1	2
34			Washer (5.2 x 10 x 1mm)	1	1
35			Pin, Lock Plate (M5 x 80mm)	1	1
36			Spring (.5 x 5 x 50mm)	1	1
37			Plate, Lock	1	1
38			Ball (20mm) w/ Stud, Threaded (M6 x 1 x 13mm)	1	1
39			Rubber, Anti Scratch	1	1
40			Screw (M4 x 7mm)	1	1
<p>NOTE: A - Includes items 11-20 and 25. Items 13, 19 and 20 are not used on this Model and are not shown. B - Includes items 11-15 and 29.. C - Includes items 21-24, 26 and 41. Item 41 is not used on this Model and is not shown. D - Includes items 11-12, 14-15, 25 and 27. Item 27 is not used on this Model and is not shown. E - Includes items 30-33. F - Includes items 14-15, 28-29 and 34-40. G - Part #1078273 Actuator Motor is No Longer Available and replaced with part #60126449 Actuator Motor that now includes press-fitted Bushings. Item #25 Bushing no longer required</p> <p>Note: Items that are not shown on Illustration but are included in Kits on this page are used for other Model Applications.</p>					

Manual Lift - Hanger Bar, Labels, Battery Pack and Controller

NOTE: All fasteners must be torqued to IFI/DIN standards.

NOTE: Item #22 Battery and Bracket Kit is currently not available at this time. Use Items 23, 24, and 25 to replace battery.



Manual Lift - Hanger Bar, Labels, Battery Pack and Controller

NOTE: All fasteners must be torqued to IFI/DIN standards.

NOTE: Item #22 Battery and Bracket Kit is currently not available at this time. Use Items 23, 24, and 25 to replace battery.

Manual Lift - Hanger Bar, Labels, Battery Pack and Controller

NOTE: All fasteners must be torqued to IFI/DIN standards.

NOTE: Item #22 Battery and Bracket Kit is currently not available at this time. Use Items 23, 24, and 25 to replace battery.

Item Number	Note	Part Number	Description	Quantity Per	
				Package	Assembly
1	A	1177616	Kit, Hanger Bar Mounting Hardware	1	1
5			Plug, Boom	1	1
6			Foam, Cover	1	1
7			Pin, Clevis (M10)	1	1
8			Clip (M10)	1	1
2	B	1177617-NLA	NLA - Kit, Hanger Bar Retainer Strap and Plug Button	1	1
10			Pin, Roll	1	6
11			Strap Retainer	1	6
12			Plug, Hanger Bar	1	4
3	C	1177618	Kit, Hanger Bar Pin Assembly	1	1
13			Clip, "C"	1	1
14			O-Ring	1	2
15			Washer, Bearing	1	1
16			Pin, Hanger Bar	1	1
4	D	1177620	Kit, Label	1	1
17			Label, Weight US	1	1
18			Label, I-Lift	1	2
19			NLA - Decal, Invacare Logo (3.1)	1	2
20			Label, Sling	1	2
21			Label, Warning, Lift, 450 Pound Capacity	1	1
9	E	1177640-NLA	NLA - Hanger Bar Assembly	1	1
22	F,G	1177621-NLA	NLA - Kit, Battery and Mounting Bracket	1	1
23			Bracket, Battery - Electric Only	1	1
24			Screw, Phillips, Pan Head (10-24 x 1/4")	1	3
25			Battery	1	1
23		1078284	Bracket, Battery - Electric Only	1	1
24		1078980	Screw, Phillips Pan Head (#10-24 x 1/4")	1	3
25		1152383	Battery Pack	1	1
26		1175310-NLA	NLA - Controller	1	1
27		1177595	Pendant, Two Channel w/ Hook	1	1
28		1078306	Bracket, Wall Mount Charger	1	1
29		1175312	Charger	1	1
30		1079133	Cord, Power, USA	1	1

Manual Lift - Hanger Bar, Labels, Battery Pack and Controller

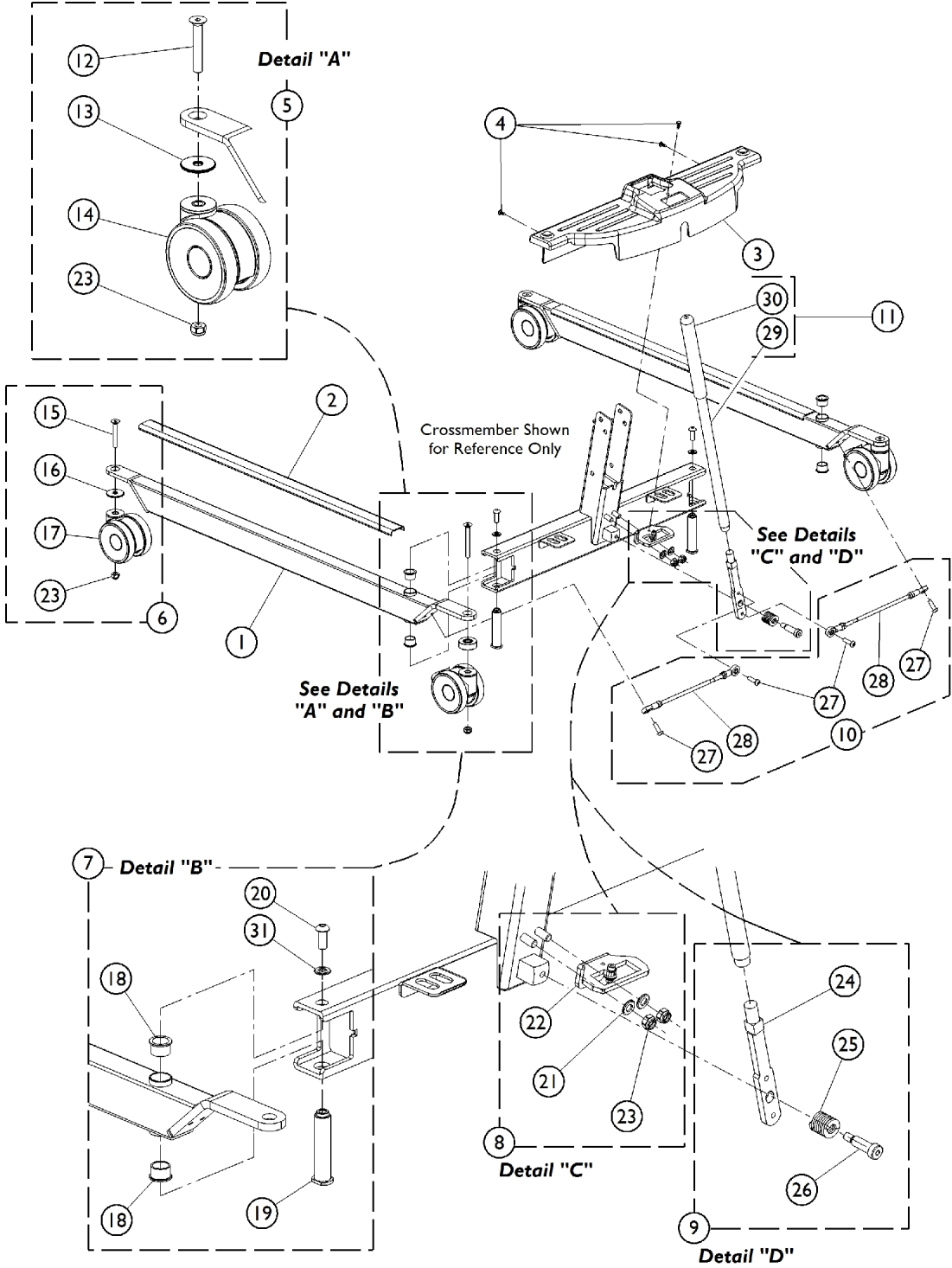
NOTE: All fasteners must be torqued to IFI/DIN standards.

NOTE: Item #22 Battery and Bracket Kit is currently not available at this time. Use Items 23, 24, and 25 to replace battery.

NOTE: A - Includes items 5, 6, 7, and 8.
B - Includes items 10, 11, and 12.
C - Includes items 13, 14, 15, and 16.
D - Includes items 17 - 21.
E - Includes Hanger Bar and items 11, 12, and 13.
F - Includes items 23, 24, and 25.
G - 1177621 is not currently available at this time, please use the following part numbers as replacements, item 23 (1078284), item 24 (1078980), and item 25 (1152383).

Manual Lift - Base

NOTE: All fasteners must be torqued to IFI/DIN standards.



Manual Lift - Base

NOTE: All fasteners must be torqued to IFI/DIN standards.

Item Number	Note	Part Number	Description	Quantity Per	
				Package	Assembly
1		1156139	Leg Assembly	1	2
2		1175245-NLA	NLA - Cover, Leg Protection	1	2
3		1156233-NLA	NLA - Shroud, Manual Base	1	1
4		1023632	Clip, Shroud	1	3
5	A	1177622-NLA	NLA - Kit, Rear Caster w/ Hardware, Locking (Pair)	1	1
12			Screw, Socket, Countersunk Head (M10 x 1.5 x 85mm)	1	2
13			Spacer (41.3 x 10.2 x 15mm)	1	2
14			Caster, Rear Locking	1	2
23			Locknut (M10 x 1.5mm)	1	2
6	B	1177623-NLA	NLA - Kit, Front Caster w /Hardware (Pair)	1	1
15			Screw, Socket, Countersunk Head (M10 x 1.5 x 70mm)	1	2
16			Spacer (40 x 10.5 x 3mm)	1	2
17			Caster, Front	1	2
23			Locknut (M10 x 1.5mm)	1	2
7	C	1177624-NLA	NLA - Kit, Leg to Crossmember Mounting Hardware (Pair)	1	1
18			Bushing, Bronze	1	4
19			Bushing, Base and Leg	1	2
20			Screw, Socket Button Head, (M10 x 1.5 x 22mm)	1	2
31			Lock Washer, Split (M10)	1	2
8	D	1177626-NLA	NLA - Kit, Index Plate w /Hardware	1	1
21			Washer (10.5 x 20 x 2mm)	1	2
22			Index Plate Assembly	1	1
23			Locknut (M10 x 1.5mm)	1	2
9	E	1177627-NLA	NLA - Kit, Handle Mount	1	1
24			Handle, Mount	1	1
25			Spring, Compression (1 x 1-1/16 x 1/8")	1	1
26			Screw, Shoulder Hex Socket Head w/ Patch (1/2" x 1-1/4", 3/8-16)	1	1
10	F	1177629-NLA	NLA - Kit, Linkage (Pair)	1	1
27			Screw, Socket Button Head w/ Patch (M8 x 1.25 x 25mm)	1	4
28			Tie Rod Assembly	1	2
11	G	1177628	NLA - Kit, Handle w /Grip	1	1
29			Handle	1	1
30			Grip, Cane	1	1

Manual Lift - Base

NOTE: All fasteners must be torqued to IFI/DIN standards.

NOTE: A - Includes items 12-14 and 23.
B - Includes items 15-17 and 23.
C - Includes items 18-21.
D - Includes items 21-23.
E - Includes items 24-26.
F - Includes items 27-28.
G - Includes items 29-30.

Invacare Corporation

www.invacare.com



Yes, you can.

One Invacare Way
Elyria, Oh USA
44036-2125
800-333-6900

Technical Support
800-832-4707
Customer Service
800-333-6900

Literature Orders
800-333-6900

© 2022 Invacare Corporation. All rights reserved. Republication, duplication or modification in whole or in part is prohibited without prior written permission from Invacare. Trademarks are identified by TM and ©. All trademarks are owned by or licensed to Invacare Corporation or its subsidiaries unless otherwise noted. (Revised 08/31/22)

Form No. 12-678