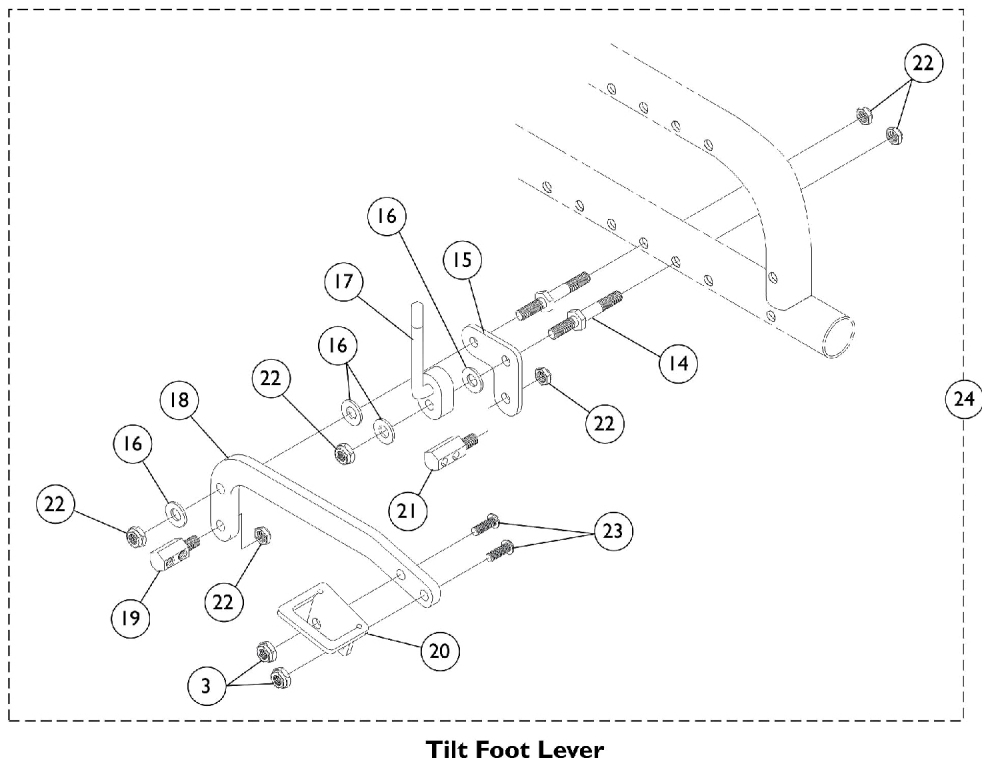
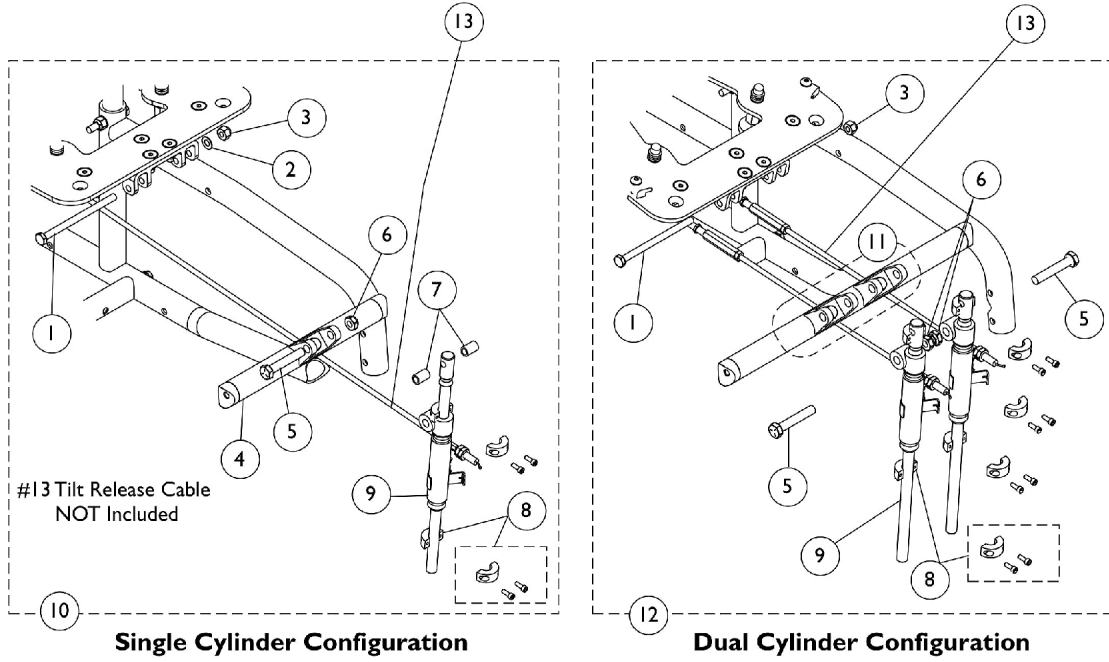


Tilt Mechanism



Tilt Mechanism

Item Number	Note	Part Number	Description	Quantity Per	
				Package	Assembly
1		1071165-NLA	NLA - Screw, Hex Head (1/4-28 x 3-3/4")	1	1
2		1002104-NLA	NLA - Washer, Flat (1/4 x 1/2 x 1/16")	1	1
3	A	1065362	Locknut (1/4-28)	1	2
4		1071842-NLA	NLA - Bracket, Cylinder Mounting, Black (Single Cylinder)	1	2
5		1044939-NLA	NLA - Screw, Hex Head (5/16-18 x 1-3/4")	1	2
6	B	1028769	Locknut (5/16-18)	1	2
7		1073897-NLA	NLA - Spacer (1/4 x 3/8 x 9/16")	1	2
8	B	1073707	Clamp, Cylinder with Screws	1	4
9	B	1037658	Cylinder, Lock, Silver - Left	1	2
10	C	1073709	Single Cylinder Tilt Assembly	1	1
11	G	1071979-NLA	NLA - Kit, Cylinder Mounting Bracket Hardware - Dual Cylinder	1	1
12	D	1073710	Dual Cylinder Tilt Assembly	1	1
13	E	1073876	Cable, Tilt Release	1	1
14		1073837-NLA	NLA - Pin, Locking	1	2
15		1072026-NLA	NLA - Plate, Mounting	1	1
16		1026103	Washer, Nylon (1/4 x 1/2 x 1/32")	1	4
17		1076398-NLA	NLA - Foot Lever Lock Assembly, Black	1	1
18		1072027-NLA	NLA - Bracket, Foot Pedal, Black	1	1
19		1074778-NLA	NLA - Bolt, Cable (Front)	1	1
20		1072025-NLA	NLA - Pedal, Foot, Black	1	1
21		1082617-NLA	NLA - Bolt, Cable (Rear)	1	1
22		1025765	Locknut (1/4-28)	1	6
23		1055305-NLA	NLA - Screw, Socket Button Head (1/4-28 x 3/4")	1	2
24	F	1071169-NLA	NLA - Tilt Foot Lever Assembly	1	1

NOTE: A - 1 ea. required for items 10 and 12. 2 ea. required for item 24.
B - Quantity per assembly figures shown are for the Dual Cylinder configuration. Refer to image for quantities on Single Cylinder configuration.
C - Includes items 1-9. Does not include item 13.
D - Includes items 1,3,5,6,8,9, and 11. Does not include item 13.
E - Not included with items 10 or 12.
F - Includes items 3, 14-23.
G - Includes 2 ea. Screws (1/4-28 x 1-1/2"), 2 ea. Cylinder Brackets, 2 ea. Washers, and 2 ea. Locknuts (1/4-28).