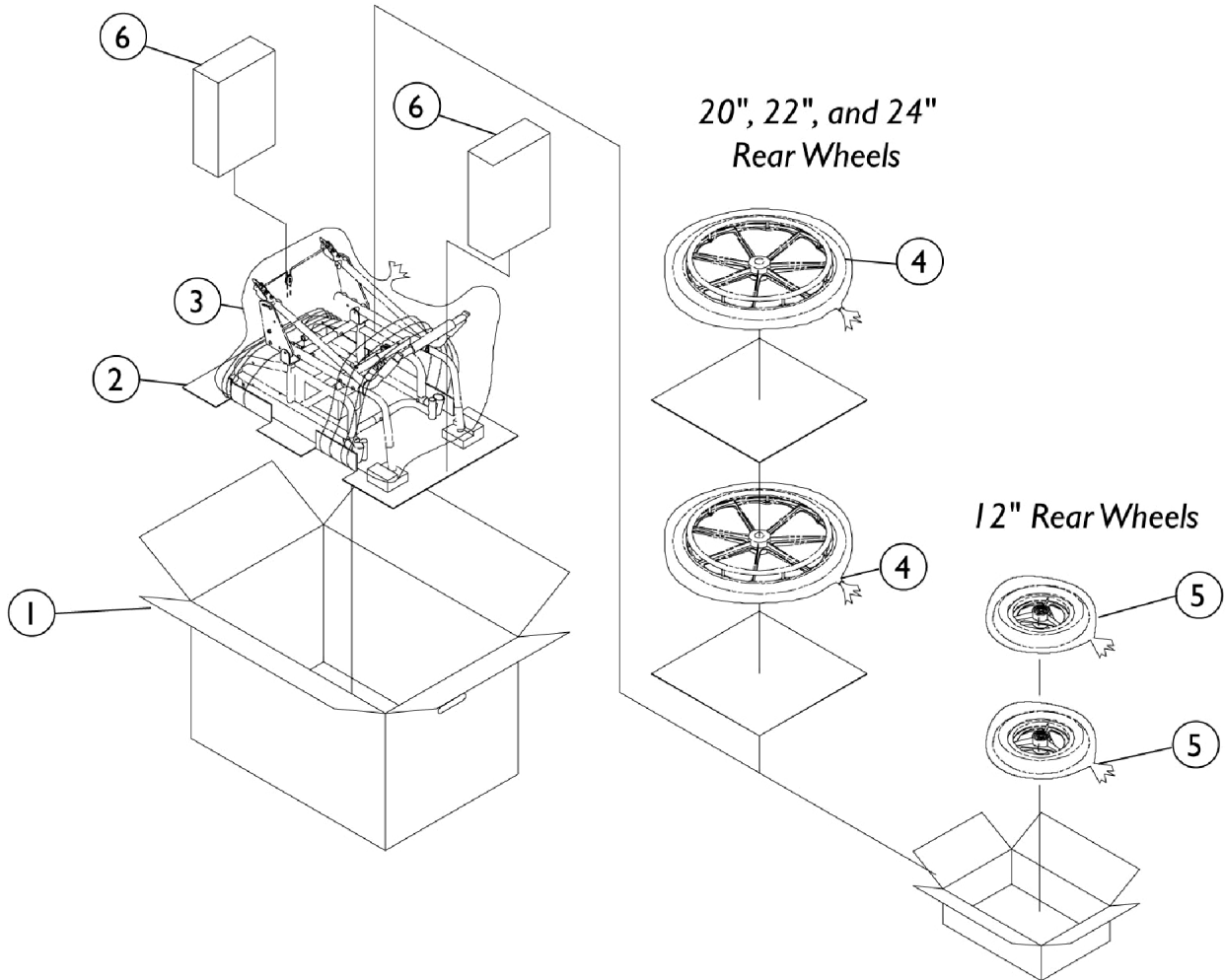


Packaging - Literature - Decals



Packaging - Literature - Decals

Item Number	Note	Part Number	Description	Quantity Per	
				Package	Assembly
1		1045583-NLA	NLA - Carton, Shipper	1	1
2		1049222-NLA	NLA - Insert, Bottom Pad	1	1
3		1015592	Bag, Poly (72" L x 35" W x 19" D)	1	1
4	A	1026111-NLA	NLA - Bag, Poly	1	2
5	B	1021866-NLA	NLA - Bag, Poly (26" L x 15" W)	1	1
6		40131X011-NLA	NLA - Carton, Front Riggings	1	2
	C	1073955	Owner's Manual	1	1
	C	1073845-NLA	NLA - Decal, Black - Orbit	1	1
	C	1074077-NLA	NLA - Decal, White - Orbit	1	1
	C	1095497	Decal, Invacare Logo (1.6)	1	1
	C	1120033-NLA	NLA - Decal, Warning	1	1
	C	1035900	Decal, Transportation	1	1
	C	See Chart	Packaging, Literature, and Decals	1	1
NOTE: A - 20", 22", and 24" Rear Wheels B - 12" Rear Wheels C - Not Shown					

When adjusting or replacing parts please refer to your Owner's Manual for assistance.