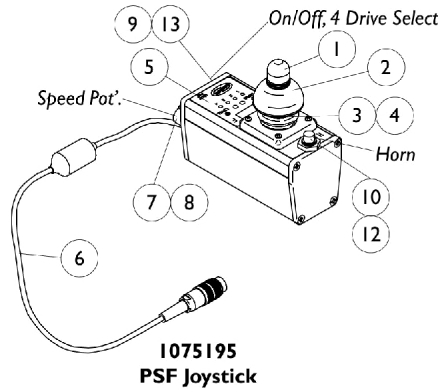


MKIV Joysticks

PSF and PSR

NOTE: PSR STANDARD joystick configuration below show the on/off switch on the left side for part # 1075196. When the on/off switch is required on the right side, refer to part number 8881075196 and order as a configured part.



STANDARD: This PSR joystick includes a toggle on/off combined with a drive select and a push button horn. No speed selector.

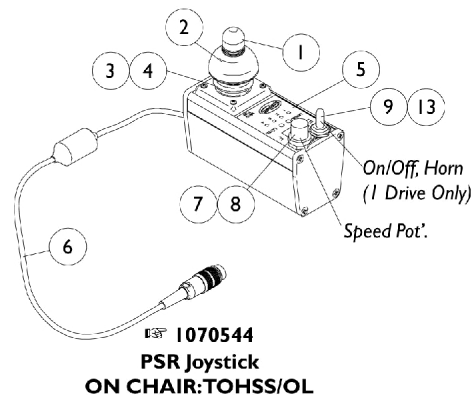
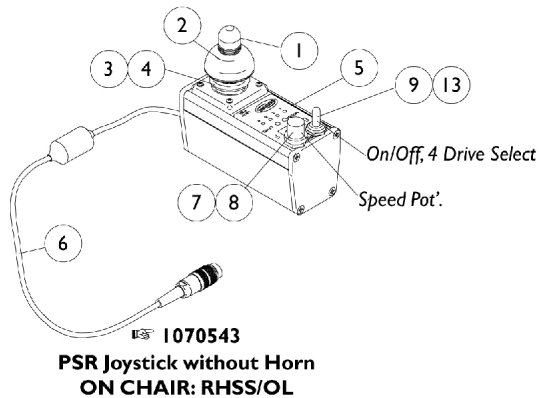
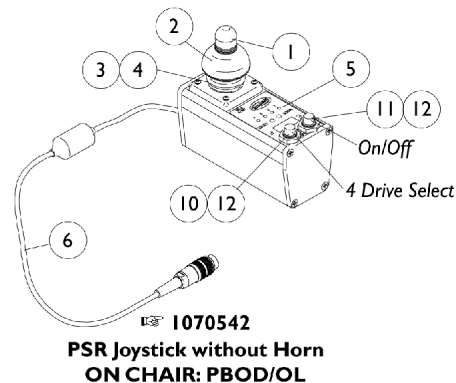
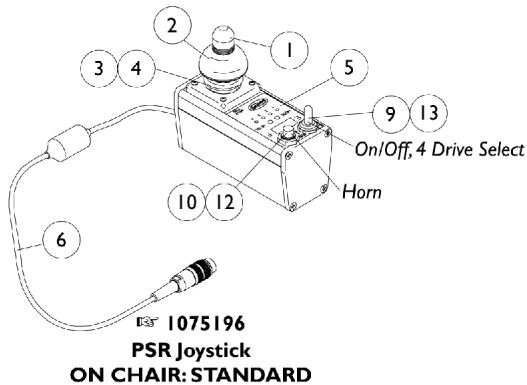
PBOD: This PSR joystick includes push button on/off with a push button drive select. This gives you access to the four drives, but no horn and no speed select.

RHSS: This PSR joystick replaces the horn with a speed selector. This allows you to deviate from having a horn to having a speed select dial, plus the drive selector to the four drives.

TOHSS: This PSR joystick includes a toggle on/off with horn and a speed select dial. You have access to only one drive.

OL: On/Off positioned on left side of the PSR joystick.

OR: On/Off positioned on right side of the PSR joystick.



MKIV Joysticks

PSF and PSR

NOTE: PSR STANDARD joystick configuration below show the on/off switch on the left side for part # 1075196. When the on/off switch is required on the right side, refer to part number 8881075196 and order as a configured part.

Item Number	Description	PS Before 12/1/97	PSF After 11/30/97	PSR After 11/30/97
See Pictorial	Joystick Assembly	N/A	N/A	1075196-NLA
See Pictorial	Joystick Assembly	1058468-NLA	1075195-NLA	8881075196
See Pictorial	Joystick Assembly	N/A	N/A	1070542-NLA
See Pictorial	Joystick Assembly	N/A	N/A	1070543-NLA
See Pictorial	Joystick Assembly	N/A	N/A	1070544-NLA
1	Knob, Joystick	1040217	1040217	1040217
2	Skirt, Joystick	1040218	1040218	1040218
3	Inductive, Joystick	1036764-NLA	1036764-NLA	1036764-NLA
4	Boot, Joystick	50000X364-NLA	50000X364-NLA	50000X364-NLA
5	Overlay, Joystick Decal	1058460-NLA	1075034-NLA	1079925-NLA
6	Cable Assembly	1036750-NLA	1036750-NLA	1036750-NLA
7	Potentiometer Speed	N/A	1040225-NLA	1040225-NLA
8	Knob Potentiometer	N/A	1025516-NLA	1025516-NLA
9	Switch, On/Off Momentary	1040185-NLA	1040185-NLA	1040185-NLA
10	Switch, Push Button SPST Momentary	N/A	1010047-NLA	1010047-NLA
11	Switch, Push Button SPST	N/A	N/A	1010048-NLA
12	Boot, Switch	N/A	1010049-NLA	1010049-NLA
13	Boot, Switch	1058464-NLA	1058464-NLA	1058464-NLA