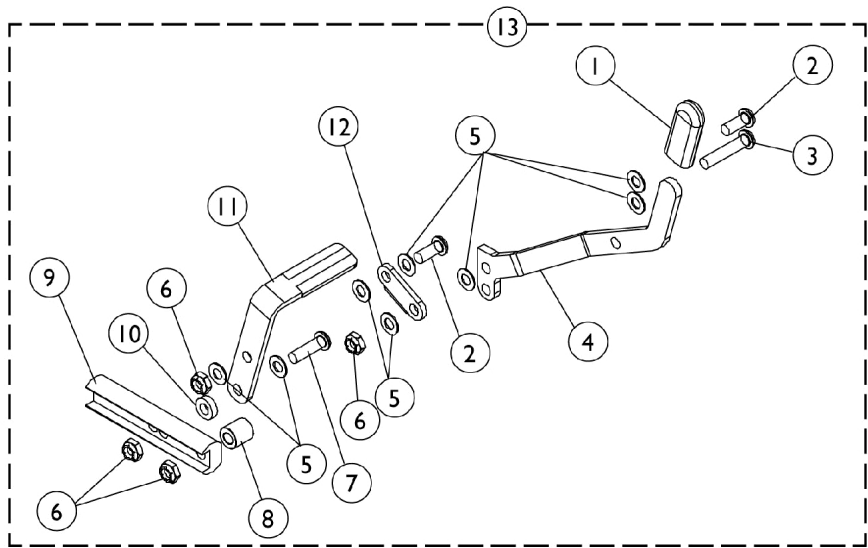
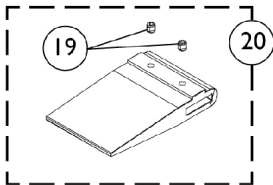
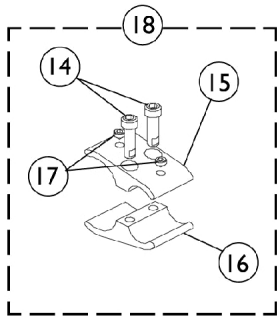


# Wheel Locks

20", 22", and 24" Rear Wheels



## Wheel Locks

### 20", 22", and 24" Rear Wheels

Item Number	Note	Part Number	Description	Quantity Per	
				Package	Assembly
1		1006490	Tip, Plastic, Black	1	1
2		1055304	Screw, Socket Button Head (1/4-28 x 5/8")	1	2
3		1059284-NLA	NLA - Screw, Socket Button Head (1/4-28 x 1-1/4")	1	1
4		1059345-NLA	NLA - Handle, Wheel Lock, Black - Right	1	1
4		1059346-NLA	NLA - Handle, Wheel Lock, Black - Left	1	8
5		1026103	Washer, Nylon (1/4 x 1/2 x 1/32")	1	4
6		1025765	Locknut (1/4-28)	1	1
7		1055306-NLA	NLA - Screw, Button Head Cap (1/4-28 x 7/8")	1	1
8		1020363-NLA	NLA - Spacer (1/4 x 1/2 x 1/2")	1	1
9		1080551-NLA	NLA - Strap, Wheel Lock	1	1
10		1028411-NLA	NLA - Spacer (1/4 x 1/2 x 5/32")	1	1
11		1021405-NLA	NLA - Shoe, Wheel Lock	1	1
12		1018727-NLA	NLA - Link, Stop, Black	1	1
13		1083090	Wheel Lock Assembly - Right	1	1
13		1083091	Wheel Lock Assembly - Left	1	1
14		90036X000-NLA	NLA - Screw, Allen Head (1/4-28 x 1")	1	2
15		1079550-NLA	NLA - Clamp, Non-Threaded	1	1
16		1079551-NLA	NLA - Clamp, Threaded	1	1
17		1101207-NLA	NLA - Screw, Set Socket Cone Point (1/4-20 x 1/4")	1	2
18		1085266-NLA	NLA - Wheel Lock Clamp Hardware	1	2
19		1008438	Screw, Set Socket Cup Point (#8-32 x 3/16")	1	2
20	A	1037421	Kit, Wheel Lock Shoe Spacer, 20" Rear Wheels (Pair)	2	1
			Spacer, Wheel Lock Shoe (2-63/64")	1	2
			Screw, Set Socket Cup Point (#8-32 x 3/16")	1	4

NOTE: A - Used on 20", 22" and 24" Rear Wheels (3" Long)