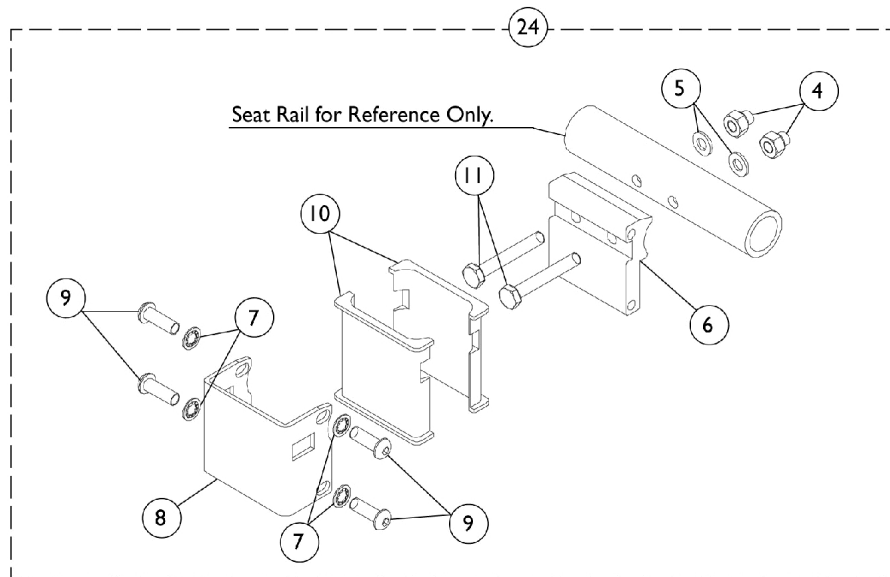
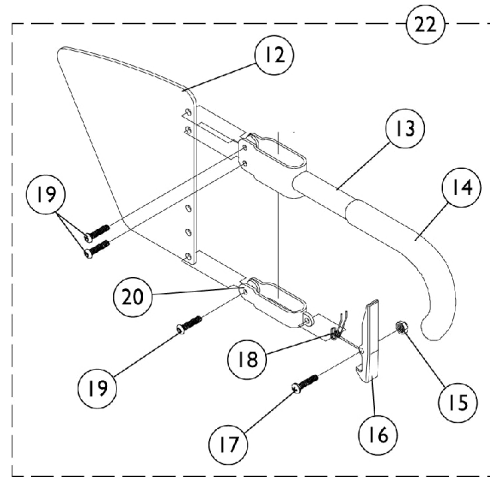
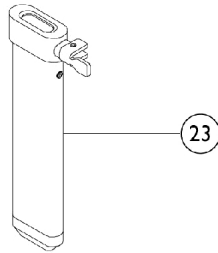
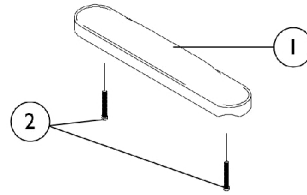
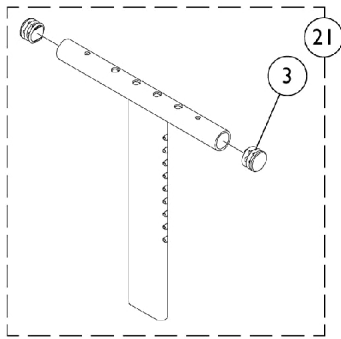


# "T" Arm and Hardware



## "T" Arm and Hardware

Item Number	Note	Part Number	Description	Quantity Per	
				Package	Assembly
1	A	8881053570	Kit, Arm Pad w/ Screws, Desk Length (Pair)	2	1
1	A	8881053571	Kit, Arm Pad w/ Screws, Full Length (Pair)	2	1
2		1055205	Package, Screw Phillips Pan Head (#10-32 x 1-3/8")	2	1
3		1027095	Plug Button, Black (7/8")	1	2
4	B	1085111	Nut, Hex (1/4-28)	1	3
5	B	1026907	Washer (1/4 x 1/2 x 1/16")	1	2
6		1069629-NLA	NLA - Bracket, T-Arm Socket, Threaded, Black	1	1
7		1026108	Lockwasher (1/4 x 15/32 x 1/64")	1	4
8		1069620-NLA	NLA - Bracket, Socket, Black	1	1
9		1055305-NLA	NLA - Screw, Socket Button Head (1/4-28 x 3/4")	1	4
10		1069609	Insert, Arm Socket, Black	1	2
11	B	1055348	Screw, Hex Head (1/4-28 x 1-3/4")	1	2
12		1069652-NLA	NLA - Guard, Clothing, Low Range	1	1
12		1069651-NLA	NLA - Guard, Clothing, High Range	1	1
13		1069634	Tube, Support, Low Range, Black - Right	1	1
13		1073247-NLA	NLA - Tube, Support, Low Range, Black - Left	1	1
13		1069650-NLA	NLA - Tube, Support, High Range, Black - Right	1	1
13		1073246	Tube, Support, High Range, Black - Left	1	1
14		1028427	Grip, Foam	1	1
15		1025731	Locknut (#10-32)	1	1
16		1076839-NLA	NLA - Lever, Locking	1	1
17		1025716	Screw, Phillips Pan Head (#10-32 x 11/16")	1	1
18		1073196-NLA	NLA - Spring, Torsion	1	1
19		1006773-NLA	NLA - Screw, Socket Button Head (1/4-20 x 1/2")	1	1
20		1075069-NLA	NLA - Clamp, Clothing Guard - Right	1	1
20		1075070-NLA	NLA - Clamp, Clothing Guard - Left	1	1
21		1069639	T-Arm Assembly w/ Plug Buttons, Desk Length, Low Range, Black	1	1
21		1069643	T-Arm Assembly w/ Plug Buttons, Full Length, Low Range, Black	1	1
21		1069641	T-Arm Assembly w/ Plug Buttons, Desk Length, High Range, Black	1	1
21		1069645	T-Arm Assembly w/ Plug Buttons, Full Length, High Range, Black	1	1
22		1073424	Kit, Clothing Guard, Low Range - Right	1	1
22		1073425	Kit, Clothing Guard, Low Range - Left	1	1
22		1073422	Kit, Clothing Guard, High Range - Right	1	1
22		1073423	Kit, Clothing Guard, High Range - Left	1	1
23		1069635	Post, Arm, Low Range	1	1
23		1069637	Post, Arm, High Range	1	1
24	C	1069632	Arm Socket Assembly, Bolt On	1	1
24	D	1069627-NLA	NLA - Arm Socket Assembly, Clamp On	1	1
		See Chart	"T" Arm Kits	1	1

NOTE: A - Specify U67 upholstery color when ordering.  
 B - Items 4, 5, and 11 must be ordered together for chairs manufactured before 8/13/99 due to a change in hardware.  
 C - After 7/14/97  
 D - Before 7/15/97

# "T" Arm and Hardware

## "T" Arm Kits

Kits Include Items 1,2,21-23

8881074078	Desk Length, Pediatric (1 Pair)
8881074079	Desk Length, Adult (1 Pair)
8881074080	Full Length, Pediatric (1 Pair)
8881074081-NLA	Full Length, Adult (1 Pair)

Specify U67 upholstery color when ordering.