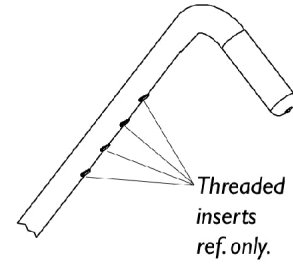
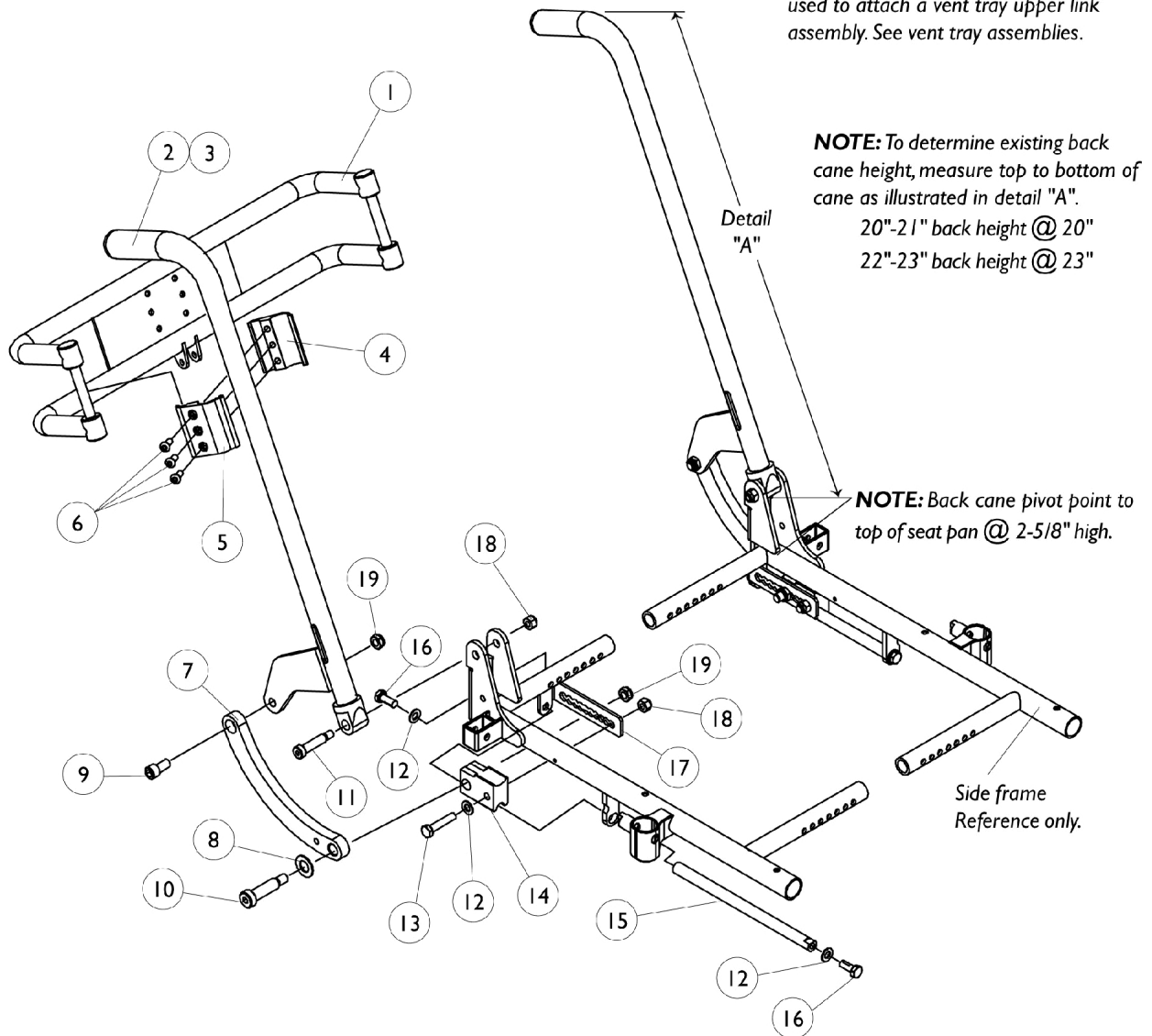


(7/8" Round) Back Cane & Spreader Bar Assembly Tilt Only (2GT)



NOTE: Back cane threaded inserts are used to attach a vent tray upper link assembly. See vent tray assemblies.



(7/8" Round) Back Cane & Spreader Bar Assembly Tilt Only (2GT)

Item #1 Spreader Bar

16"W	17"W	18"W	19"W	20"W	21"W	22"W
0013602	0013702	0013802	0013902	0014002	0014102	0014202

Item #2 Back Canes

Back Height

Side	20-21"H	22-23"H	24-25"H	26"H
Right	1103008-NLA See Note(s) A	1104726-NLA	1104728-NLA	1104730-NLA
Left	1103009-NLA See Note(s) A	1104727-NLA	1104729-NLA	1104731-NLA

NOTE: A - Due to a manufacturing change, 20" and 21" back height canes are made approximately 3" shorter for systems made 9/17/01. Back canes must be ordered in pairs to prevent one cane from being shorter than the other for systems made before 9/18/01.

Item Number	Note	Part Number	Description	Quantity Per	
				Package	Assembly
1		See Chart	#1 Spreader Bar	1	1
2		See Chart	#2 Back Canes	1	2
3		1086460	Grip, Foam, Hand (4-1/2" L)	1	2
4		0190722	Half Clamp, Un-Threaded Holes (7/8" Dia. Back Canes)	1	2
5		0190822	Half Clamp, Threaded Holes (7/8" Dia. Back Canes)	1	2
6		1007219	Screw, Socket Head (1/4-20 x 5/8")	1	6
7		1099540-NLA	NLA - Link, Curved, Tilt, Black - Right	1	1
7		1099541-NLA	NLA - Link, Curved, Tilt, Black - Left	1	1
8		1031673-NLA	NLA - Washer, Nylon (35/64 x 1 x 1/16")	1	2
9		1099527-NLA	NLA - Screw, Socket Head (3/8-16 x 3/4")	1	2
10		1021851-NLA	NLA - Bolt, Socket Head Shoulder (1/2 x 1-1/2")	1	2
11		1062604	Screw, Shoulder Hex Socket (3/8 x 1-1/4", 5/16-18)	1	2
12		1025704	Washer, Flat (5/16 x 5/8 x 1/16")	1	6
13		1070398-NLA	NLA - Screw, Hex Head (5/16-18 x 1-1/2")	1	2
14		1082725-NLA	NLA - Block, Slide	1	2
15		1082724-NLA	NLA - Rod, Slide	1	2
16		1039860	Screw, Hex Head w/ Patch (5/16-18 x 3/4")	1	2
17		1087014-NLA	NLA - Bracket, Connecting, Black - Right	1	1
17		1087015-NLA	NLA - Bracket, Connecting, Black - Left	1	1
18		1026158	Locknut (5/16-18)	1	4
19		40363X000	Hex Nut (3/8"-16)	1	4