

# A.B.S. Curved Back w/o Mounting Hardware

## Tilt Only (2GT)

(After 10/31/00)

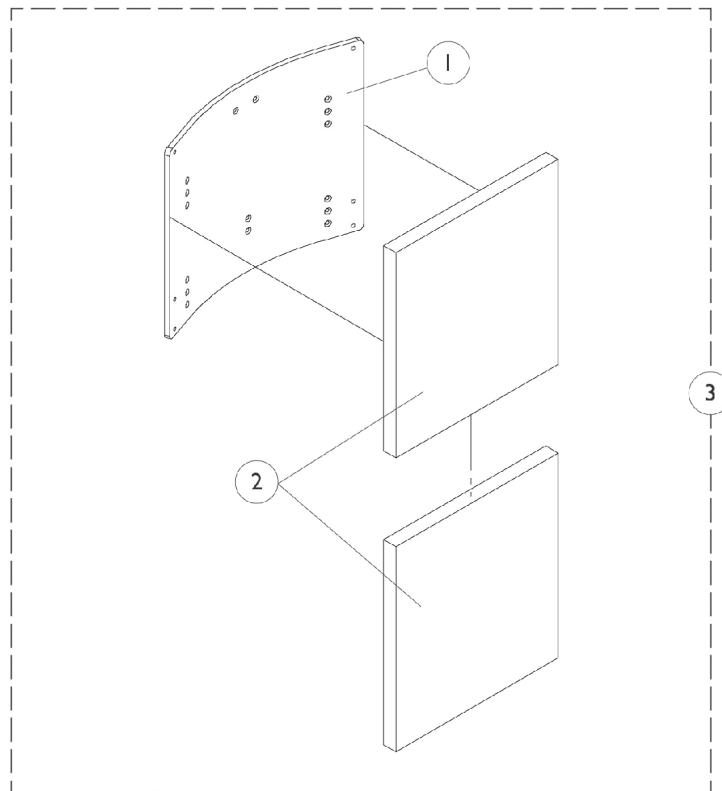
**NOTE:** Wheelchairs with serial number dated for 2005 and after, call a Customer Service Parts Specialist for additional information on ordering a warranty ABS Back Pan replacement.

**NOTE:** Overall back height is calculated by measuring from the seat pan surface to the top of the back pan. Back pan material height can be calculated by subtracting 3-3/4" from the overall back height listed. Material height listed is rounded off to the nearest whole number.

**NOTE:** After 10/31/00 spacing between the seat pan and the lower side of the back pan was decreased 3" by adding 3" to the back pan material. Overall back height did not change.

**NOTE:** A.B.S. curved backs do not retrofit to the 7/8" round canes. Key slotted back canes and back attaching hardware must be ordered.

**NOTE:** Hook Fastener Adhesive Kit must be ordered when a Back Pan or Back Assembly is requested. This will allow the Loop Fastener Adhesive on the Back Cover to attach properly.



# A.B.S. Curved Back w/o Mounting Hardware

## Tilt Only (2GT)

### (After 10/31/00)

**NOTE:** Wheelchairs with serial number dated for 2005 and after, call a Customer Service Parts Specialist for additional information on ordering a warranty ABS Back Pan replacement.

**NOTE:** Overall back height is calculated by measuring from the seat pan surface to the top of the back pan. Back pan material height can be calculated by subtracting 3-3/4" from the overall back height listed. Material height listed is rounded off to the nearest whole number.

**NOTE:** After 10/31/00 spacing between the seat pan and the lower side of the back pan was decreased 3" by adding 3" to the back pan material. Overall back height did not change.

**NOTE:** A.B.S. curved backs do not retrofit to the 7/8" round canes. Key slotted back canes and back attaching hardware must be ordered.

**NOTE:** Hook Fastener Adhesive Kit must be ordered when a Back Pan or Back Assembly is requested. This will allow the Loop Fastener Adhesive on the Back Cover to attach properly.

Item Number	Note	Part Number	Description	Quantity Per	
				Package	Assembly
1		See Chart	#1 Back Pan 16" Wide - 19" Wide	1	1
1		See Chart	#1 Back Pan 20" Wide - 22" Wide	1	1
2		See Chart	#2 Back Cushion Assembly 16" Wide - 19" Wide	1	1
2		See Chart	#2 Back Cushion Assembly 20" Wide - 22" Wide	1	1
3		See Chart	#3 Back Assembly w/o Hardware 16" Wide - 19" Wide	1	1
3		See Chart	#3 Back Assembly w/o Hardware 20" Wide - 22" Wide	1	1
	A	1125723	Kit, Hook Fastener w/ Adhesive Back	1	1

**NOTE:** A - Not Shown. Hook Fastener Adhesive Kit is used to attach the Back Cover to the Back Pan and must be ordered when a new Back Pan or Back Assembly is requested.

# A.B.S. Curved Back w/o Mounting Hardware

## Tilt Only (2GT)

### (After 10/31/00)

**NOTE:** Wheelchairs with serial number dated for 2005 and after, call a Customer Service Parts Specialist for additional information on ordering a warranty ABS Back Pan replacement.

**NOTE:** Overall back height is calculated by measuring from the seat pan surface to the top of the back pan. Back pan material height can be calculated by subtracting 3-3/4" from the overall back height listed. Material height listed is rounded off to the nearest whole number.

**NOTE:** After 10/31/00 spacing between the seat pan and the lower side of the back pan was decreased 3" by adding 3" to the back pan material. Overall back height did not change.

**NOTE:** A.B.S. curved backs do not retrofit to the 7/8" round canes. Key slotted back canes and back attaching hardware must be ordered.

**NOTE:** Hook Fastener Adhesive Kit must be ordered when a Back Pan or Back Assembly is requested. This will allow the Loop Fastener Adhesive on the Back Cover to attach properly.

#### #1 Back Pan 16" Wide - 19" Wide

Overall Back Height	Material Back Height	16" W	17" W	18" W	19" W
20"	16"	1086049-NLA	1086050-NLA	1086051-NLA	1086052-NLA
21"	17"	1086056-NLA	1086057-NLA	1086058-NLA	1086059-NLA
22"	18"	1086063-NLA	1086064-NLA	1086065-NLA	1086066-NLA
23"	19"	1086070-NLA	1086071-NLA	1086072-NLA	1086073-NLA
24"	20"	1086077-NLA	1086078-NLA	1086079-NLA	1086080-NLA
25"	21"	1086084-NLA	1086085-NLA	1086086-NLA	1086087-NLA

**NOTE:** Wheelchairs with serial number dated for 2005 and after, call a Customer Service Parts Specialist for additional information on ordering a warranty ABS Back Pan replacement.

#### #1 Back Pan 20" Wide - 22" Wide

Overall Back Height	Material Back Height	20" W	21" W	22" W
20"	16"	1086053-NLA	1086054-NLA	1086055-NLA
21"	17"	1086060-NLA	1086061-NLA	1086062-NLA
22"	18"	1086067-NLA	1086068-NLA	1086069-NLA
23"	19"	1086074-NLA	1086075-NLA	1086076-NLA
24"	20"	1086081-NLA	1086082-NLA	1086083-NLA
25"	21"	1086088-NLA	1086089-NLA	1086090-NLA

**NOTE:** Wheelchairs with serial number dated for 2005 and after, call a Customer Service Parts Specialist for additional information on ordering a warranty ABS Back Pan replacement.

# A.B.S. Curved Back w/o Mounting Hardware

## Tilt Only (2GT)

### (After 10/31/00)

**NOTE:** Wheelchairs with serial number dated for 2005 and after, call a Customer Service Parts Specialist for additional information on ordering a warranty ABS Back Pan replacement.

**NOTE:** Overall back height is calculated by measuring from the seat pan surface to the top of the back pan. Back pan material height can be calculated by subtracting 3-3/4" from the overall back height listed. Material height listed is rounded off to the nearest whole number.

**NOTE:** After 10/31/00 spacing between the seat pan and the lower side of the back pan was decreased 3" by adding 3" to the back pan material. Overall back height did not change.

**NOTE:** A.B.S. curved backs do not retrofit to the 7/8" round canes. Key slotted back canes and back attaching hardware must be ordered.

**NOTE:** Hook Fastener Adhesive Kit must be ordered when a Back Pan or Back Assembly is requested. This will allow the Loop Fastener Adhesive on the Back Cover to attach properly.

### #2 Back Cushion Assembly 16" Wide - 19" Wide

Overall Back Height	Material Back Height	16" W	17" W	18" W	19" W
20"	16"	1097403	1097404	1097405	1097406
21"	17"	1097410	1097411	1097412	1097413
22"	18"	1097417	1097418	1097419	1097420
23"	19"	1097424	1097425	1097426	1097427
24"	20"	1097431	1097432	1097433	1097434
25"	21"	1097438	1097439	1097440	1097441

Back cover and foam are sold as a back cushion assembly only.

### #2 Back Cushion Assembly 20" Wide - 22" Wide

Overall Back Height	Material Back Height	20" W	21" W	22" W
20"	16"	1097407	1097408	1097409
21"	17"	1097414	1097415	1097416
22"	18"	1097421	1097422	1097423
23"	19"	1097428	1097429	1097430
24"	20"	1097435	1097436	1097437
25"	21"	1097442	1097443	1097444

# A.B.S. Curved Back w/o Mounting Hardware

## Tilt Only (2GT)

### (After 10/31/00)

**NOTE:** Wheelchairs with serial number dated for 2005 and after, call a Customer Service Parts Specialist for additional information on ordering a warranty ABS Back Pan replacement.

**NOTE:** Overall back height is calculated by measuring from the seat pan surface to the top of the back pan. Back pan material height can be calculated by subtracting 3-3/4" from the overall back height listed. Material height listed is rounded off to the nearest whole number.

**NOTE:** After 10/31/00 spacing between the seat pan and the lower side of the back pan was decreased 3" by adding 3" to the back pan material. Overall back height did not change.

**NOTE:** A.B.S. curved backs do not retrofit to the 7/8" round canes. Key slotted back canes and back attaching hardware must be ordered.

**NOTE:** Hook Fastener Adhesive Kit must be ordered when a Back Pan or Back Assembly is requested. This will allow the Loop Fastener Adhesive on the Back Cover to attach properly.

### #3 Back Assembly w/o Hardware 16" Wide - 19" Wide

Overall Back Height	Material Back Height	16" W	17" W	18" W	19" W
20"	16"	1090596-NLA See Note(s) A	1090597-NLA See Note(s) A	1090598-NLA See Note(s) A	1090599-NLA See Note(s) A
21"	17"	1090603-NLA See Note(s) A	1090604-NLA See Note(s) A	1090605-NLA See Note(s) A	1090606-NLA See Note(s) A
22"	18"	1090610-NLA See Note(s) A	1090611-NLA See Note(s) A	1090612-NLA See Note(s) A	1090613-NLA See Note(s) A
23"	19"	1090617-NLA See Note(s) A	1090618-NLA See Note(s) A	1090619-NLA See Note(s) A	1090620-NLA See Note(s) A
24"	20"	1090624-NLA See Note(s) A	1090625-NLA See Note(s) A	1090626-NLA See Note(s) A	1090627-NLA See Note(s) A
25"	21"	1090631-NLA See Note(s) A	1090632-NLA See Note(s) A	1090633-NLA See Note(s) A	1090634-NLA See Note(s) A

**NOTE:** A - No longer available. Must be ordered as separate components, Item 1 (Back Pan) and Item 2 (Back Cushion Assembly).

### #3 Back Assembly w/o Hardware 20" Wide - 22" Wide

Overall Back Height	Material Back Height	20" W	21" W	22" W
20"	16"	1090600-NLA See Note(s) A	1090601-NLA See Note(s) A	1090602-NLA See Note(s) A
21"	17"	1090607-NLA See Note(s) A	1090608-NLA See Note(s) A	1090609-NLA See Note(s) A
22"	18"	1090614-NLA See Note(s) A	1090615-NLA See Note(s) A	1090616-NLA See Note(s) A
23"	19"	1090621-NLA See Note(s) A	1090622-NLA See Note(s) A	1090623-NLA See Note(s) A
24"	20"	1090628-NLA See Note(s) A	1090629-NLA See Note(s) A	1090630-NLA See Note(s) A
25"	21"	1090635-NLA See Note(s) A	1090636-NLA See Note(s) A	1090637-NLA See Note(s) A

# **A.B.S. Curved Back w/o Mounting Hardware**

## **Tilt Only (2GT)**

### **(After 10/31/00)**

**NOTE: Wheelchairs with serial number dated for 2005 and after, call a Customer Service Parts Specialist for additional information on ordering a warranty ABS Back Pan replacement.**

**NOTE: Overall back height is calculated by measuring from the seat pan surface to the top of the back pan. Back pan material height can be calculated by subtracting 3-3/4" from the overall back height listed. Material height listed is rounded off to the nearest whole number.**

**NOTE: After 10/31/00 spacing between the seat pan and the lower side of the back pan was decreased 3" by adding 3" to the back pan material. Overall back height did not change.**

**NOTE: A.B.S. curved backs do not retrofit to the 7/8" round canes. Key slotted back canes and back attaching hardware must be ordered.**

**NOTE: Hook Fastener Adhesive Kit must be ordered when a Back Pan or Back Assembly is requested. This will allow the Loop Fastener Adhesive on the Back Cover to attach properly.**

**NOTE: A - No Longer Available. Must be ordered as separate components, item 1 (Back Pan) and item 2 (Back Cushion Assembly).**