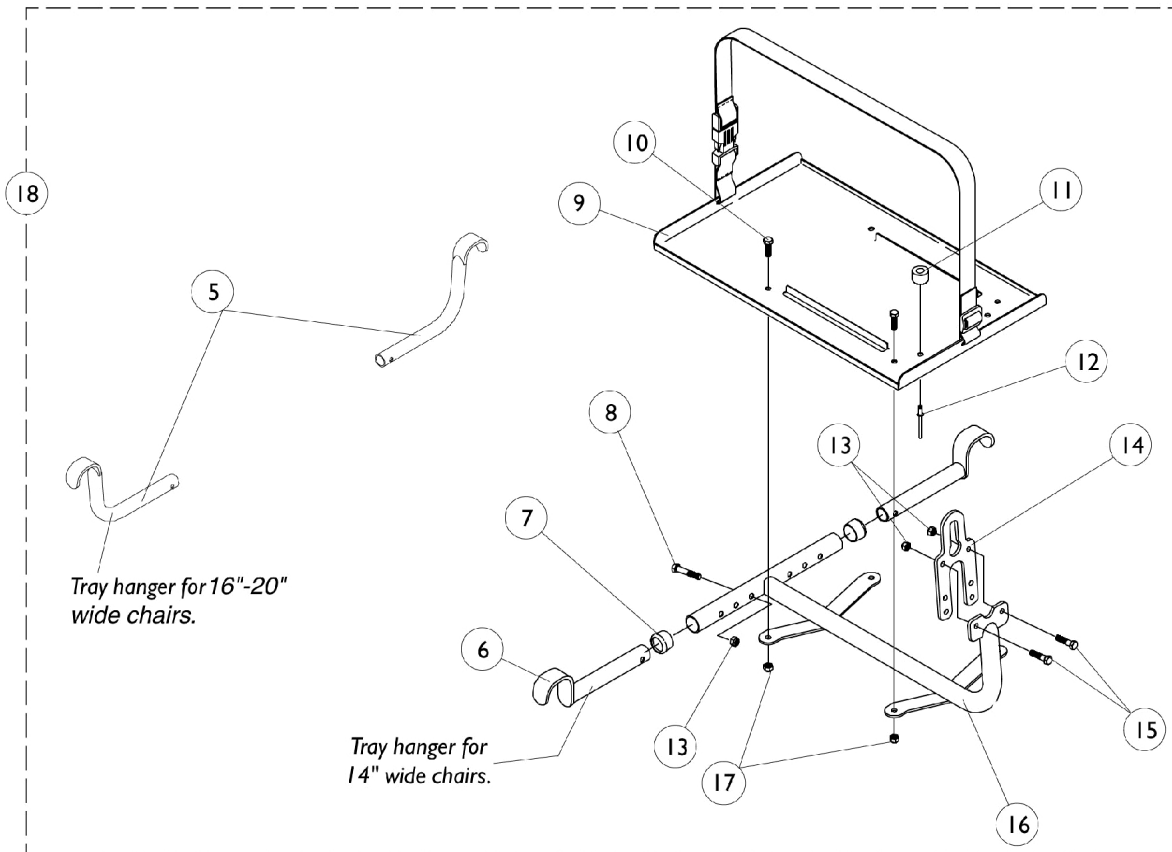
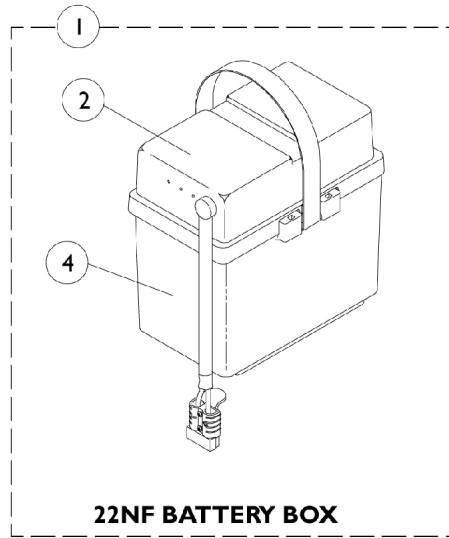
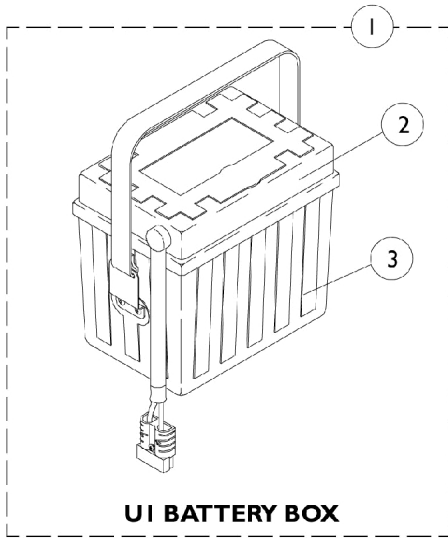


Battery Boxes and Trays

Light Duty, 250-S models use UI batteries with 22NF battery boxes.



Battery Boxes and Trays

Light Duty, 250-S models use UI batteries with 22NF battery boxes.

Item Number	Note	Part Number	Description	Quantity Per	
				Package	Assembly
1		1057942-NLA	NLA - Battery Box Assembly, Dual w/ Single Extended Connector, UI	1	2
1		1097007	Battery Box Assembly, Rear, 22NF	1	2
2	A,B	1057941-NLA	NLA - Battery Box Top Assembly, Dual w/ Single Extended Connector, UI	1	2
2	A,B	1097003	Battery Box Top, Rear, 22NF	1	2
3		1009268-NLA	NLA - Battery Box Bottom Assembly, U1	1	2
4		1057944	Battery Box Bottom with Strap, 22NF	1	2
5		1057419-NLA	NLA - Bracket, Tray Hanger, Black (16-20" W)	1	2
6		1057939-NLA	NLA - Bracket, Tray Hanger, Black (14" W)	1	2
7		15680X012	Collar, Anti-Rattle (7/8")	1	2
8		1021406	Screw, Hex Head (1/4-20 x 1-1/4")	1	2
9		1057835-NLA	NLA - Tray Assembly with Buckle	1	1
10		1025752-NLA	NLA - Screw, Hex Head (1/4-20 x 1-1/2")	1	4
11		1016025-NLA	NLA - Bumper, Rubber (UI Battery Boxes Only)	1	2
12		1007094-NLA	NLA - Rivet, Pop (3/16") (UI Battery Boxes Only)	1	2
13		1025736	Locknut (1/4-20)	1	1
14		1044066-NLA	NLA - Hanger, Tray	1	1
15		1025708-NLA	NLA - Bolt, Hex Head Cap (1/4-20 x 3/4")	1	1
16		1057421-NLA	NLA - Support, Tray, Sectional	1	1
16		1062463-NLA	NLA - Support, Tray, Recliner	1	1
17		1025195	Locknut (1/4-20)	1	1
18		1057838-NLA	NLA - Battery Tray Assembly, 22NF Battery Boxes (16"-20" W) - Sectional	1	1
18		1062464-NLA	NLA - Battery Tray Assembly, 22NF Battery Boxes, Recliner (16-20" W)	1	1
18		1057839-NLA	NLA - Battery Tray Assembly, UI Battery Boxes, Sectional (14" W)	1	1
18		1062465-NLA	NLA - Battery Tray Assembly, For U1 Battery Boxes, Recliner (14" W)	1	1
	E	50000X166-NLA	NLA - Fuse - Buss 2-1/4" L (60 AMP)	1	1
	E	1089385	Fuse, MIDI (Non-G/B & G/B) (80 AMP)	1	2
	C,E	1060318-NLA	NLA - Hardware, Battery Terminal, UI Batteries (Pair)	2	1
	D,E	1058618-NLA	NLA - Hardware, Battery Terminal, 22NF Batteries (Pair)	2	1

NOTE: A - As of 11/05/99 the battery harness fuse changed from a Bussman 60 AMP to a MIDI 80 AMP fuse. This battery box top is compatible for chairs manufactured before 11/05/99 and must be ordered when a replacement Bussman 60 AMP fuse is requested.
 B - It is recommended that the new terminal hardware be ordered when a new battery box top is ordered.
 C - Hardware includes small battery terminal caps (gray and orange), 1/4-20 x 7/8" hex flange screws, 1/4-20 hex flange nuts, cable ties, locking tab washers and instruction sheet for two batteries.
 D - Hardware includes battery clamps, battery clamp cops (red and black), small battery terminal caps (red and black), 1/4-20 x 7/8" hex flange screws, 1/4-20 hex flange nuts, cable ties and locking tab washers for two batteries.
 E - Not Shown