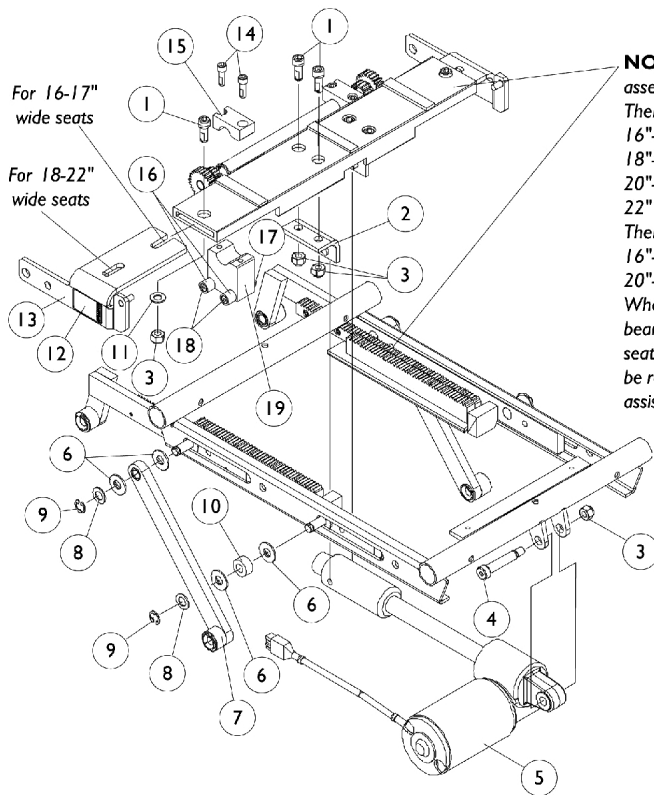
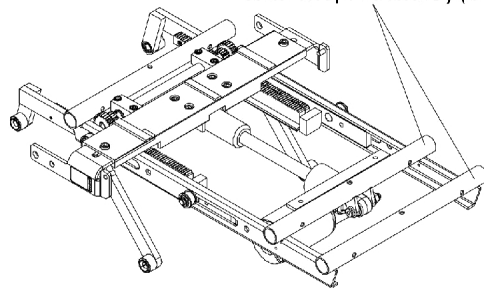


Center Seat Frame Assembly

Tilt/Recline (2GTR)

Center seat frame assembly (long)



For 16-17"
wide seats

For 18-22"
wide seats

NOTE: Cross beam and center seat frame assemblies are non-serviceable parts.
There are four cross beam assemblies.
16"-17" Wide
18"-19" Wide
20"-21" Wide
22" Wide
There are two center seat frame depth assemblies.
16"-19" Deep
20"-22" Deep
When changing the seat width and a new cross beam is required or seat depth and a new center seat frame is required, the complete chair needs to be returned for conversion. Call technical services for assistance (1-800-832-4707).

Center Seat Frame Assembly Tilt/Recline (2GTR)

Item Number	Note	Part Number	Description	Quantity Per	
				Package	Assembly
1		1086944-NLA	NLA - Screw, Socket Head (5/16-18 x 3/4")	1	6
2		1082878-NLA	NLA - Bracket, Acuator Support, Black - Right	1	1
2		1082879-NLA	NLA - Bracket, Actuator Support, Black - Left	1	1
3		1026158	Locknut (5/16-18)	1	7
4		1031665	Screw, Shoulder Hex Socket Head (3/8 x 1-1/2", 5/16-18)	1	1
5		1082750	Actuator Motor Assembly, Recline	1	1
6		1012371	Washer, Nylon (3/8 x 7/8 x 1/16")	1	8
7		1086595-NLA	NLA - Link, Tilt, Black	1	2
8		1065214	Washer, Flat (3/8 x 11/16 x 1/16")	1	4
9		1086930-NLA	NLA - Ring, Retaining (3/8")	1	4
10		1082876-NLA	NLA - Spacer (3/8 x 3/4 x 3/8")	1	2
11		1025704	Washer, Flat (5/16 x 5/8 x 1/16")	1	2
12		1079203	Decal, Warning Pinch Point	1	2
13		1091500-NLA	NLA - Kit, Connecting Slide Bracket w/ Decal, Black - Right	1	1
13		1091501-NLA	NLA - Kit, Connecting Slide Bracket w/ Decal, Black - Left	1	1
14		1098944-NLA	NLA - Screw, Socket Head w/ Patch (1/4-20 x 3/4")	1	4
15		1095352-NLA	NLA - Block, Gear Hold Down Upper	1	2
16		1091503-NLA	NLA - Bushing (1/4 x 1/2 x 7/16")	1	4
17		1026035-NLA	NLA - Locknut (#10-24)	1	4
18		1000212	Screw, Shoulder Hex Socket (1/4 x 1-1/4", #10-24)	1	4
19	A	1095476-NLA	NLA - Dual Roller Assembly - Right	1	1
19	A	1095477-NLA	NLA - Dual Roller Assembly - Left	1	1

NOTE: A - Includes 2 each of items 16-18